

SUBMERSIBLE SOLIDS HANDLING PUMP

Series: **6SWL-DS**

15 - 25 HP @ 1750 RPM

7.5 - 10 HP @ 1150 RPM

Discharge: 6"

Spherical solids handling: 3"



DISCHARGE

6", 125 lb, horizontal flange, slotted to accommodate 150 mm ISO flange.

LIQUID TEMPERATURE

104 °F (40 °C) continuous

VOLUTE

Cast iron ASTM A-48 class 30

MOTOR HOUSING

Cast iron ASTM A-48 class 30

SEAL PLATE

Cast iron ASTM A-48 class 30

IMPELLER

Design: enclosed dual vane with pump-out vanes on back side. Dynamically balanced.

Material: ductile iron ASTM A-536, 65-45-12.

SHAFT

416 series stainless steel

HARDWARE

300 series stainless steel

O-RINGS

Buna-N

LIFTING BAIL

300 series stainless steel

MAX. SUBMERGENCE

66 ft (20 m)

PAINT

Epoxy

DOUBLE MECHANICAL SEAL

Design: tandem, mechanical, in oil filled reservoir.

Material: inboard rotating faces, carbon; stationary faces, ceramic. Outboard rotating and stationary faces, silicon carbide. Buna-N elastomer and 300 series stainless steel hardware.

CORD ENTRY

40 ft cord, epoxy sealed housing, with secondary pressure grommet for sealing and strain relief.

BEARINGS

Upper: ball, single row and oil lubricated, for radial load.

Lower: ball, double row and oil lubricated, for radial and thrust loads.

MOTOR

NEMA three phase 208/230 & 460 V, premium efficiency, oil-filled, squirrel cage induction, inverted duty rated. Class H insulation. Requires overload protection in control panel.

MOISTURE SENSOR

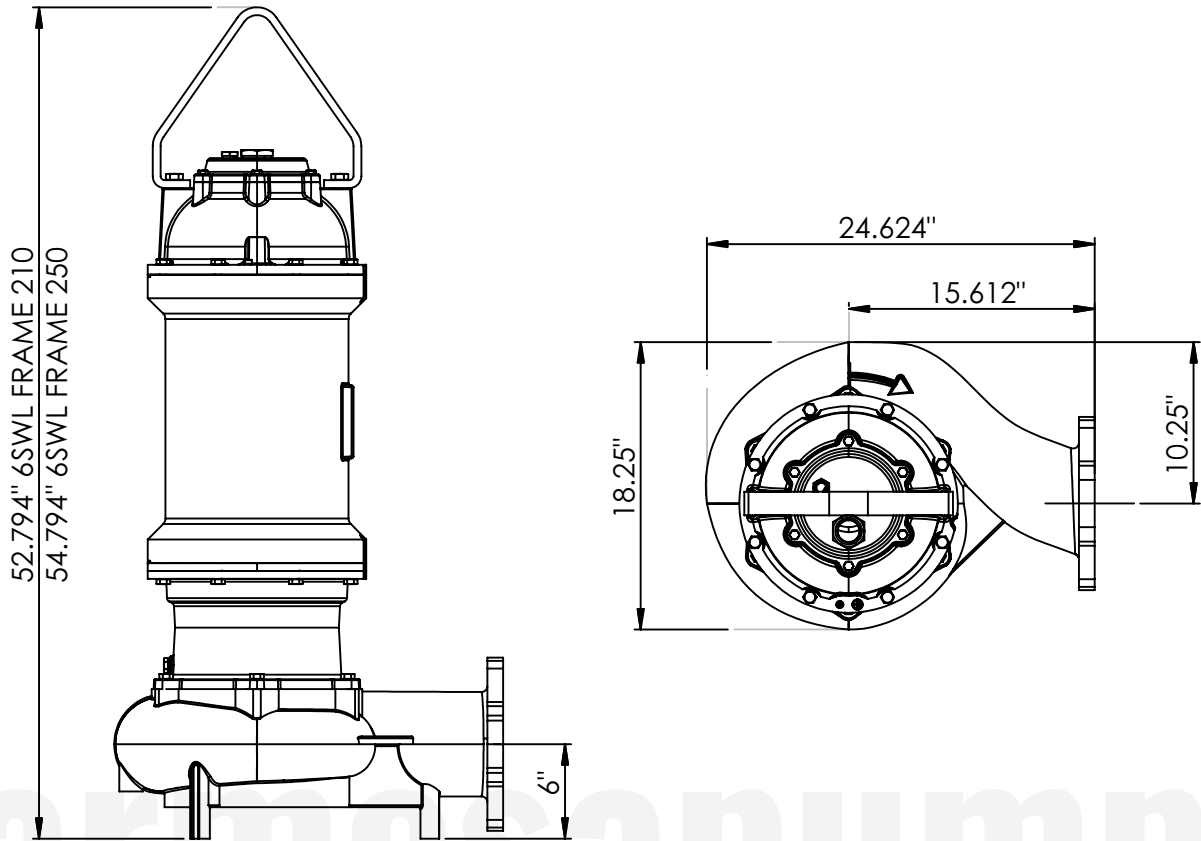
Normally open (N/O), requires relay and panel.

TEMPERATURE SENSOR

Normally closed (N/C), to be wired in series with control circuit.

OPTIONAL EQUIPMENT

Slide rail coupling, leg kit and seal material.

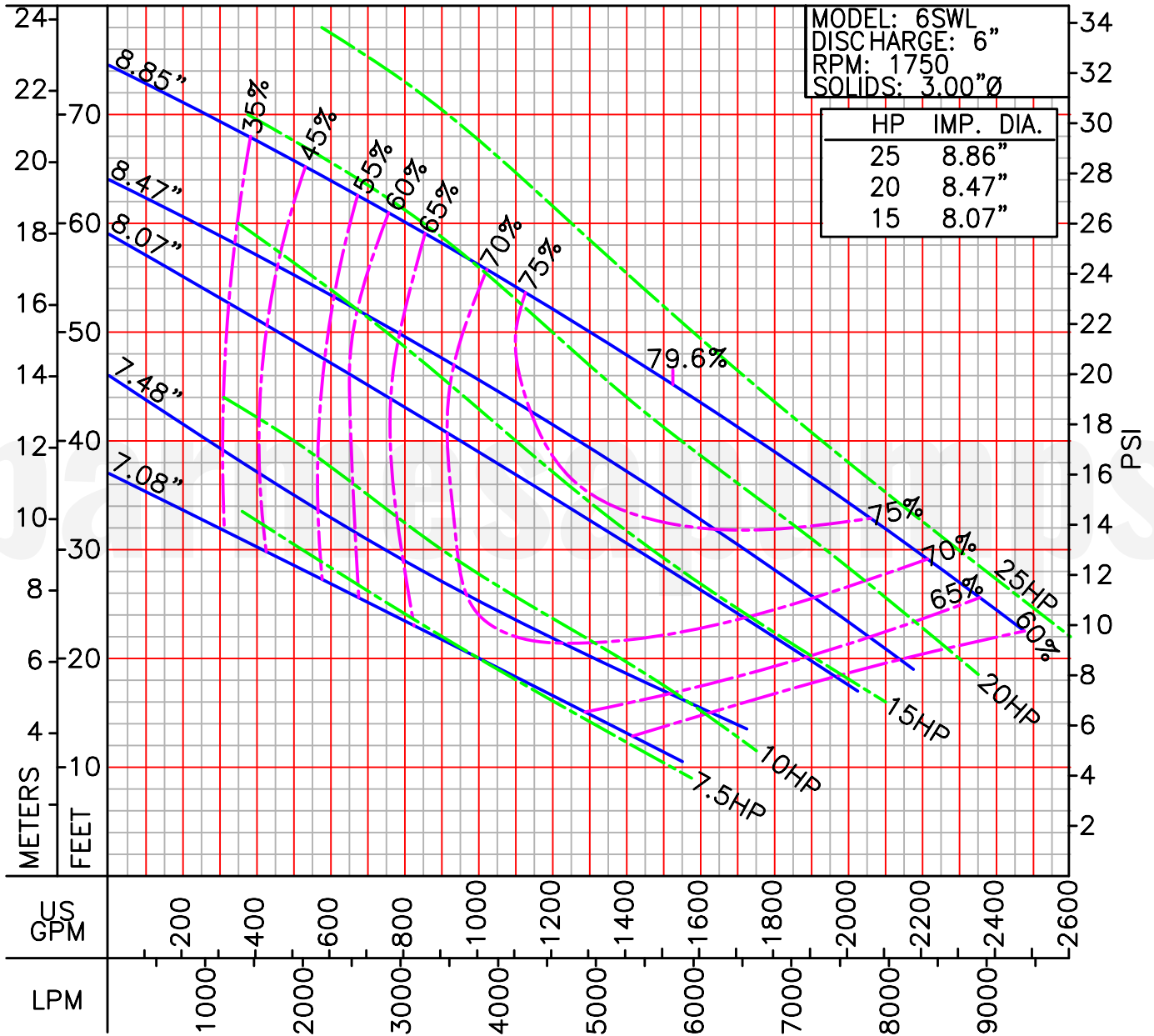


MODEL	PART No.	HP	PH	VOLTS	RPM (nom)	NEMA START CODE	FULL LOAD AMPS	SF	AMPS SF	FRAME	POWER CORD SIZE	WEIGHT (lb)
6SWL15034DS	62172101	15	3	208/230	1750	E	39/37.2	1.15	45/42.8	210	10/4	692
6SWL15044DS	62172102			460			18.6		21.4			
6SWL20034DS	62172103	20	3	208/230	1750	J	52.8/48	1.15	60.7/55	250	8/4	823
6SWL20044DS	62172104			460			24.1		27.3			
6SWL25034DS	62172105	25	3	208/230	1750	G	65/59	1.15	74.8/67.8	250	8/4	847
6SWL25044DS	62172106			460			29.5		34			
6SWL7536DS	62172107	7.5	3	208/230	1150	J	22/20	1.15	23	250	10/4	790
6SWL7546DS	62172108			460			10		11.5			
6SWL10036DS	62172109	10	3	208/230	1150	E	29/27	1.15	37/33	250	10/4	800
6SWL10046DS	62172110			460			13.5		18.4			

Note: Seal moisture and temperature sensor cord in all models size 18/5.

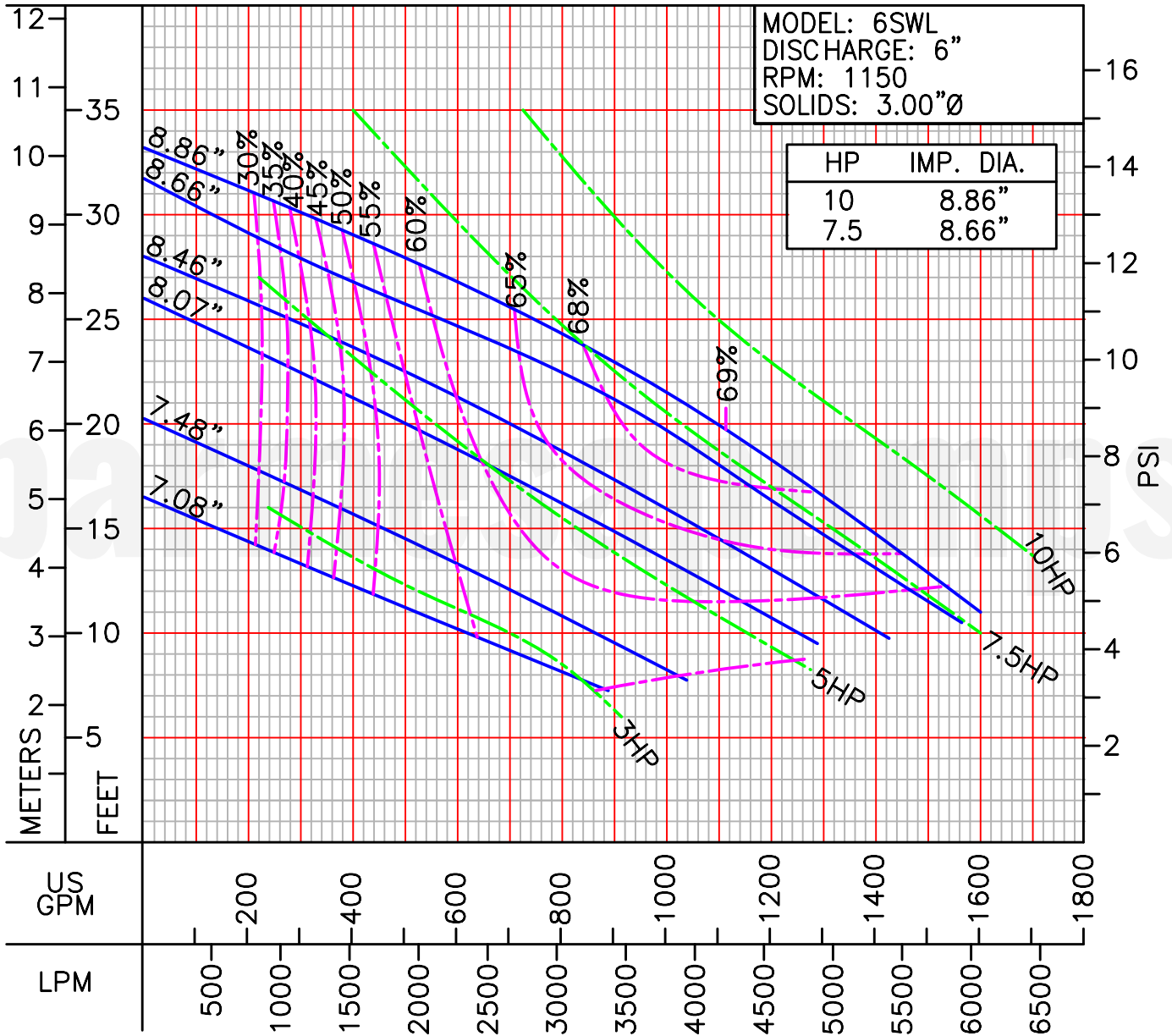
IMPORTANT!

1. Never use this pump to handle explosive liquids.
2. This pump is not approved to be used in swimming pools, recreational installations or any application where human contact may be common.
3. Moisture and temperature sensors must be connected to validate the warranty.
4. This pump is not appropriate for those applications specified as class 1 division 1 hazardous locations.



LIQUID: WATER
SPECIFIC GRAVITY: 1.00

TEMPERATURE: 70° F (21° C)
MAXIMUM DIA. SOLIDS: 3.00"Ø



LIQUID: WATER
SPECIFIC GRAVITY: 1.00

TEMPERATURE: 70° F (21° C)
MAXIMUM DIA. SOLIDS: 3.00"Ø