

# SUBMERSIBLE STAINLESS DEWATERING PUMP

**KLEIN** series

Discharge: 2"

Spherical solids handling: 0.23"

0.5, 1 & 2 HP / 3450 RPM



## DISCHARGE

2" (5.08 cm) NPT female, vertical, bolt on flange. Lost-wax casting 304 AISI stainless steel.

## LIQUID TEMPERATURE

104 °F (40 °C).

## PUMP CASING

304 AISI stainless steel.

## MOTOR HOUSING

304 AISI stainless steel.

## OIL CHAMBER

304 AISI stainless steel.

## IMPELLER

**Design:** 8 vane, semi-open.

**Material:** 304 AISI stainless steel.

## SHAFT

304 AISI stainless steel.

## HARDWARE

304 AISI stainless steel.

## O-RINGS

Buna-N®.

## SEAL

**Design:** dual, mechanical, oil filled chamber.

**Material:** upper part of carbon-ceramic, lower part silicon carbide. Stainless steel hardware.

## CORD ENTRY

32 ft of neoprene cord, sealed against moisture.

## BEARINGS

Ball, single row, permanently oil lubricated.

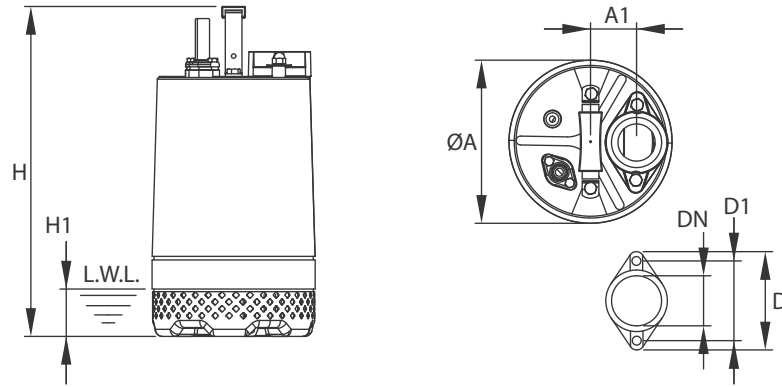
## MOTOR

Dry type submersible motor, 1 & 3 phase, 115 & 230V, 60 Hz, 3450 RPM. Insulation class B and IP68 protection class.

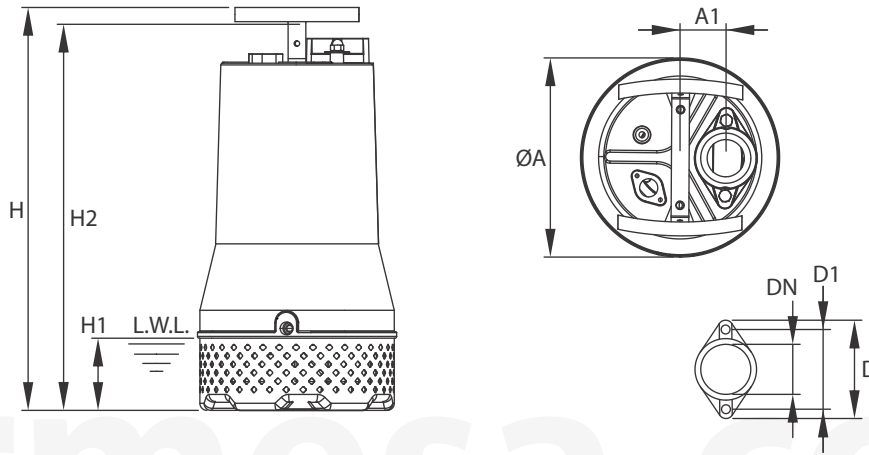
## HANDLE

304 AISI stainless steel and Buna-N®.

► 0.5 - 1 HP



► 2 HP



HP	A	A1	D	D1	DN	H	H1	H2	WEIGHT (lb)
0.5	7.4	2.05	4.13	3.35	2"	13.58	2.05	-	31
1	7.4	2.05	4.13	3.35	2"	14.57	2.05	-	38
2	8.86	2.05	4.13	3.35	2"	17.91	3.19	17.17	55

\* Weight without cord.  
 - Dimensions in inches.  
 - L.W.L.: lowest running water level.

MODEL	PART No.	HP	VOLTS	PH	AMPS	RATED RPM	RATED		MAX.	
							ft	GPM	ft	GPM
2KLEIN-051	70090121	0.5	115	1	6.6	3450	26	30	33	61
2KLEIN-101	70090123	1	115	1	12	3450	33	55	62.4	82
2KLEIN-102	70090124	1	230	1	6	3450	33	55	62.4	82
2KLEIN-202	70090125	2	230	1	13	3450	43	80	65.5	153
2KLEIN-203	70090127	2	230	3	8	3450	43	80	65.5	153
2KLEIN-204	70090128	2	460	3	4	3450	43	80	65.5	153

**IMPORTANT!**

- Never use this pump to handle explosive liquids.
- This pump is not approved to be used in swimming pools, recreational installations or any application where human contact may be common.



# PERFORMANCE CURVE

Submersible  
Dewatering Pump  
Series: **KLEIN**

