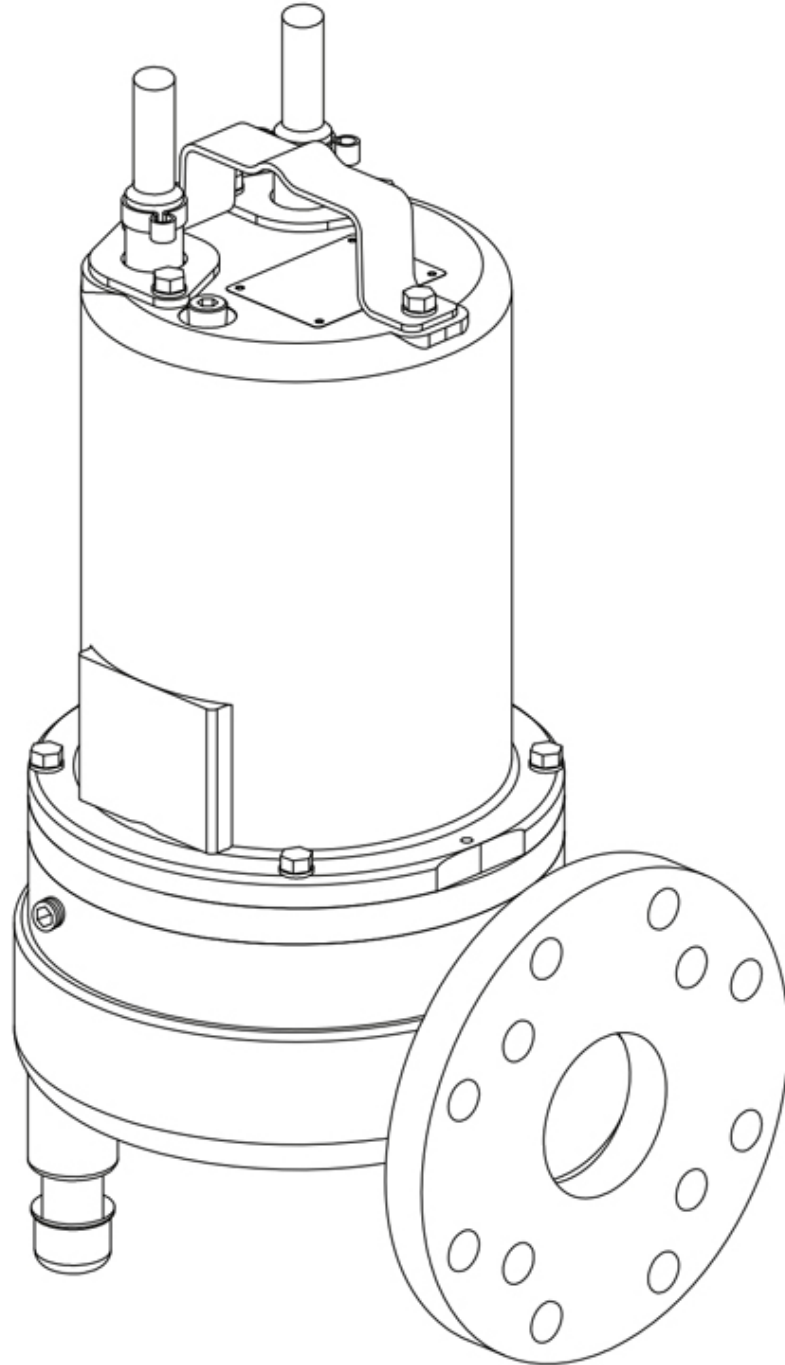


# 4SE-L – 1.9 HP

2" Spherical Solids Handling



**BARNES**

## Specifications

**DISCHARGE:** 3" & 4" 125lb., Horizontal flange

**SPEED:** 1750 RPM (Nominal)

**IMPELLER:**

- **Design:** 2 Vane, open with pump out vanes on back side, dynamically balanced, ISO G6.3
- **Material:** Cast iron ASTM A-48, class 30

**CORD ENTRY:** 30 ft. (9.1m) Quick disconnect cord with plug on 120Volt, custom molded for sealing and strain relief

**MOTOR:**

- **Design:** NEMA L- single phase, NEMA B - three phase torque curve, oil filled, squirrel cage induction
- **Insulation:** Class B

**SEAL:**

- **Design:** Single mechanical
- **Material:** Carbon/Ceramic/Buna-N Hardware - 300 series stainless

**LIQUID TEMPERATURE:** 104°F (40°C) Continuous

**VOLUTE:** Cast iron ASTM A-48, class 30

**MOTOR HOUSING** Cast iron ASTM A-48, class 30

**SEAL PLATE:** Cast iron ASTM A-48, class 30

**SHAFT:** 416 Stainless steel

**SQUARE RINGS:** Buna-N

**HARDWARE:** 300 Series stainless steel

**PAINT:** Air dry enamel (epoxy optional)

**BEARINGS:**

**Upper Bearing:**

- Design: Single row, ball, oil lubricated
- Load: Radial

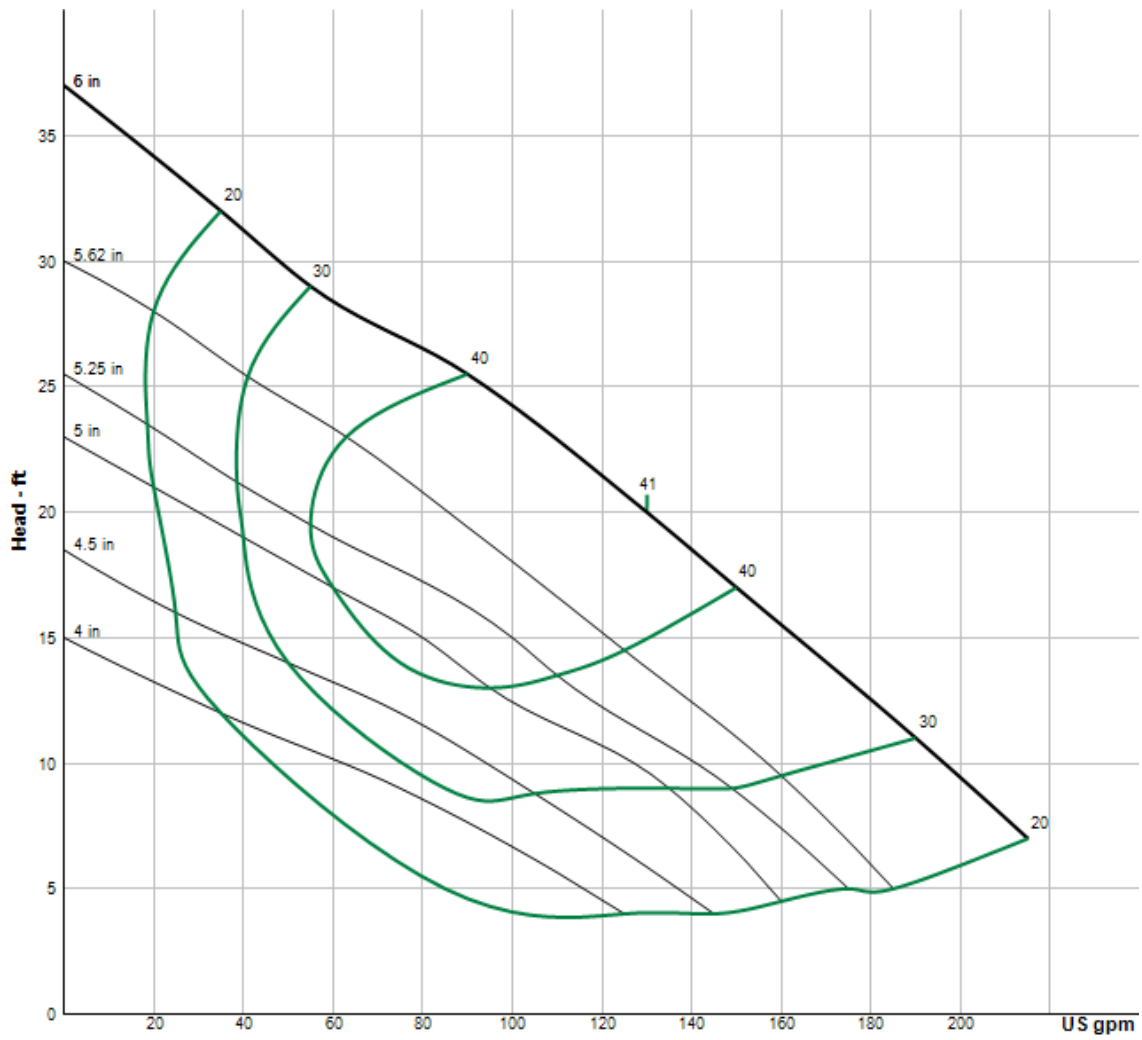
**Lower Bearing:**

- Design: Single row, ball, oil lubricated
- Load: Radial

**SINGLE PHASE:** Permanent split capacitor (PSC) includes overload protection in motor

**THREE PHASE:** 200-240/480 is tri voltage motor. 600V Requires overload protection to be included in control panel

# Curves



| Pump HP | Impeller Dia in. (mm.) |
|---------|------------------------|
| 0.9     | 133 (5.25)             |
| 1.4     | 143 (5.62)             |
| 1.9     | 152 (6.00)             |

## Model Information

| <b>MODEL NO.</b>   | <b>4SE1974L</b> | <b>4SE1994L</b> | <b>4SE1944L</b> | <b>4SE1954L</b> |
|--------------------|-----------------|-----------------|-----------------|-----------------|
| PART NO.           | 105032          | 105033          | 105034          | 105035          |
| HP                 | 1.9             | 1.9             | 1.9             | 1.9             |
| VOLT/PH            | 200-240/1       | 200-240/3       | 480/3           | 600/3           |
| Hz                 | 60              | 60              | 60              | 60              |
| RPM (nom)          | 1750            | 1750            | 1750            | 1750            |
| NEMA START CODE    | A/B             | A/B             | B               | C               |
| INSUL. CLASS       | F               | B               | B               | B               |
| FULL LOAD AMPS     | 8.8/8.3         | 5.3/5.1         | 2.5             | 1.9             |
| LOCKED ROTOR AMPS  | 21.5/25.8       | 13.7/15.4       | 7.7             | 7.2             |
| CORD SIZE          | 14/3            | 14/4            | 14/4            | 14/4            |
| CORD TYPE          | SOW             | SOW             | SOW             | SOW             |
| CORD O.D INCH (mm) | 0.530 (13.5)    | 0.570 (14.5)    | 0.570 (14.5)    | 0.570 (14.5)    |

# Drawing

