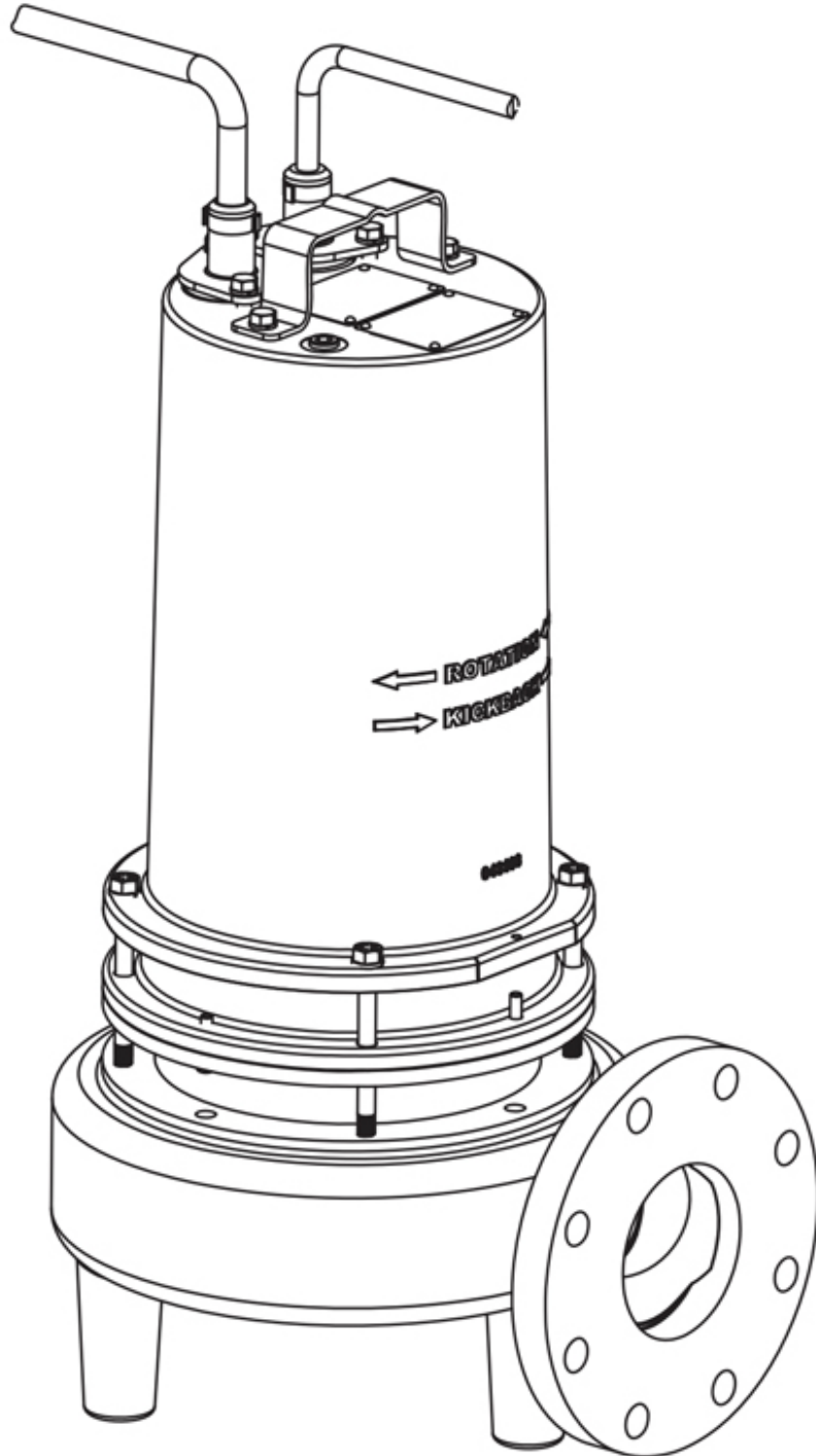


# 4SEV-DS – 3.7 HP

3" Spherical Solids Handling - Vortex



**BARNES**

# Specifications

**DISCHARGE:** 4" 125lb., Horizontal flange

**SPEED:** 1750 RPM

**IMPELLER:**

- **Design:** Vortex, 8 vane with pump out vanes on back side, Dynamically balanced, ISO G6.3
- **Material:** Cast iron ASTM A-48, class 30

**CORD ENTRY:** .30 ft. (9.1 m) Cord. Quick connect custom molded for sealing and strain relief

**MOTOR:**

- **Design:** NEMA L- single phase, NEMA B - three phase torque curve, oil filled, squirrel cage induction
- **Winding:** Class B, class H rated magnet wire, class F on selected models
- **Service Factor:** 1.15

**SEAL:**

- **Design:** Double mechanical, oil filled pressure equalized reservoir
- **Material:** Carbon/Ceramic/Buna-N

**DIAPHRAGM:** Buna-N

**LIQUID TEMPERATURE:** 104°F (40°C) Continuous

**VOLUTE:** Cast iron ASTM A-48, class 30

**MOTOR HOUSING** Cast iron ASTM A-48, class 30

**SEAL PLATE:** Cast iron ASTM A-48, class 30

**SHAFT:** 416 Stainless steel

**SQUARE RINGS:** Buna-N

**HARDWARE:** 300 Series stainless steel

**PAINT:** Air dry enamel (epoxy optional)

**BEARINGS:**

**Upper Bearing:**

- Design: Single row, ball, oil lubricated
- Load: Radial

**Lower Bearing:**

- Design: Single row, ball, oil lubricated
- Load: Radial

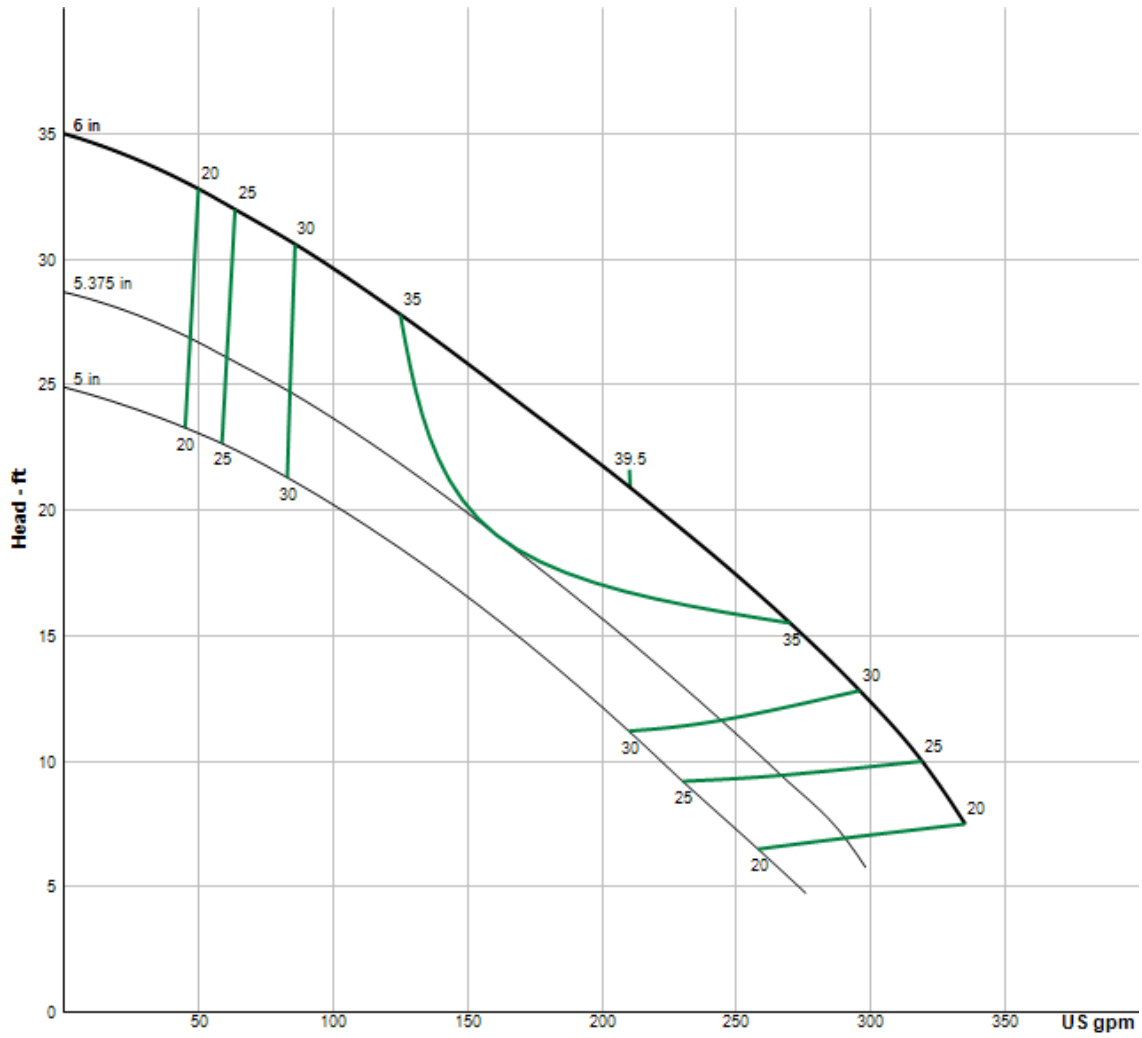
**SINGLE PHASE:** Permanent split capacitor (PSC) includes overload protection in motor

**THREE PHASE:** 200-230/460 is Tri Voltage motor. 575. Requires overload protection to be included in control panel, VFD suitable

**MOISTURE SENSOR:** Normally open (N/O), requires relay in control panel

**TEMPERATURE SENSOR:** Normally Closed (N/C), Requires relay in control panel. For three phase units ONLY

# Curves



Pump HP	Impeller Dia mm (in.)
2.8	137 (5.38)
3.7	152 (6.00)
5.0	181 (7.13)

## Model Information

MODEL NO.	4SEV3724DS	4SEV3794DS	4SEV3744DS	4SEV3754DS
PART NO.	140218	140219	140220	140221
HP	3.7	3.7	3.7	3.7
VOLT/PH	230/1	200-230/3	460/3	575/3
Hz	60	60	60	60
RPM (nom)	1750	1750	1750	1750
NEMA START CODE	A	B/E	E	G
INSUL. CLASS	B	B	B	B
FULL LOAD AMPS	20	16.1/14.0	7	5.6
LOCKED ROTOR AMPS	29	35.9/42.7	21.3	21.6
CORD SIZE	10/3	12/4	14/4	14/4
CORD TYPE	SOOW/SOW	SOOW/SOW	SOOW/SOW	SOOW/SOW
CORD O.D INCH (mm)	.66 (16.8)	.68 (17.4)	.57 (14.5)	.57 (14.5)

# Drawing

