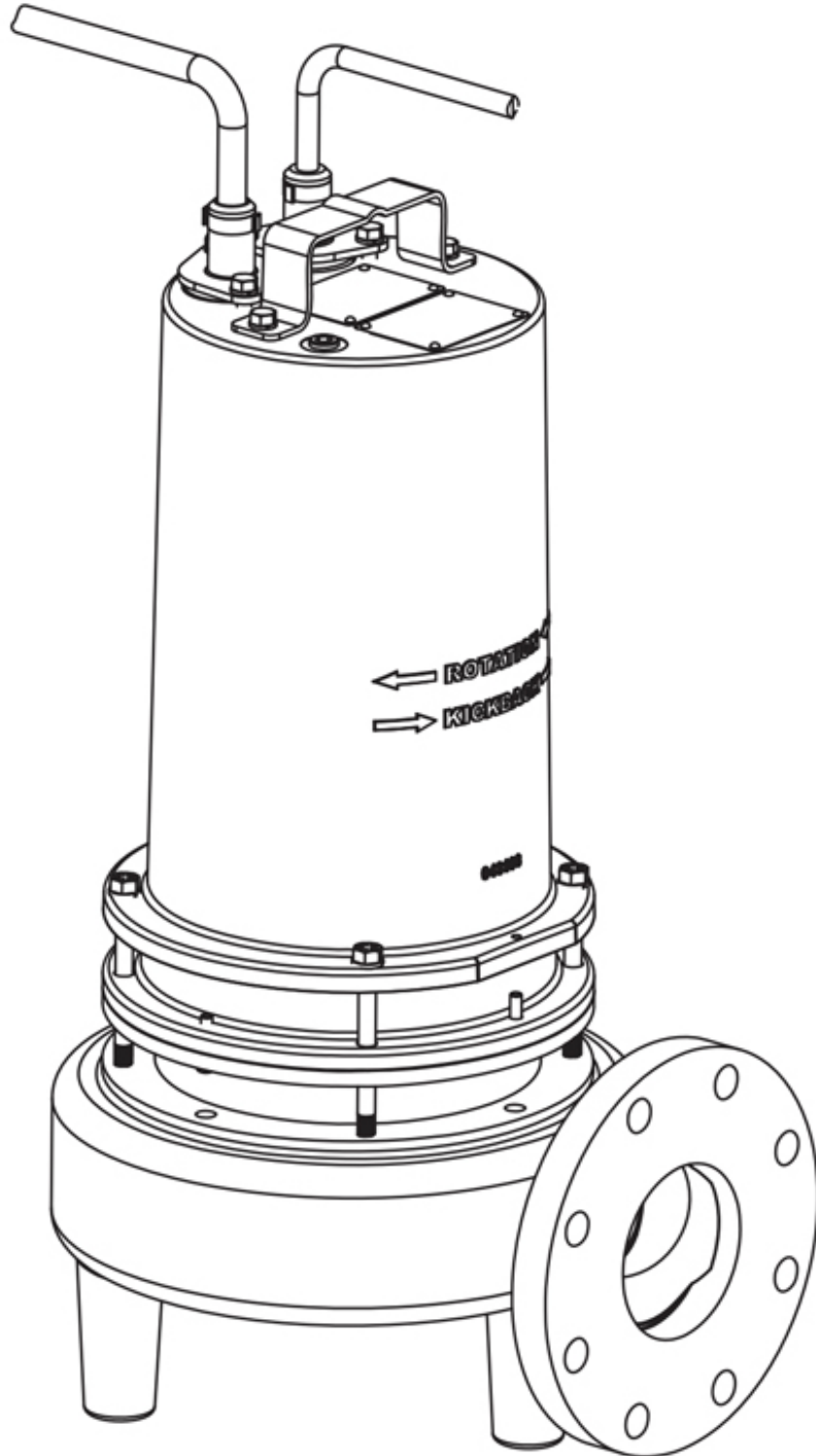


# 4SEV-DS – 2.8 HP

3" Spherical Solids Handling - Vortex



**BARNES**

# Specifications

**DISCHARGE:** 4" 125lb., Horizontal flange

**SPEED:** 1150 OR 1750 RPM

**IMPELLER:**

- **Design:** Vortex, 8 vane with pump out vanes on back side, Dynamically balanced, ISO G6.3
- **Material:** Cast iron ASTM A-48, class 30

**CORD ENTRY:** .30 ft. (9.1 m) Cord. Quick connect custom molded for sealing and strain relief

**MOTOR:**

- **Design:** NEMA L- single phase, NEMA B - three phase torque curve, oil filled, squirrel cage induction
- **Winding:** Class B, class H rated magnet wire, class F on selected models
- **Service Factor:** 1.15

**SEAL:**

- **Design:** Double mechanical, oil filled pressure equalized reservoir
- **Material:** Carbon/Ceramic/Buna-N

**DIAPHRAGM:** Buna-N

**LIQUID TEMPERATURE:** 104°F (40°C) Continuous

**VOLUTE:** Cast iron ASTM A-48, class 30

**MOTOR HOUSING** Cast iron ASTM A-48, class 30

**SEAL PLATE:** Cast iron ASTM A-48, class 30

**SHAFT:** 416 Stainless steel

**SQUARE RINGS:** Buna-N

**HARDWARE:** 300 Series stainless steel

**PAINT:** Air dry enamel (epoxy optional)

**BEARINGS:**

**Upper Bearing:**

- Design: Single row, ball, oil lubricated
- Load: Radial

**Lower Bearing:**

- Design: Single row, ball, oil lubricated
- Load: Radial

**SINGLE PHASE:** Permanent split capacitor (PSC) includes overload protection in motor

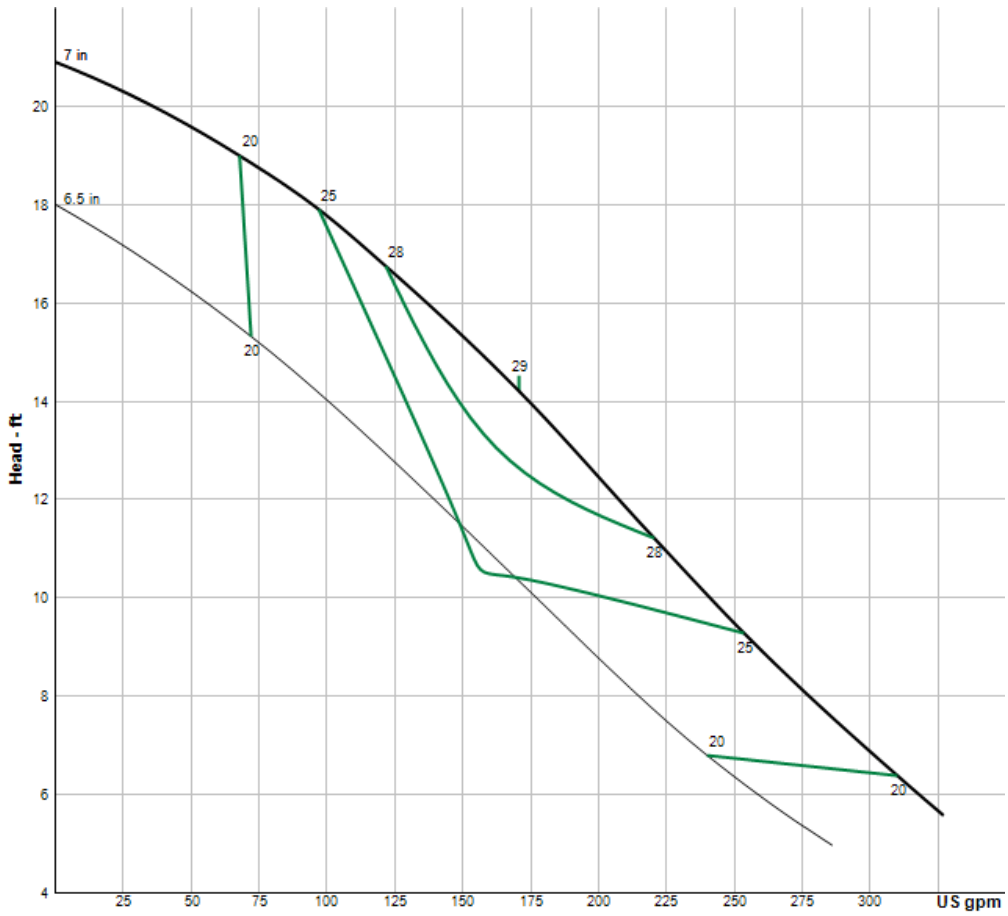
**THREE PHASE:** 200-230/460 is Tri Voltage motor. 575. Requires overload protection to be included in control panel, VFD suitable

**MOISTURE SENSOR:** Normally open (N/O), requires relay in control panel

**TEMPERATURE SENSOR:** Normally Closed (N/C), Requires relay in control panel. For three phase units ONLY

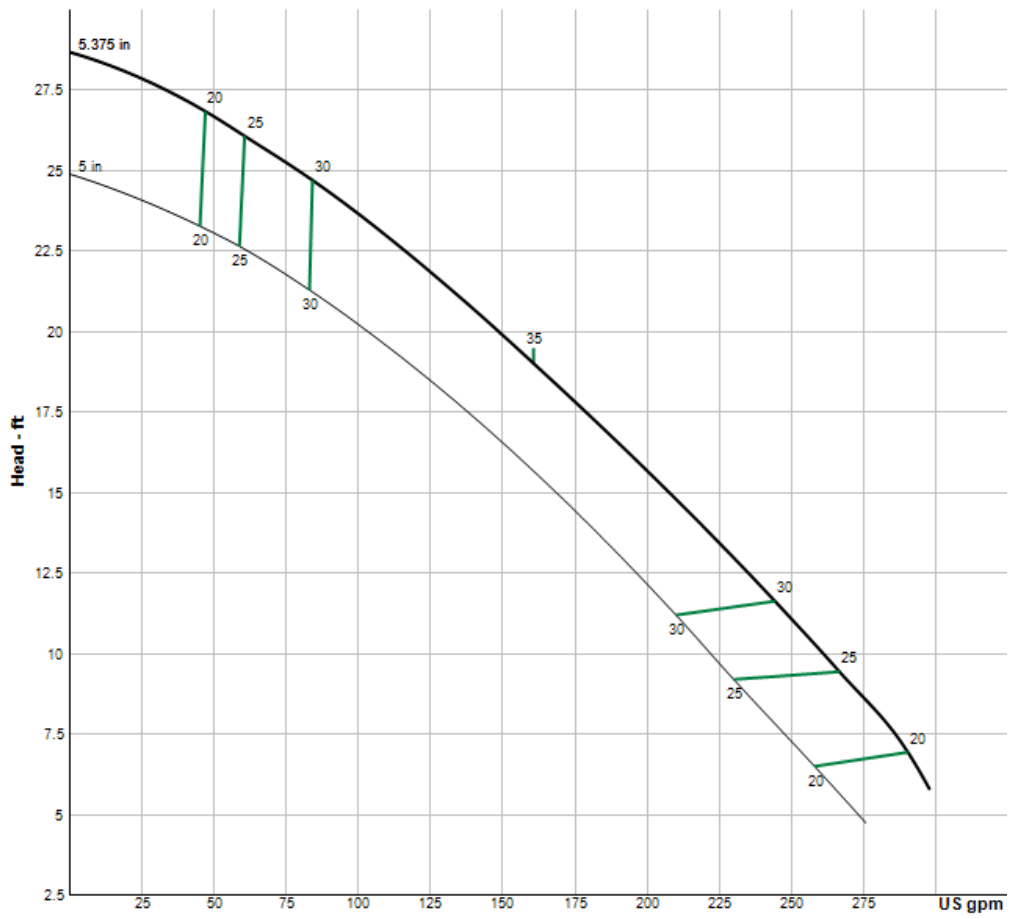
# Curves

## 1150 RPM



Pump HP	Impeller Dia mm (in.)
2.8	178 (7.00)

## 1750 RPM



Pump HP	Impeller Dia in. (mm)
2.8	137 (5.38)
3.7	152 (6.00)
5.0	181 (7.13)

## Model Information

MODEL NO.	4SEV2826DS	4SEV2896DS	4SEV2846DS	4SEV2856DS	4SEV2824DS	4SEV2894DS	4SEV
PART NO.	142105	142106	142107	142108	140214	140215	14
HP	2.8	2.8	2.8	2.8	2.8	2.8	2
VOLT/PH	230/1	200-230/3	460/3	575/3	230/1	200-230/3	46
Hz	60	60	60	60	60	60	60
RPM (nom)	1150	1150	1150	1150	1750	1750	1
NEMA START CODE	A	F/H	H	H	A	D/G	
INSUL. CLASS	B	B	B	B	B	B	
FULL LOAD AMPS	13.5	9.2/8.4	4.2	3.4	12.6	9.2/8.0	
LOCKED ROTOR AMPS	31	38.2/44.0	22	17.6	23	35.9/42.7	
CORD SIZE	12/3	14/4	14/4	14/4	12/3	12/4	1
CORD TYPE	SOOW/SOW	SOOW/SOW	SOOW/SOW	SOOW/SOW	SOOW/SOW	SOOW/SOW	SOOW
CORD O.D INCH (mm)	.61 (15.5)	.57 (14.5)	.57 (14.5)	.57 (14.5)	.61 (15.5)	.68 (17.4)	.57

Drawing

