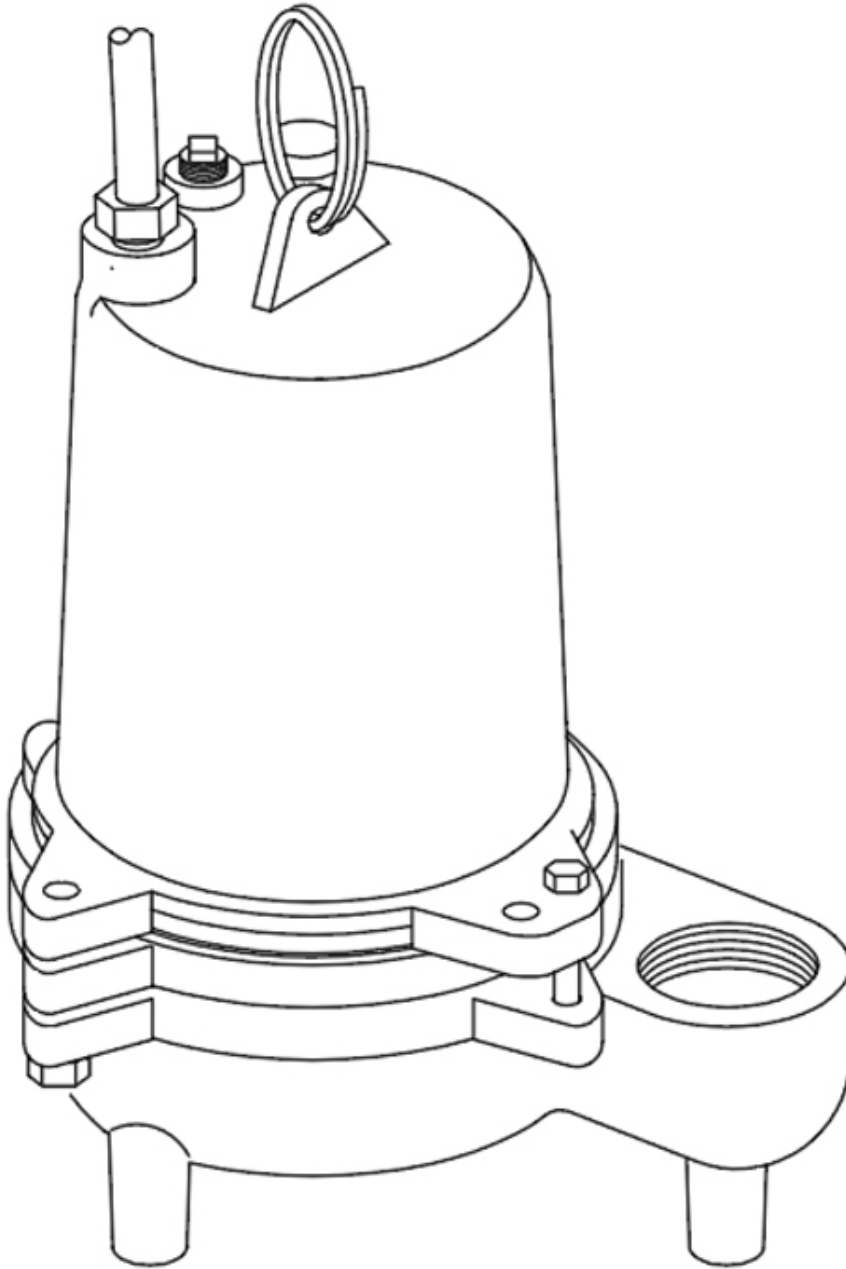


# SE-411/421 - .4HP

## 2" Spherical Solids Handling - Manual & Automatic

---



**BARNES®**

# Specifications

**DISCHARGE:** 2" NPT, Female, vertical

**SPEED:** 1750 RPM (Nominal)

**LIQUID TEMPERATURE:**

- **SE411:** 77°F (25°C) Continuous
- **SE412:** 104°F (40°C) Continuous

**MOTOR HOUSING:** Cast iron ASTM A-48, class 30

**IMPELLER:**

- **Design:** 2 Vane, open with pump out vanes on back side, dynamically balanced, ISO G6.3
- **Material:** Cast iron ASTM A-48, class 30

**CORD ENTRY:** 15 ft. (5m) Quick disconnect cord with plug On 115Volt, pressure grommet for sealing and strain relief

**SINGLE PHASE:** Permanent split capacitor (PSC) includes overload protection in motor

**MOTOR:**

- **Design:** NEMA L torque curve, oil filled, squirrel cage induction
- **Insulation:** Class B

**UPPER BEARING:**

- **Design:** Single row, ball
- **Lubrication:** Oil
- **Load:** Radial

**LOWER BEARING:**

- **Design:** Single row, ball
- **Lubrication:** Oil
- **Load:** Radial & thrust

**VOLUTE:** Cast iron ASTM A-48, class 30

**SHAFT:** 416 Stainless steel

**SQUARE RINGS:** Buna-N

**HARDWARE:** 300 Series stainless steel

**PAINT:** Air dry enamel

**SEAL PLATE:** Cast iron ASTM A-48, class 30

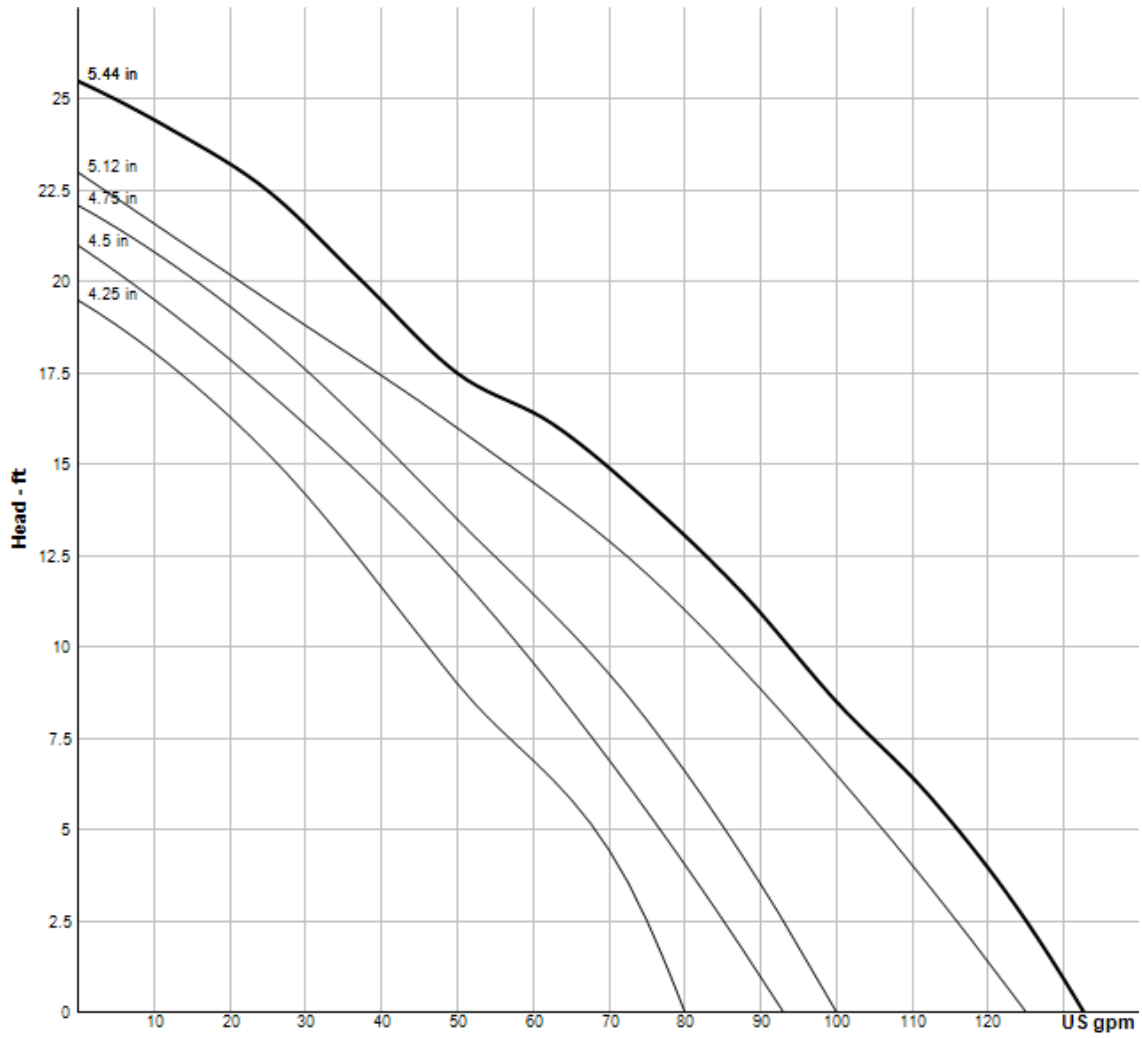
**SEAL KIT P/N:** 085202

**SERVICE KIT P/N:** 085201

**LEVEL CONTROL:** "A" - Wide angle, PVC, mechanical, 15 ft (5m) cord with piggy-back plug, N/O

**LEVEL CONTROL:** "VF" - Vertical float, PVC, snap action, 15 ft (5m) cord, with piggy-back plug. OFF point ONLY is adjustable

# Curves



Pump HP	Impeller Dia mm (in.)
0.4	138 (5.44)

## Model Information

MODEL NO	SE411	SE411A	SE411VF	SE421
PART NO	096747	096748	100836	096750
HP	0.4	0.4	0.4	0.4
VOLT/PH	115/1	115/1	115/1	230/1
Hz	60	60	60	60
RPM (nom)	1750	1750	1750	1750
NEMA START CODE	C	C	C	C
FULL LOAD AMPS	12	12	12	6.2
LOCKED ROTOR AMPS	19	19	19	13
CORD SIZE	16/3	16/3	16/3	14/3
CORD TYPE	SJTOW	SJTOW	SJTOW	SJTOW
CORD O.D inch (mm)	0.310 (7.9)	0.310 (7.9)	0.310 (7.9)	0.375 (9.5)

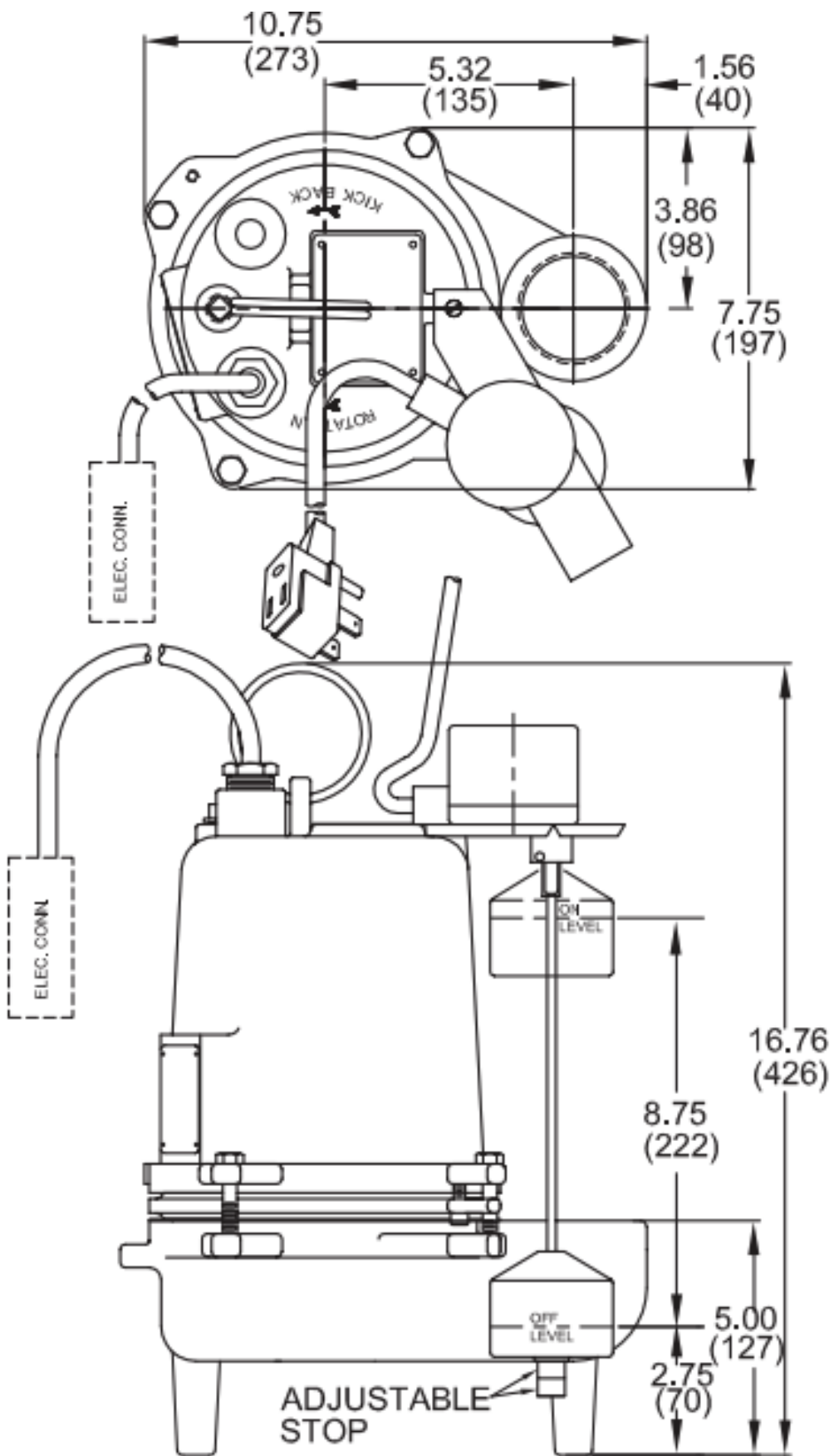


### IMPORTANT

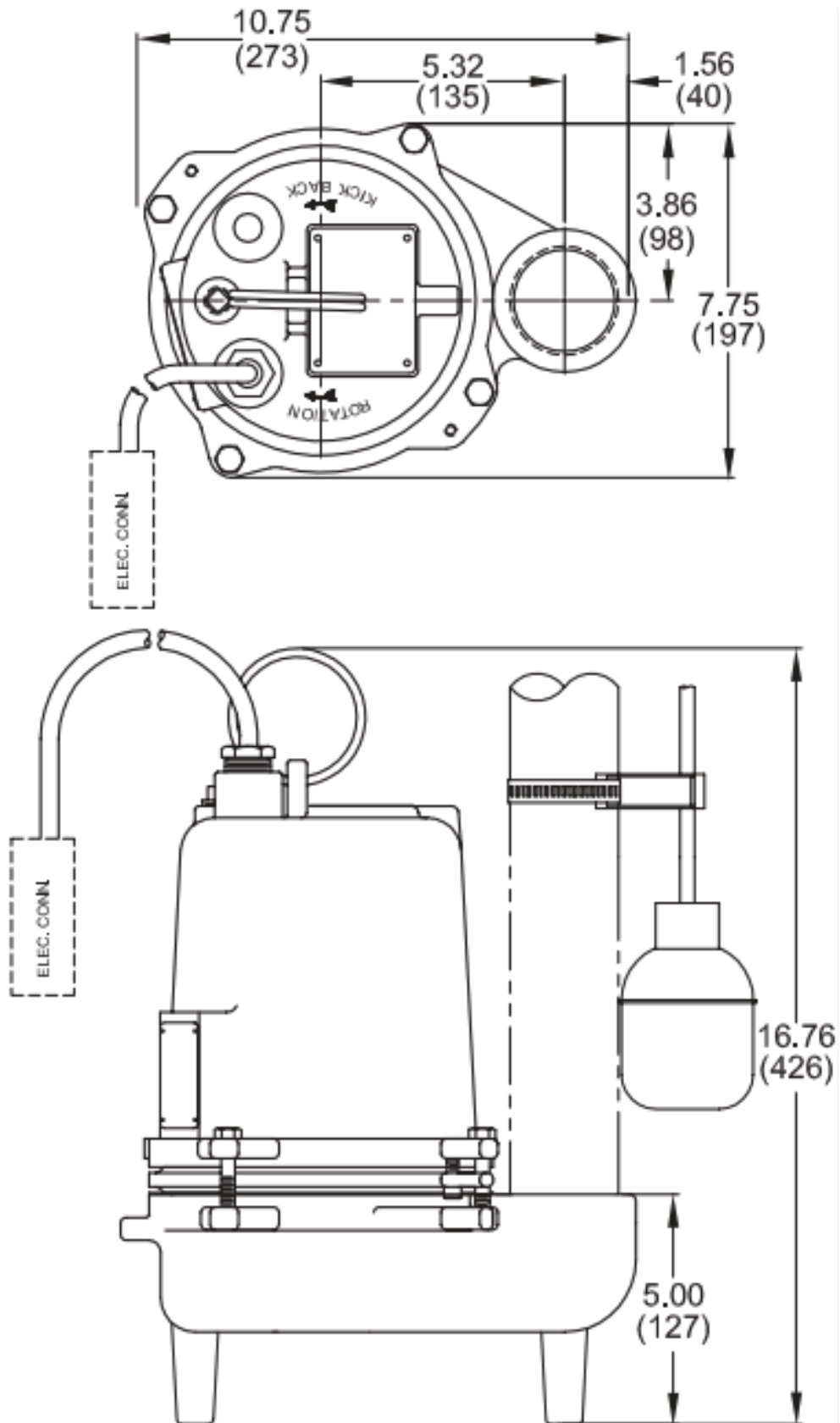
- 1.) PUMP MAY BE OPERATED "DRY" FOR EXTENDED PERIODS WITHOUT DAMAGE TO MOTOR AND/OR SEALS.
- 2.) INSTALLATIONS SUCH AS DECORATIVE FOUNTAINS OR WATER FEATURES PROVIDED FOR VISUAL ENJOYMENT MUST BE INSTALLED IN ACCORDANCE WITH THE NATIONAL ELECTRIC CODE ANSI/NFPA 70 AND/OR THE AUTHORITY HAVING JURISDICTION. THIS PUMP IS NOT INTENDED FOR USE IN SWIMMING POOLS, RECREATIONAL WATER PARKS, OR INSTALLATIONS IN WHICH HUMAN CONTACT WITH PUMPED MEDIA IS A COMMON OCCURRENCE.

**Drawings**

**SE411VF**



SE411 & SE421 (Less Float) SE411A



---

© 2024 Crane Pumps & Systems