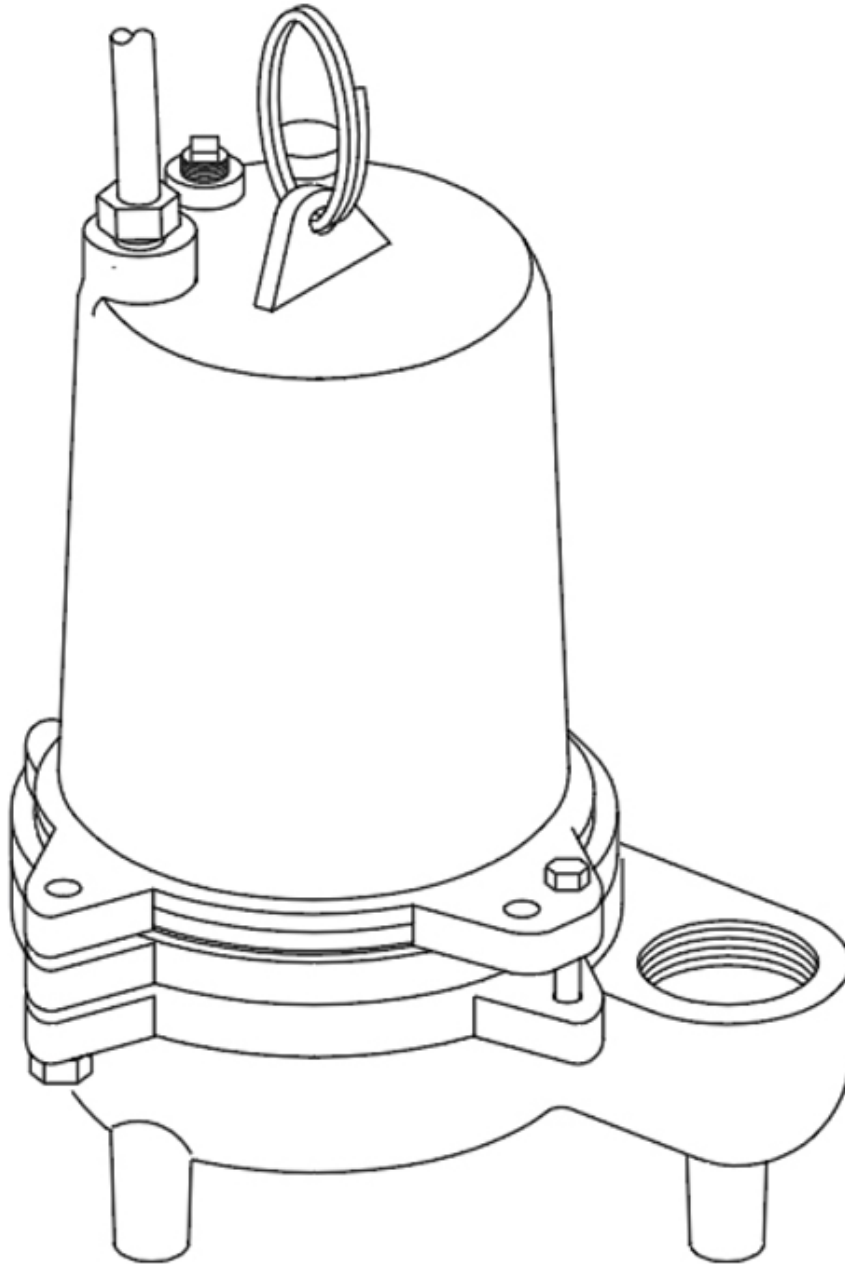


# SE-HT - .4HP

**2" Spherical Solids Handling - High Temperature - Manual & Automatic**



**BARNES®**

# Specifications

**DISCHARGE:** 2" NPT, Female, vertical

**SPEED:** 1750 RPM (Nominal)

**LIQUID TEMPERATURE:** 200°F (93°C) Continuous

**MOTOR HOUSING:** Cast iron ASTM A-48, class 30

**IMPELLER:**

- **Design:** 2 Vane, open with pump out vanes on back side, dynamically balanced, ISO G6.3
- **Material:** Cast iron ASTM A-48, class 30

**CORD ENTRY:** 15 ft. (5m) Quick disconnect cord with plug On 115 volt, pressure grommet for sealing and strain relief

**SINGLE PHASE:** Permanent split capacitor (PSC) includes overload protection in motor

**MOTOR:**

- **Design:** NEMA L torque curve, oil filled, squirrel cage induction
- **Insulation:** Class F

**UPPER BEARING:**

- **Design:** Single row, ball
- **Lubrication:** Oil
- **Load:** Radial

**LOWER BEARING:**

- **Design:** Single row, ball
- **Lubrication:** Oil
- **Load:** Radial & thrust

**VOLUTE:** Cast iron ASTM A-48, class 30

**SHAFT:** 416 Stainless steel

**SQUARE RINGS:** Buna-N

**HARDWARE:** 300 Series stainless steel

**PAINT:** Air dry enamel

**SEAL PLATE:** Cast iron ASTM A-48, class 30

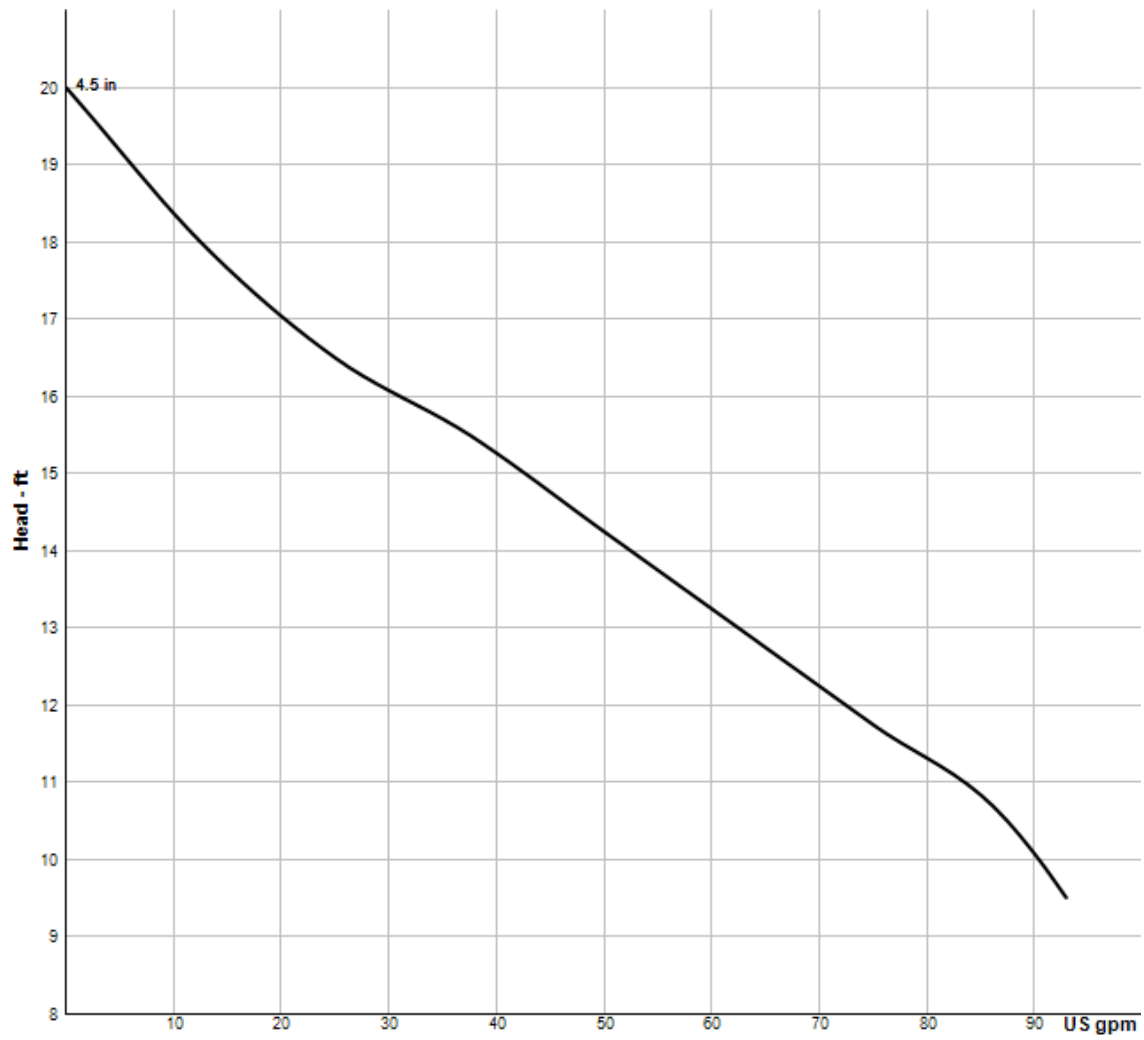
**SEAL KIT P/N:** 085202

**SERVICE KIT P/N:** 085201

**LEVEL CONTROL:** "A" - Wide angle, PVC, mechanical, 15 ft (5m) cord with piggy-back plug, N/O

**LEVEL CONTROL:** "AU"- Wide angle, polypropylene, mechanical, N/O, integral to pump. ON and OFF points are adjustable

## Curves



Pump HP	Impeller Dia mm (in.)
0.4	114 (4.50)

## Model Information

MODEL NO	SE411HT	SE411HTA	SE421HT
PART NO	096764	096765	096767
HP	0.4	0.4	0.4
VOLT/PH	115	115	230
Hz	1/60	1/60	1/60
RPM (nom)	1750	1750	1750
NEMA START CODE	A	A	A
FULL LOAD AMPS	10	10	4
LOCKED ROTOR AMPS	26	26	13
CORD SIZE	14/3	14/3	14/3
CORD TYPE	SOOW	SOOW	SOOW
CORD O.D inch (mm)	0.560 (14.2)	0.560 (14.2)	0.560 (14.2)

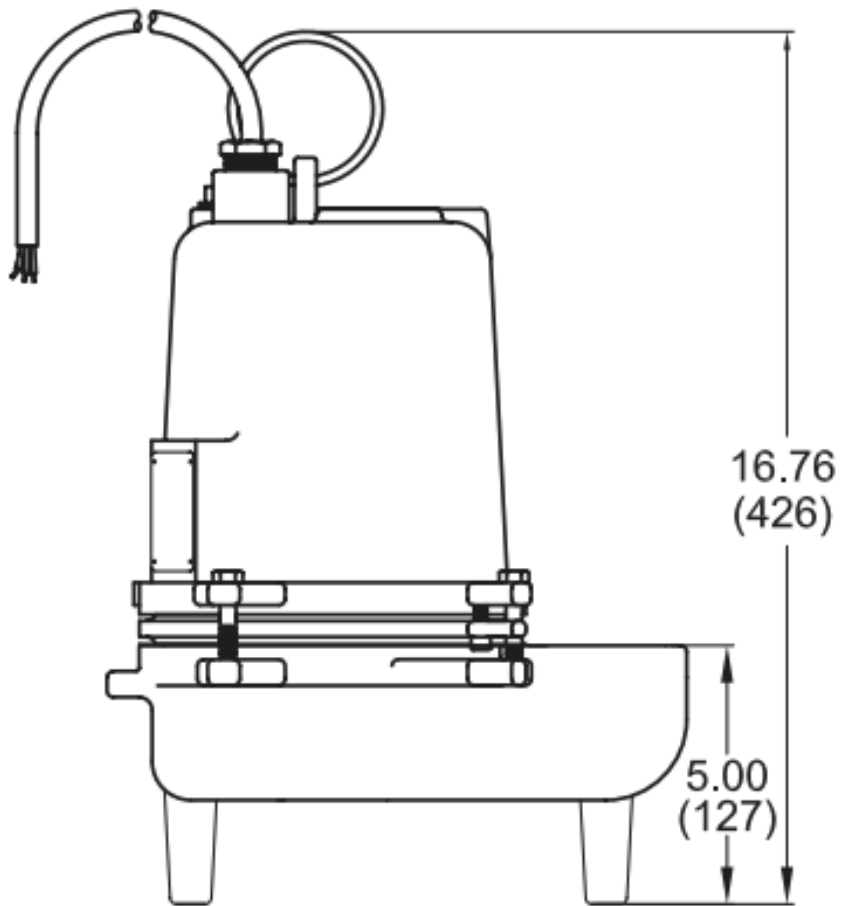
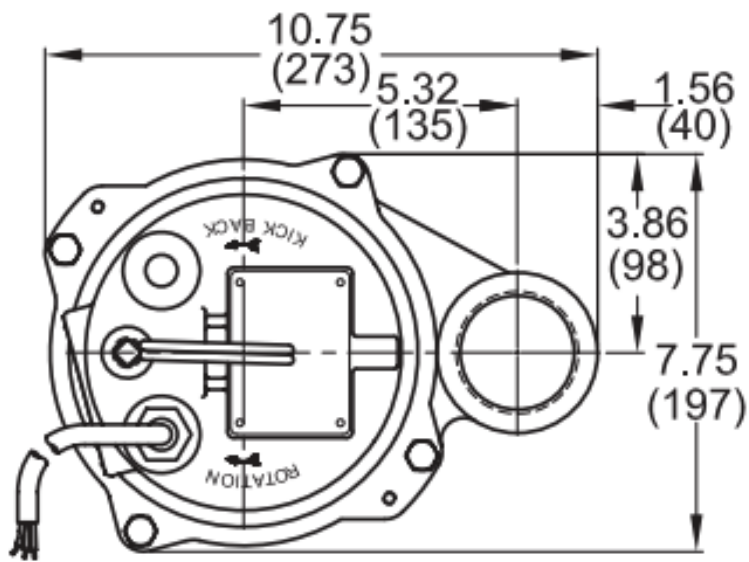


### IMPORTANT

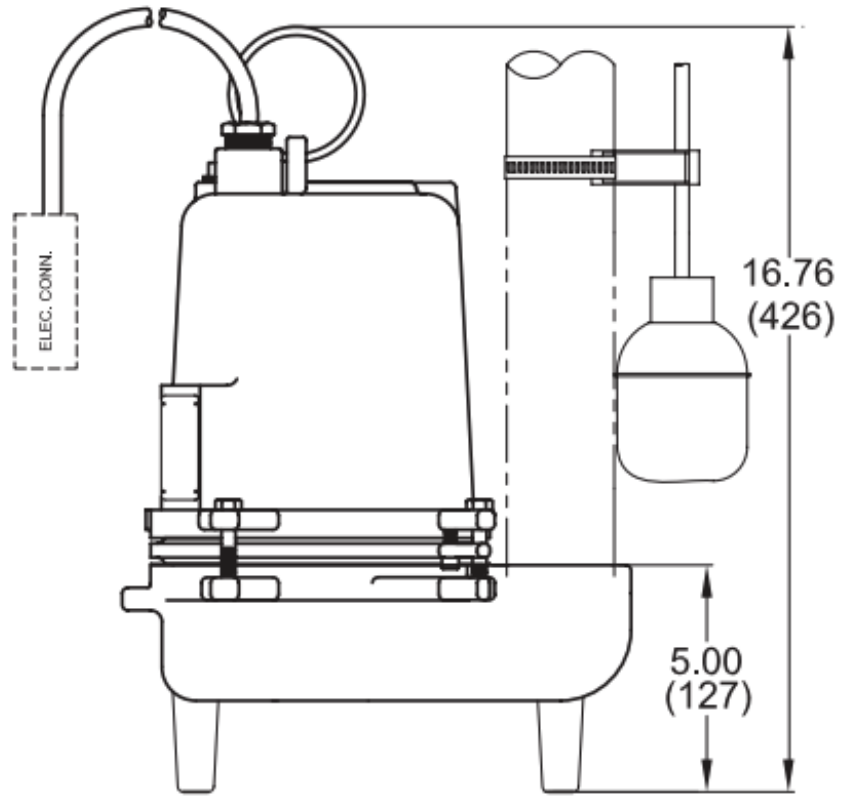
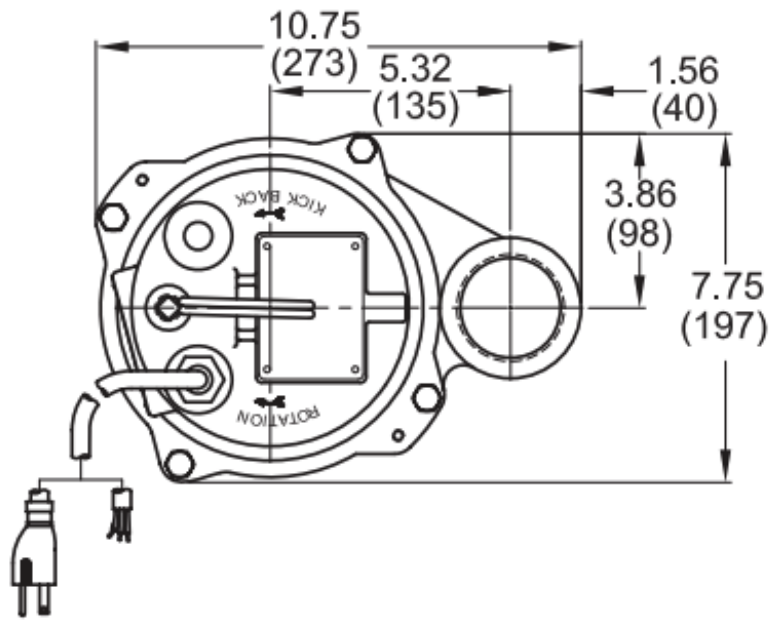
- 1.) PUMP MAY BE OPERATED "DRY" FOR EXTENDED PERIODS WITHOUT DAMAGE TO MOTOR AND/OR SEALS.
- 2.) INSTALLATIONS SUCH AS DECORATIVE FOUNTAINS OR WATER FEATURES PROVIDED FOR VISUAL ENJOYMENT MUST BE INSTALLED IN ACCORDANCE WITH THE NATIONAL ELECTRIC CODE ANSI/NFPA 70 AND/OR THE AUTHORITY HAVING JURISDICTION. THIS PUMP IS NOT INTENDED FOR USE IN SWIMMING POOLS, RECREATIONAL WATER PARKS, OR INSTALLATIONS IN WHICH HUMAN CONTACT WITH PUMPED MEDIA IS A COMMON OCCURRENCE
- 3.) MUST USE A HIGH TEMPERATURE WIDE ANGLE LEVEL CONTROL IN HIGH TEMPERATURE APPLICATIONS.

**Drawings**

**SE411HT & SE421HT**



SE411HTA



---

© 2024 Crane Pumps & Systems