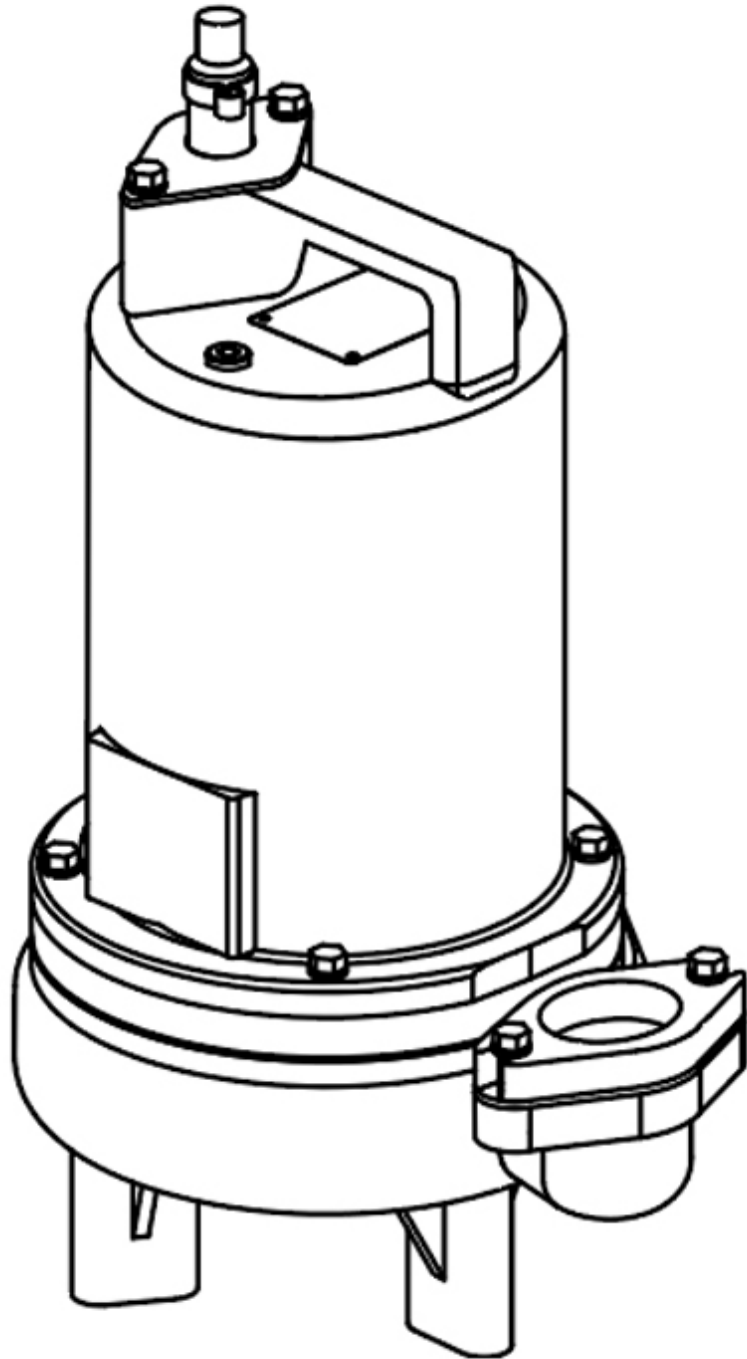


SE-L – 1 HP

2" Spherical Solids Handling - Manual & Automatic

BARNES®



Specifications

DISCHARGE: 2" NPT, Female, vertical

SPEED: 1750 RPM (Nominal)

LIQUID TEMPERATURE: 104°F (40°C) Continuous

MOTOR HOUSING: Cast iron ASTM A-48, class 30

IMPELLER:

- **Design:** 2 Vane, open, with pump out vanes on back side. Dynamically balanced, ISO G6.3
- **Material:** Cast iron ASTM A-48, class 30

CORD ENTRY: 15 ft. (5m) Quick disconnect cord with plug On 115 volt, pressure grommet for sealing and strain relief

SINGLE PHASE: Permanent split capacitor (PSC) includes overload protection in motor

THREE PHASE: 200-240/480 is Tri-Voltage motor 600V. Requires overload Protection to be included in control panel

MOTOR:

- **Design:** NEMA L -single phase, NEMA B -three phase torque curve, oil filled, squirrel cage induction
- **Insulation:** Class B

UPPER BEARING:

- **Design:** Single row, ball
- **Lubrication:** Oil
- **Load:** Radial

LOWER BEARING:

- **Design:** Single row, ball
- **Lubrication:** Oil
- **Load:** Radial & thrust

VOLUTE: Cast iron ASTM A-48, class 30

SHAFT: 416 Stainless steel

SQUARE RINGS: Buna-N

HARDWARE: 300 Series stainless steel

PAINT: Air dry enamel

SEAL PLATE: Cast iron ASTM A-48, class 30

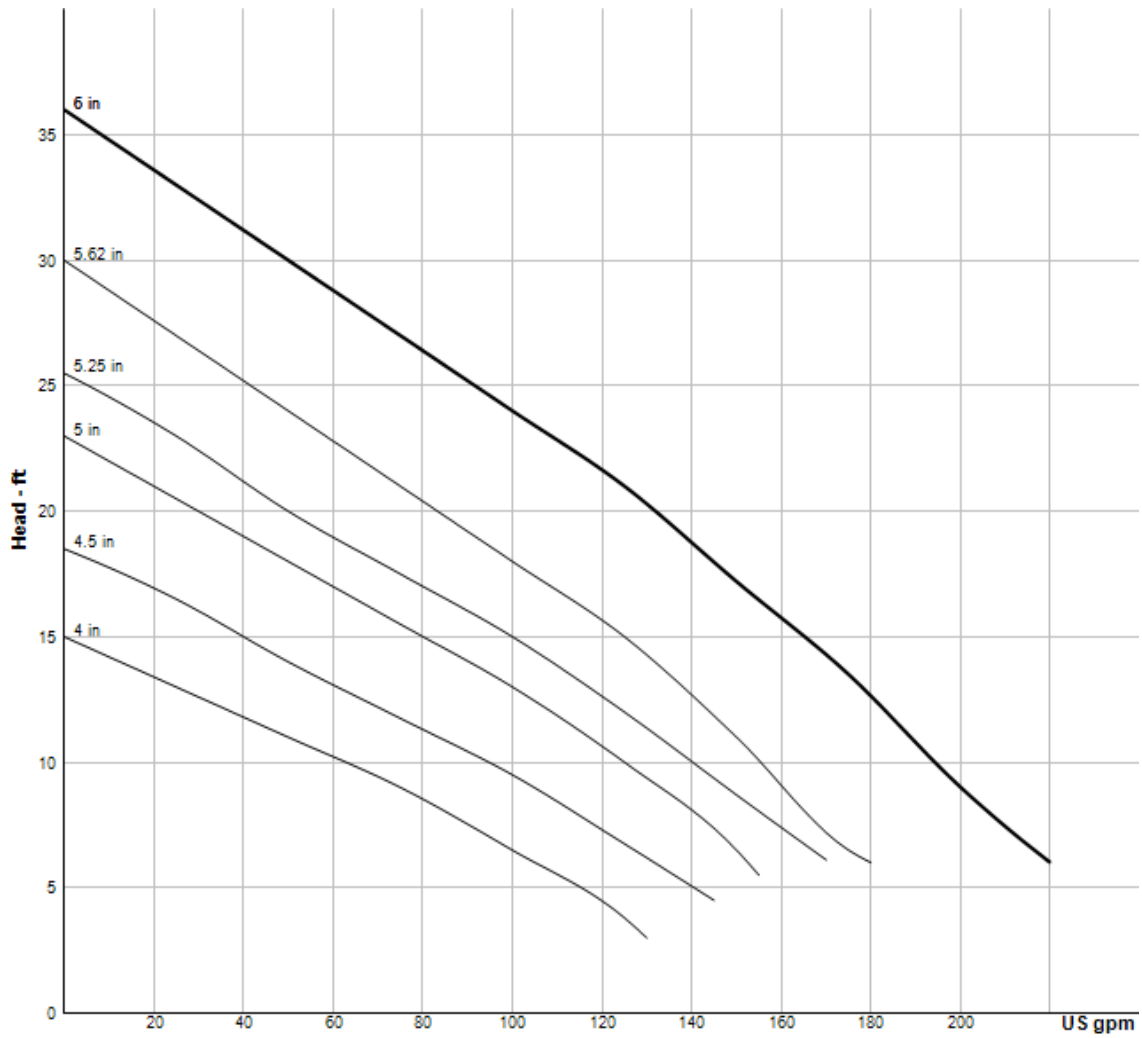
SEAL KIT P/N: 130180

SERVICE KIT P/N: 130207

LEVEL CONTROL: "A" - Wide angle, PVC, mechanical, 15 ft (5m) cord with piggy-back plug, N/O

LEVEL CONTROL: "AU"- Wide angle, polypropylene, mechanical, N/O, integral to pump. ON and OFF points are adjustable

Curves



Pump HP	Impeller Dia mm (in.)
0.5	133 (5.25)
0.75	143 (5.62)
1.00	152 (6.00)

Model Information

MODEL NO.	SE1074L	SE1094L	SE1044L	SE1054L
PART NO.	104888	104889	104890	104891
HP	1	1	1	1
VOLT/PH	200-240/1	200-240/3	480/3	600/3
Hz	60	60	60	60
RPM	1750	1750	1750	1750
NEMA START CODE	D/G	E/H	H	J
INSUL. CLASS	F	B	B	B
FULL LOAD AMPS	8.8/8.3	5.1/4.9	2.4	1.9
LOCKED ROTOR AMSPS	21.5/25.8	13.7/15.4	7.7	7.2
CORD SIZE	14/3	14/4	14/4	14/4
CORD TYPE	SOW	SOW	SOW	SOW
CORD O.D INCH (mm)	0.530 (13.5)	0.570 (14.5)	0.570 (14.5)	0.570 (14.5)

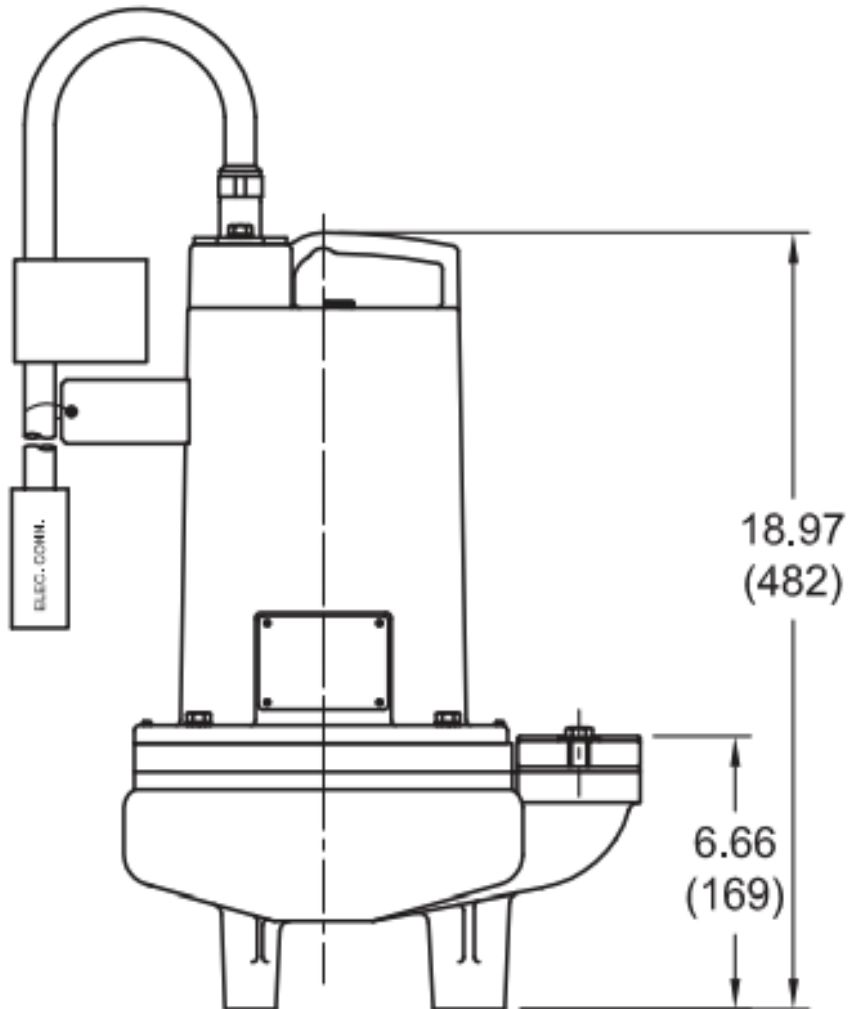
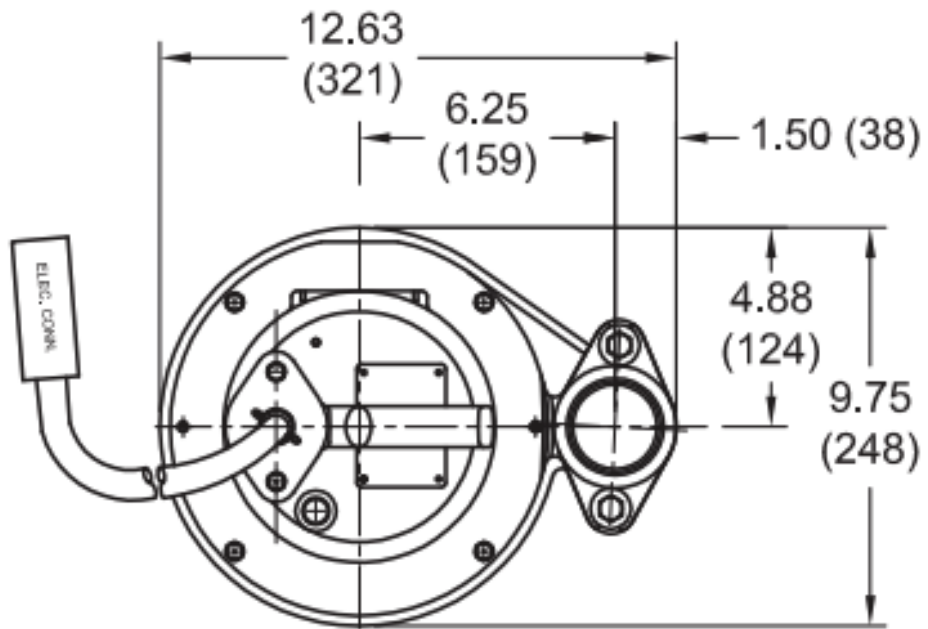


IMPORTANT

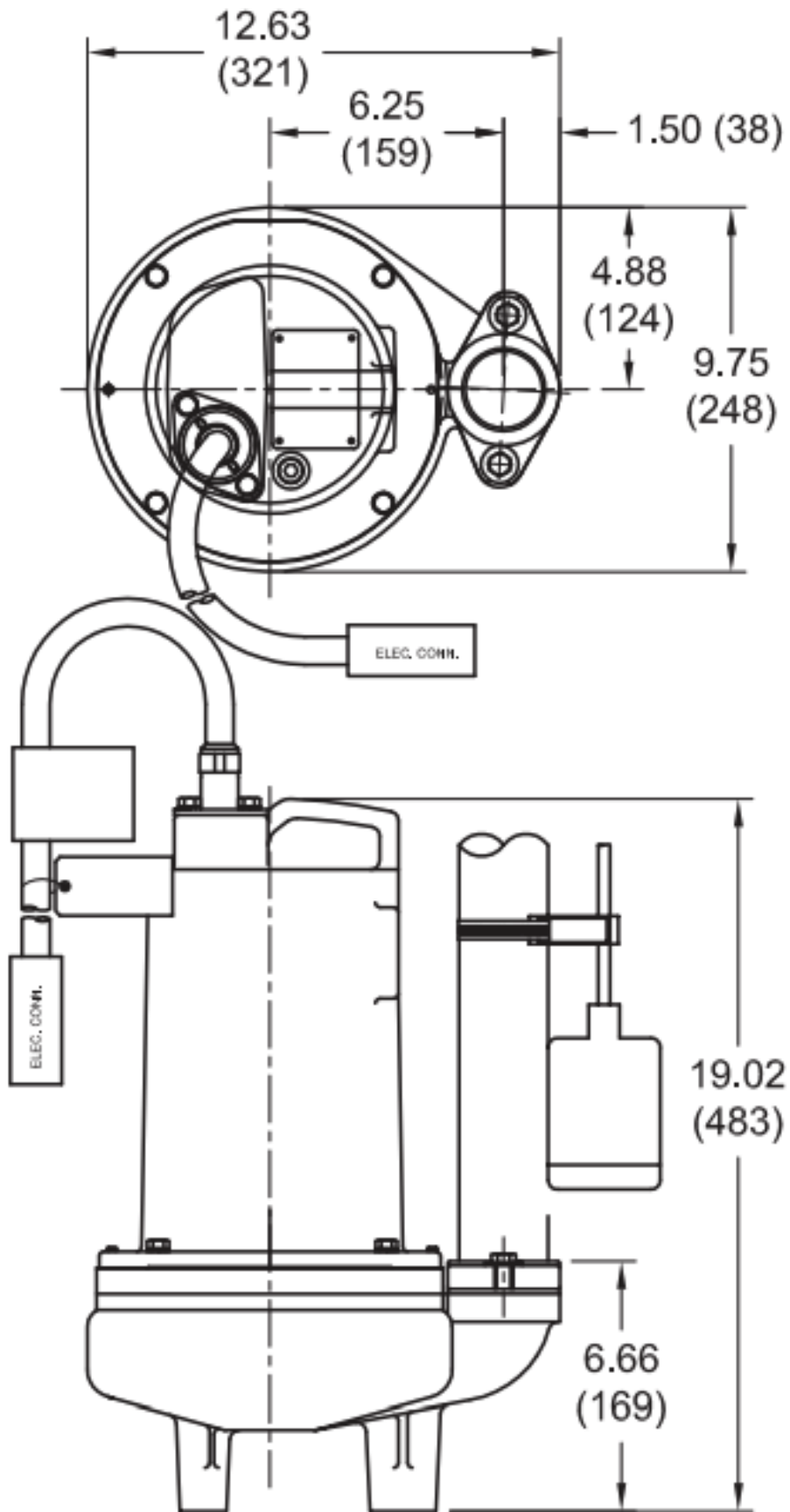
- 1.) PUMP MAY BE OPERATED "DRY" FOR EXTENDED PERIODS WITHOUT DAMAGE TO MOTOR AND/OR SEALS.
- 2.) INSTALLATIONS SUCH AS DECORATIVE FOUNTAINS OR WATER FEATURES PROVIDED FOR VISUAL ENJOYMENT MUST BE INSTALLED IN ACCORDANCE WITH THE NATIONAL ELECTRIC CODE ANSI/NFPA 70 AND/OR THE AUTHORITY HAVING JURISDICTION. THIS PUMP IS NOT INTENDED FOR USE IN SWIMMING POOLS, RECREATIONAL WATER PARKS, OR INSTALLATIONS IN WHICH HUMAN CONTACT WITH PUMPED MEDIA IS A COMMON OCCURRENCE.

Drawings

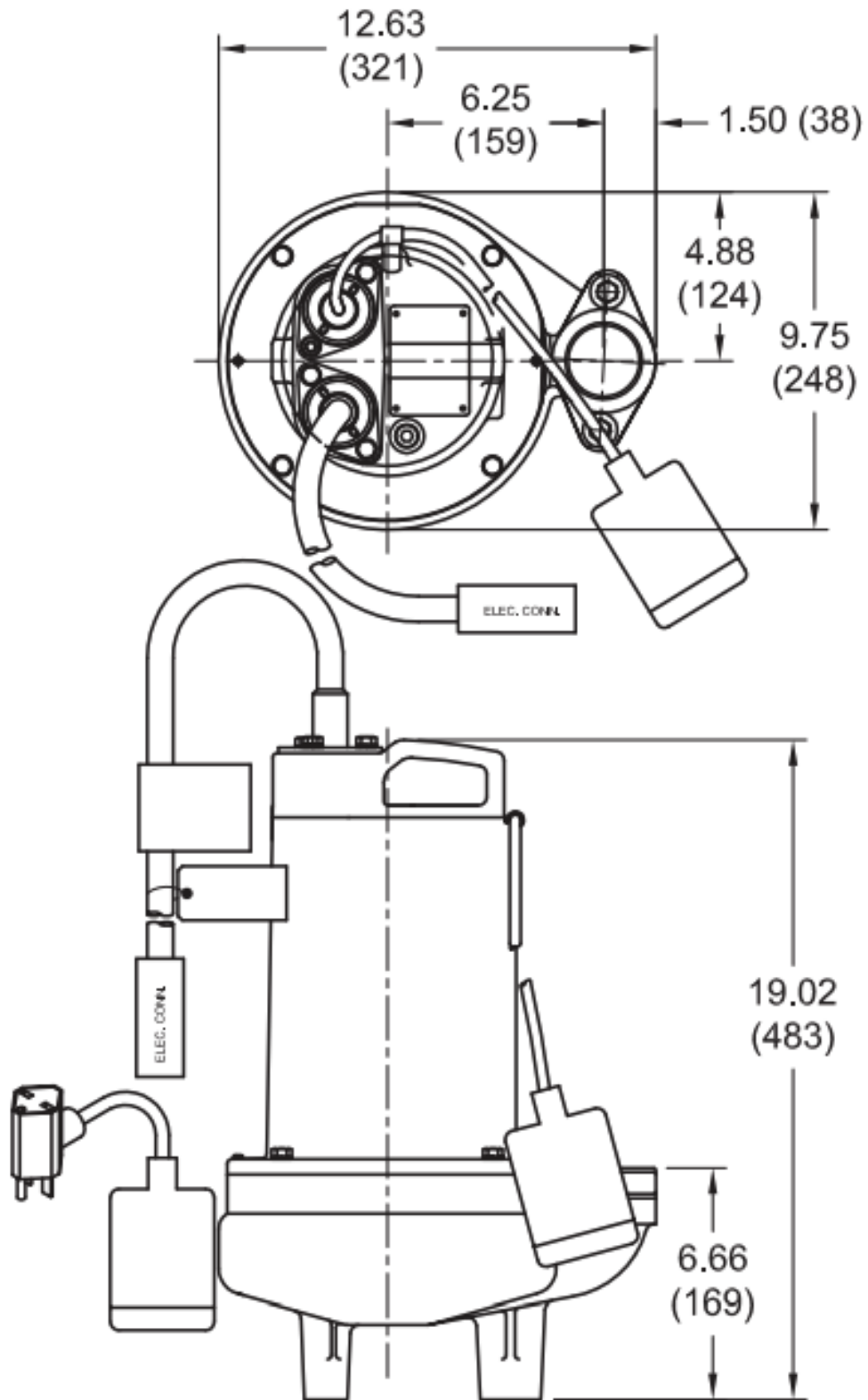
SE51, SE52, SE-L



SE51A



SE51AU & SE52AU



© 2024 Crane Pumps & Systems