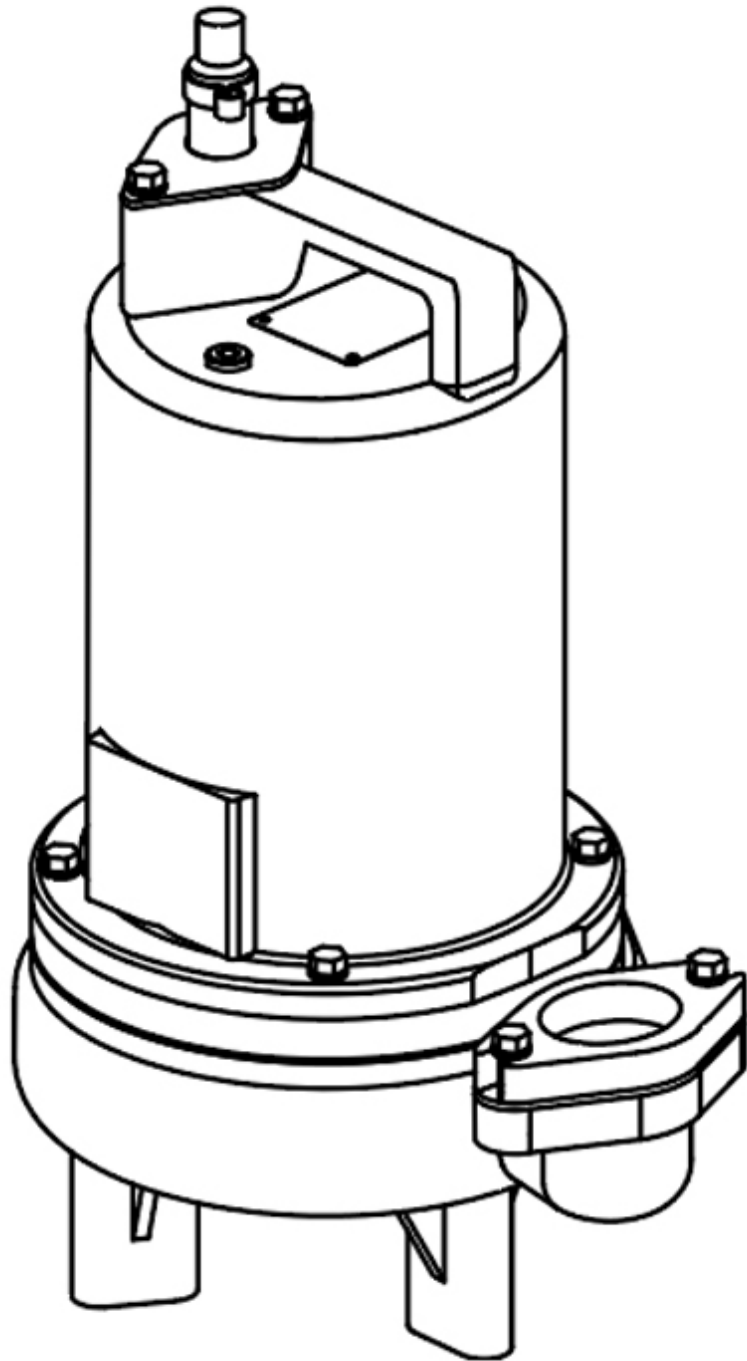


# SE-L – .5HP

**2" Spherical Solids Handling - Manual & Automatic**

**BARNES®**



## Specifications

**DISCHARGE:** 2" NPT, Female, vertical

**SPEED:** 1750 RPM (Nominal)

**LIQUID TEMPERATURE:** 104°F (40°C) Continuous

**MOTOR HOUSING:** Cast iron ASTM A-48, class 30

**IMPELLER:**

- **Design:** 2 Vane, open, with pump out vanes on back side. Dynamically balanced, ISO G6.3
- **Material:** Cast iron ASTM A-48, class 30

**CORD ENTRY:** 15 ft. (5m) Quick disconnect cord with plug On 115 volt, pressure grommet for sealing and strain relief

**SINGLE PHASE:** Permanent split capacitor (PSC) includes overload protection in motor

**THREE PHASE:** 200-240/480 is Tri-Voltage motor 600V. Requires overload Protection to be included in control panel

**MOTOR:**

- **Design:** NEMA L -single phase, NEMA B -three phase torque curve, oil filled, squirrel cage induction
- **Insulation:** Class B

**UPPER BEARING:**

- **Design:** Single row, ball
- **Lubrication:** Oil
- **Load:** Radial

**LOWER BEARING:**

- **Design:** Single row, ball
- **Lubrication:** Oil
- **Load:** Radial & thrust

**VOLUTE:** Cast iron ASTM A-48, class 30

**SHAFT:** 416 Stainless steel

**SQUARE RINGS:** Buna-N

**HARDWARE:** 300 Series stainless steel

**PAINT:** Air dry enamel

**SEAL PLATE:** Cast iron ASTM A-48, class 30

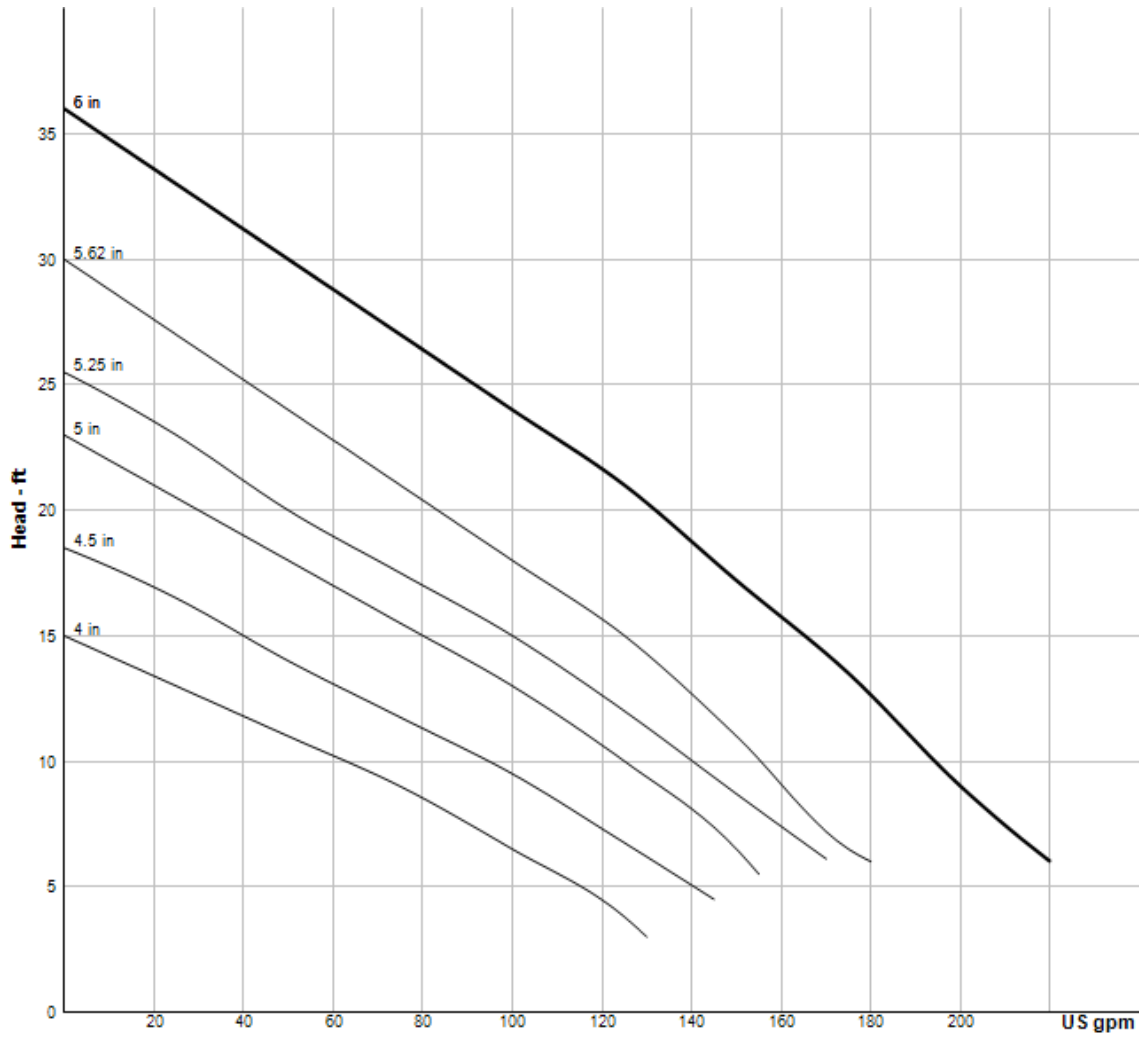
**SEAL KIT P/N:** 130180

**SERVICE KIT P/N:** 130207

**LEVEL CONTROL:** "A" - Wide angle, PVC, mechanical, 15 ft (5m) cord with piggy-back plug, N/O

**LEVEL CONTROL:** "AU"- Wide angle, polypropylene, mechanical, N/O, integral to pump. ON and OFF points are adjustable

# Curves



Pump HP	Impeller Dia mm (in.)
0.5	133 (5.25)
0.75	143 (6.62)
1.00	152 (6.00)

## Model Information

MODEL NO.	SE51	SE51A	SE51AU	SE52	SE52AU	SE594L	SE544L	SE554L
PART NO.	104871	104872	104873	104874	104875	104881	104882	104883
HP	0.5	0.5	0.5	0.5	0.5	0.5	0.5	0.5
VOLT/PH	120/1	120/1	120/1	240/1	240/1	200-240/3	480/3	600/3
Hz	60	60	60	60	60	60	60	60
RPM	1750	1750	1750	1750	1750	1750	1750	1750
NEMA START CODE	F	F	F	J	J	H/L	K	H
INSUL. CLASS	B	B	B	B	B	B	B	B
FULL LOAD AMPS	11.6	11.6	11.6	5.9	5.9	3.2/3.0	1.5	1
LOCKED ROTOR AMSPS	21.3	21.3	21.3	14.9	14.9	9.8/11.0	5.3	3.4
CORD SIZE	14/3	14/3	14/3	14/3	14/3	14/4	14/4	14/4
CORD TYPE	SJTOW	SJTOW	SJTOW	SOW	SOW	SOW	SOW	SOW
CORD O.D INCH (mm)	0.375 (9.5)	0.375 (9.5)	0.375 (9.5)	0.530 (13.5)	0.530 (13.5)	0.570 (14.5)	0.570 (14.5)	0.570 (14.5)

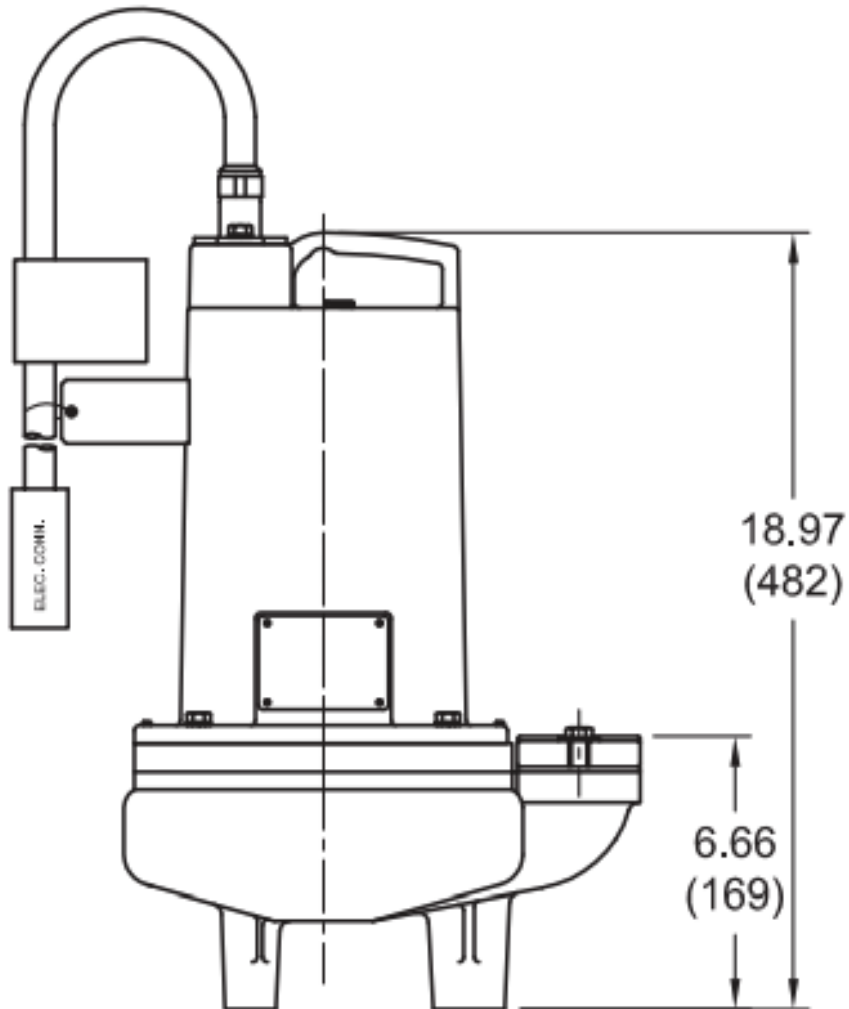
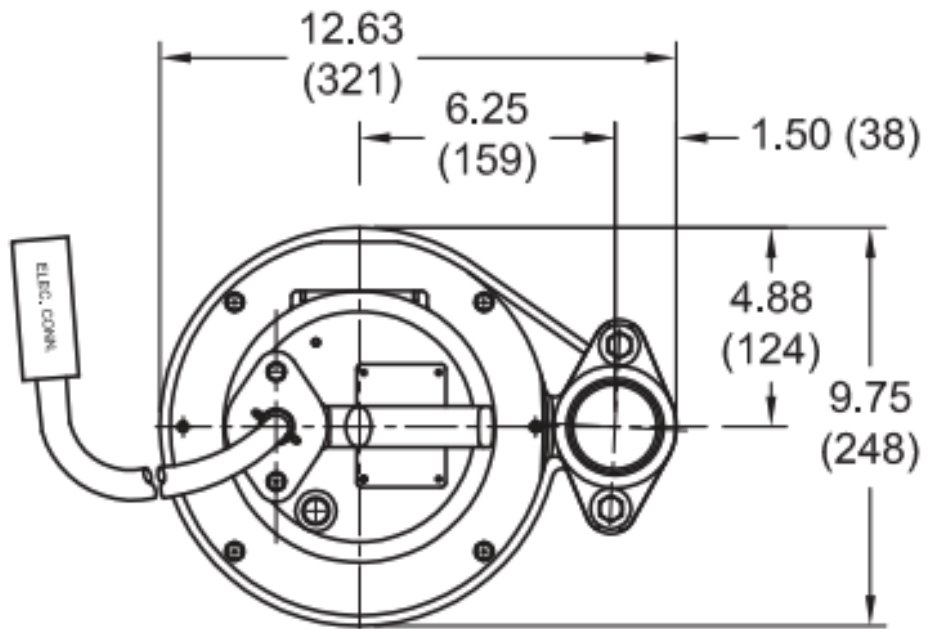


### IMPORTANT

- 1.) PUMP MAY BE OPERATED "DRY" FOR EXTENDED PERIODS WITHOUT DAMAGE TO MOTOR AND/OR SEALS.
- 2.) INSTALLATIONS SUCH AS DECORATIVE FOUNTAINS OR WATER FEATURES PROVIDED FOR VISUAL ENJOYMENT MUST BE INSTALLED IN ACCORDANCE WITH THE NATIONAL ELECTRIC CODE ANSI/NFPA 70 AND/OR THE AUTHORITY HAVING JURISDICTION. THIS PUMP IS NOT INTENDED FOR USE IN SWIMMING POOLS, RECREATIONAL WATER PARKS, OR INSTALLATIONS IN WHICH HUMAN CONTACT WITH PUMPED MEDIA IS A COMMON OCCURRENCE.

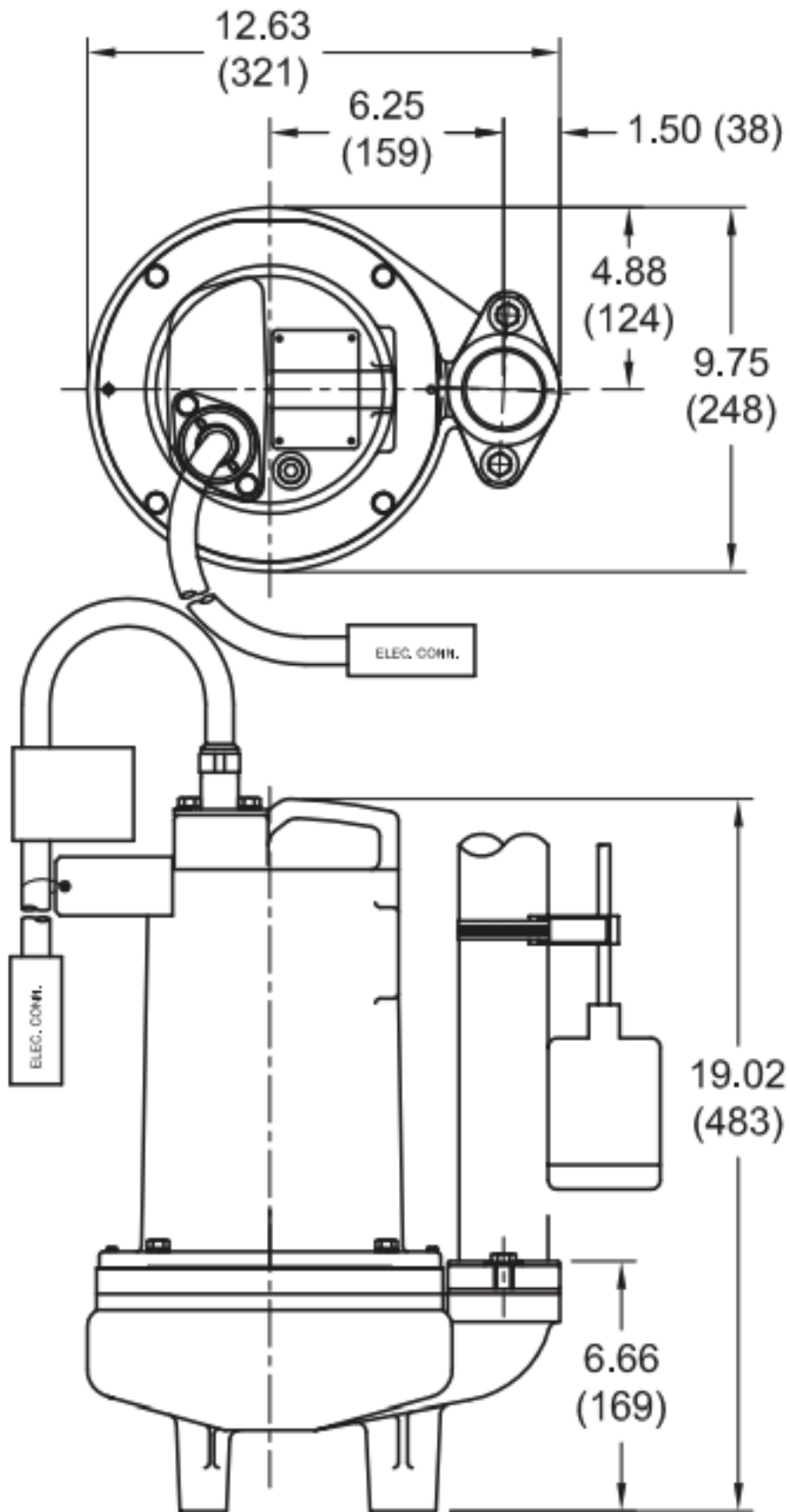
**Drawings**

**SE51, SE52, SE-L**

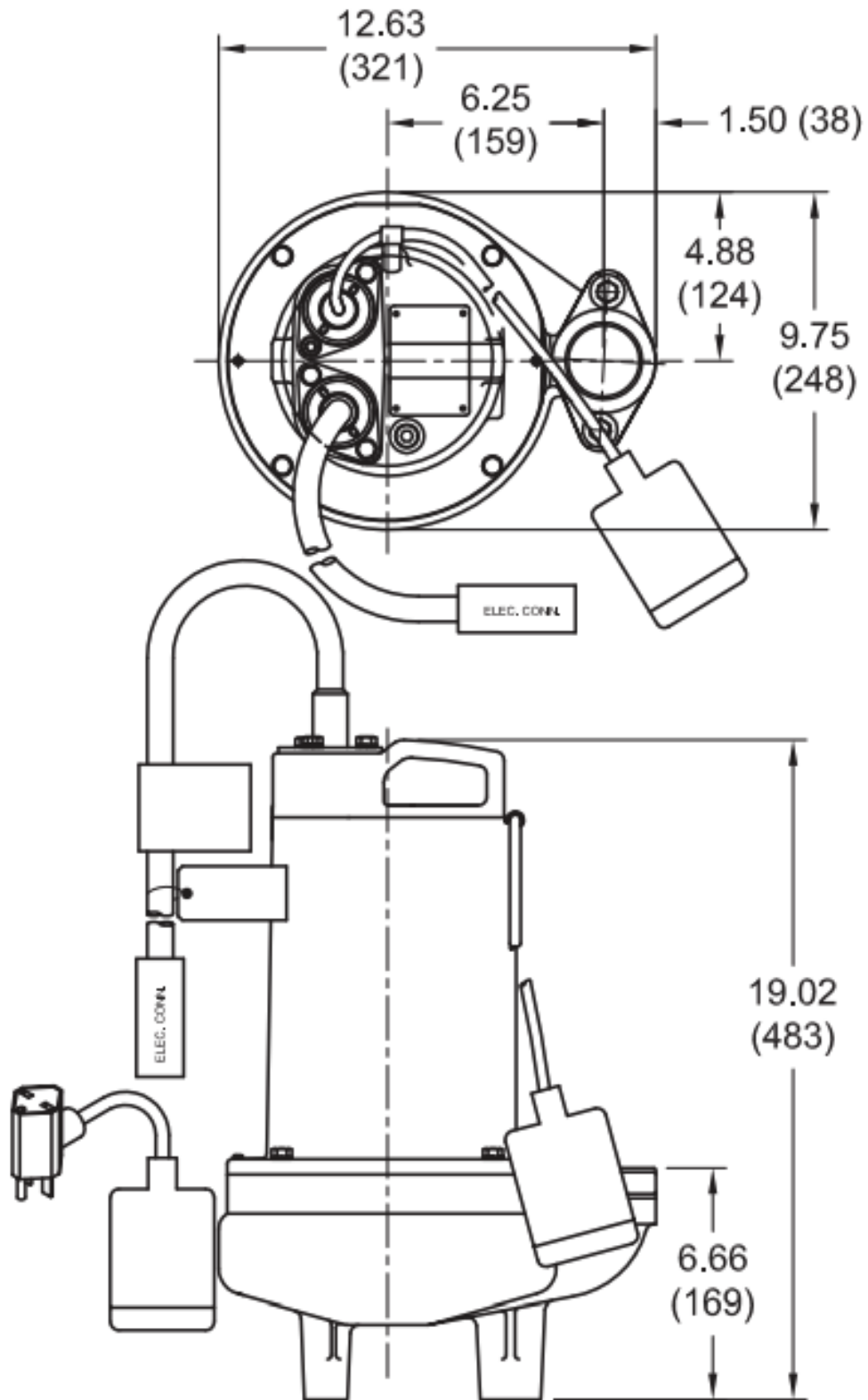


SE51A





SE51AU & SE52AU



---

© 2024 Crane Pumps & Systems