

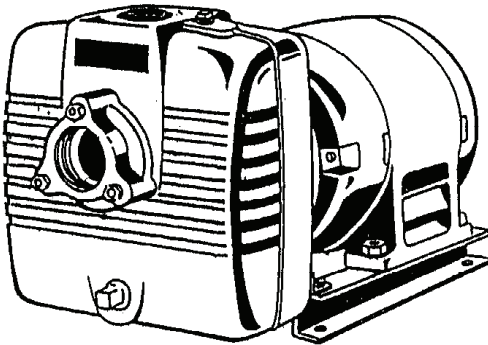
# Series 20CCE

Electric Drive  
3" NPT

# BARNES®

www.cranepumps.com

## Self-Priming Universal/Electric Driven



## Specifications:

SUCTION/DISCHARGE .....	3" x 3" NPT, Female
LIQUID TEMPERATURE .....	160°F (71°C) Continuous
INTERMEDIATE .....	Cast Iron ASTM A-48, Class 30
VOLUTE .....	Cast Iron ASTM A-48, Class 30
BODY .....	Cast Iron ASTM A-48, Class 30
PEDESTAL.....	Cast Iron ASTM A-48, Class 30
IMPELLER: <i>Design</i> .....	Semi-Open, Dynamically Balanced, ISO G6.3
<i>Material</i> .....	Cast Iron ASTM A-48, Class 30
SHAFT .....	Stainless Steel
SHAFT SLEEVE .....	Bronze
SQUARE RINGS .....	Buna-N
HARDWARE .....	Series Stainless Steel
PAINT .....	Air Dry Enamel.
SEAL: <i>Design</i> .....	Mechanical
<i>Lubrication</i> .....	Self-Lubricating
<i>Material</i> .....	Rotating Faces - Carbon Stationary Faces - Ni-Resist Elastomer - Buna-N Hardware - 300 Series Stainless
CHECK VALVE:	
<i>Material</i> .....	Valve Flap-Neoprene Weight-Cast Iron ASTM A-48, Class 30
MOTOR: <i>Design</i> .....	Open Drip Proof, NEMA B - Three Phase, Torque Curve. C-Face, Footed, Squirrel Cage Induction. Marine Duty Per USCG259 and AIEEE-45, 50°C Ambient
<i>Insulation</i> .....	Class B
THREE PHASE .....	Dual Voltage 230/460
OPTIONAL EQUIPMENT.....	Seal Material, TEFC Motors

**Series: 20CCE**  
**10HP, 3450RPM**  
MAX SPHERE 3/4"

### DESCRIPTION:

SELF-PRIMING CENTRIFUGAL PUMPS  
DESIGNED FOR MARINE, MUNICIPAL AND  
INDUSTRIAL APPLICATIONS



**WARNING:**  
CANCER AND REPRODUCTIVE HARM -  
WWW.P65WARNINGS.CA.GOV

SECTION 4E  
PAGE 10  
DATE 12/18

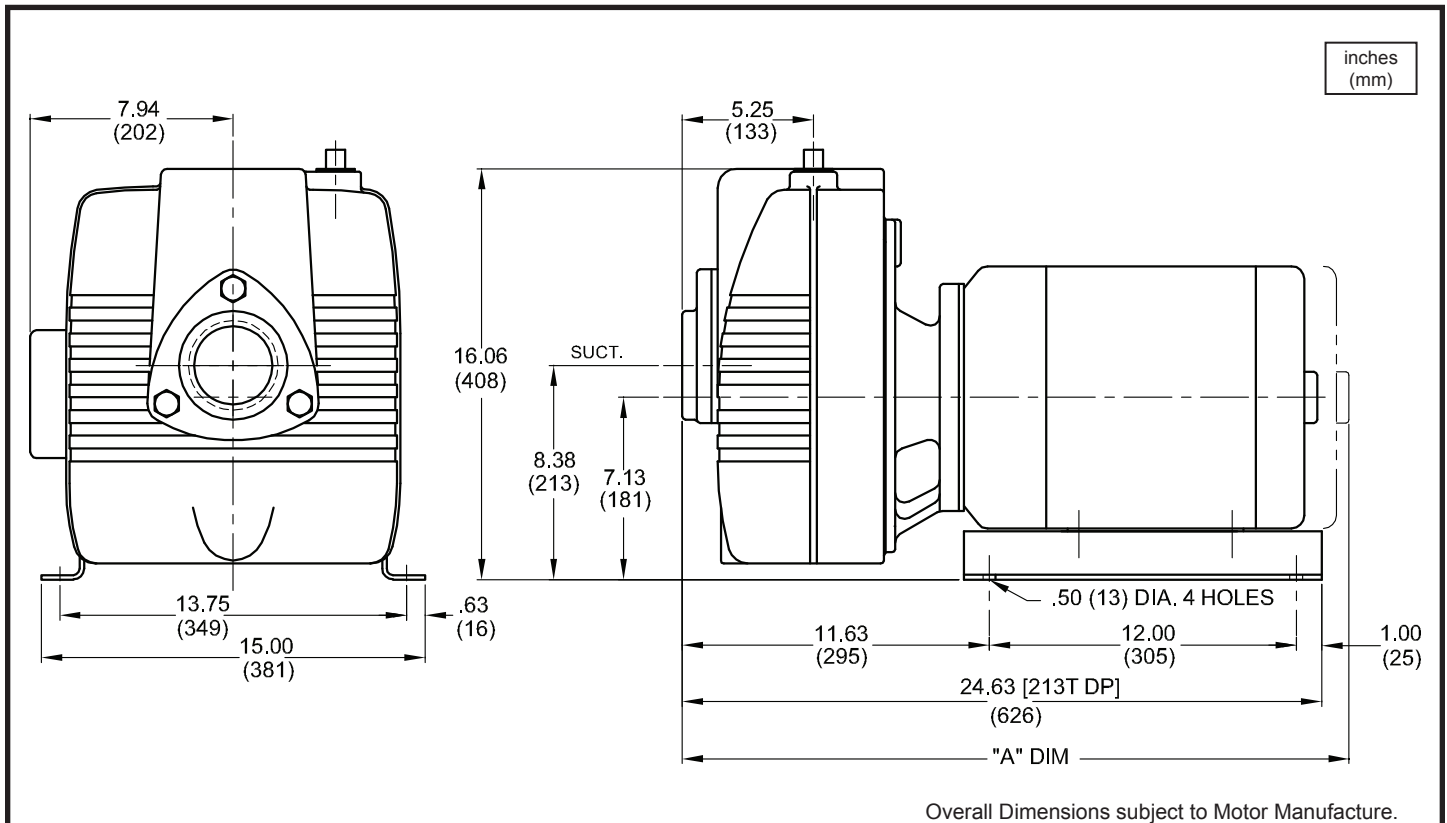
**CRANE®**

A Crane Co. Company

**PUMPS & SYSTEMS**

USA: (937) 778-8947 • Canada: (905) 457-6223 • International: (937) 615-3598

### Self-Priming Universal/Electric Driven



MODEL NO	PART NO	MOTOR DESIGN	HP	VOLT	PH	Hz	RPM (Nom)	FULL LOAD AMPS	LOCKED ROTOR AMPS	WEIGHT NET LBS (kg)
20CCE	028510	ODP	10	230/460	3	60	3450	28/14	162/81	294 (133)
20CCE	028510H	TEFC	10	230/460	3	60	3450	12 @ 460	115 @ 460	330 (150)

OPTIONAL MOTOR FRAMES	"A" DIM		
	215T - ODP	213T - TEFC	215T - TEFC
	25.69 (653)	26.88 (683)	27.63 (702)

**IMPORTANT !**

- DO NOT USE FOR PUMPING FLUIDS WITH A FLASH POINT OF LESS THAN 100°F.
- MAKE CERTAIN THAT PUMP AND/OR MOTOR ASSEMBLY AND CONTROLS HAVE THE APPROPRIATE RATINGS FOR THE GIVEN APPLICATION AREA CLASSIFICATION. (ie DIVISION I, AGENCY LISTING ETC.)

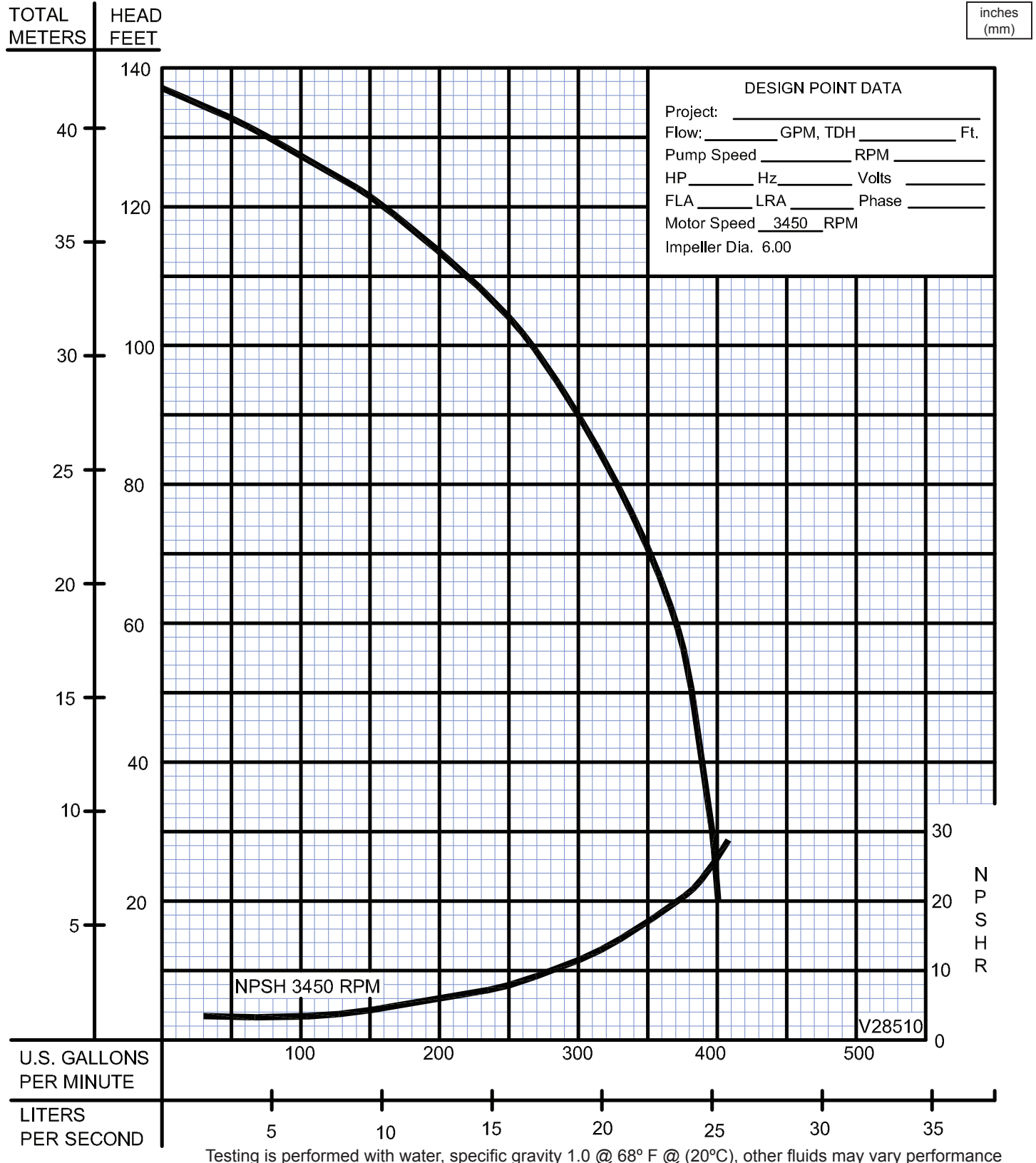
# Series 20CCE

Performance Curve  
Electric Drive

# BARNES®

www.cranepumps.com

## Self-Priming Universal/Electric Driven



SECTION 4E  
PAGE 12  
DATE 5/05

**CRANE**  
A Crane Co. Company

**PUMPS & SYSTEMS**

USA: (937) 778-8947 • Canada: (905) 457-6223 • International: (937) 615-3598