

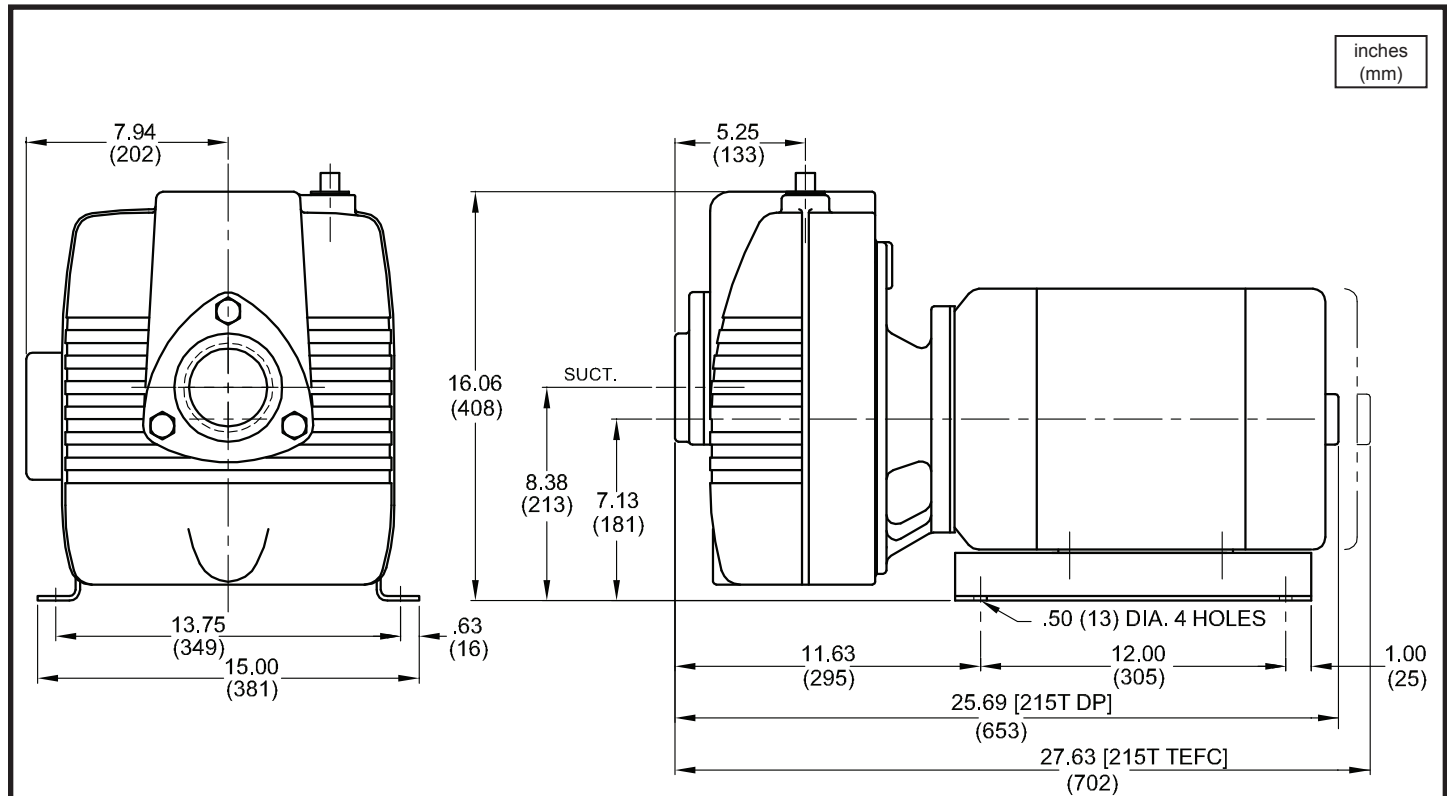
Series 25CCE

Electric Drive
3" NPT

BARNES®

www.cranepumps.com

Self-Priming Universal/Electric Driven



Overall Dimensions subject to Motor Manufacture.

MODEL NO	PART NO	MOTOR DESIGN	HP	VOLT	PH	Hz	RPM (Nom)	FULL LOAD AMPS	LOCKED ROTOR AMPS	WEIGHT NET LBS (kg)
25CCE	028512	ODP	15	230/460	3	60	3450	42/21	232/116	322 (146)
25CCE	028512D	TEFC	15	230/460	3	60	3450	18.5 @ 460	125 @ 460	384 (174)

IMPORTANT !

- DO NOT USE FOR PUMPING FLUIDS WITH A FLASH POINT OF LESS THAN 100°F.
- MAKE CERTAIN THAT PUMP AND/OR MOTOR ASSEMBLY AND CONTROLS HAVE THE APPROPRIATE RATINGS FOR THE GIVEN APPLICATION AREA CLASSIFICATION. (ie DIVISION I, AGENCY LISTING ETC.)

SECTION 4E
PAGE 14
DATE 6/18

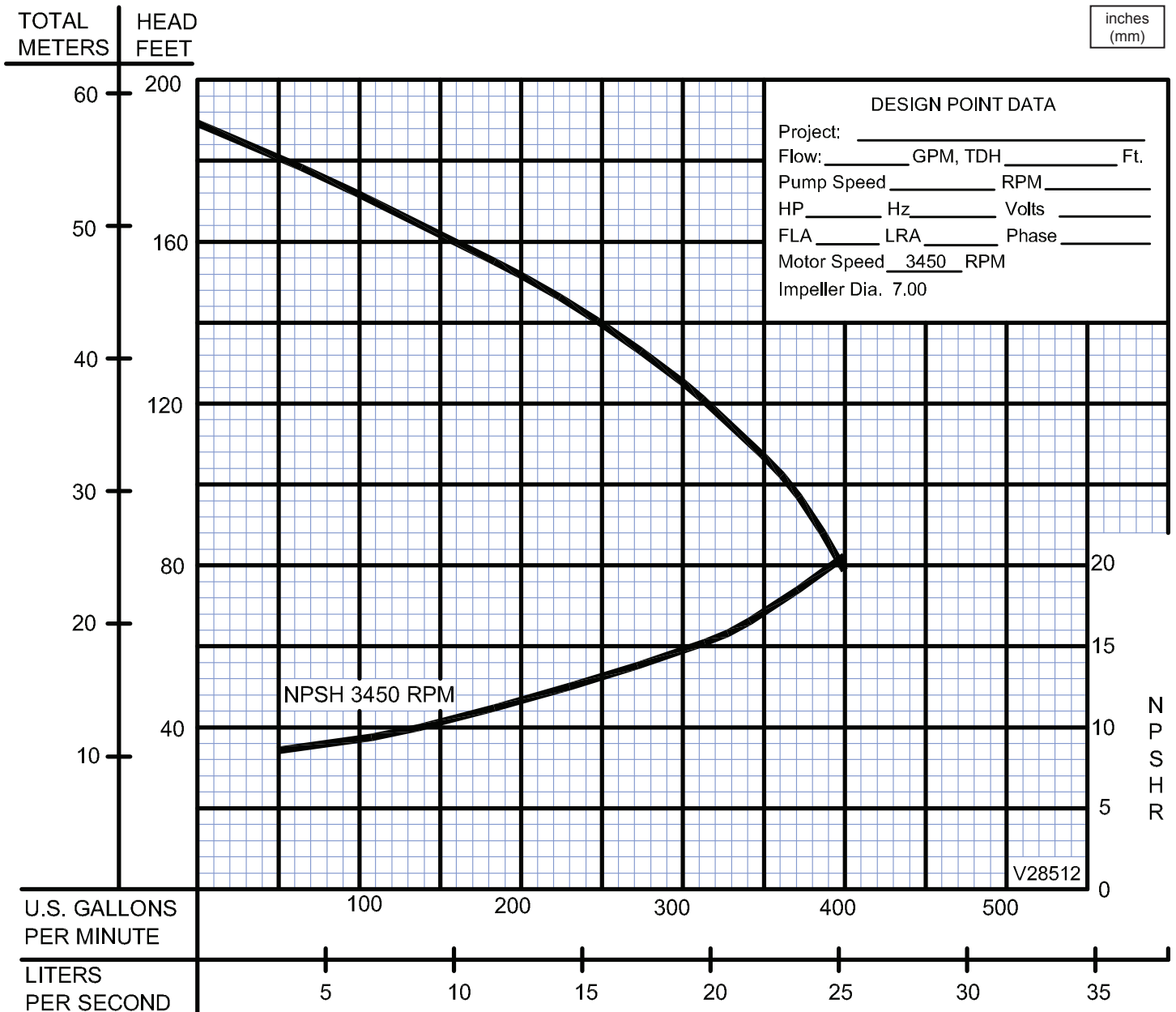
CRANE®

A Crane Co. Company

PUMPS & SYSTEMS

USA: (937) 778-8947 • Canada: (905) 457-6223 • International: (937) 615-3598

Self-Priming Universal/Electric Driven



Testing is performed with water, specific gravity 1.0 @ 68° F @ (20°C), other fluids may vary performance