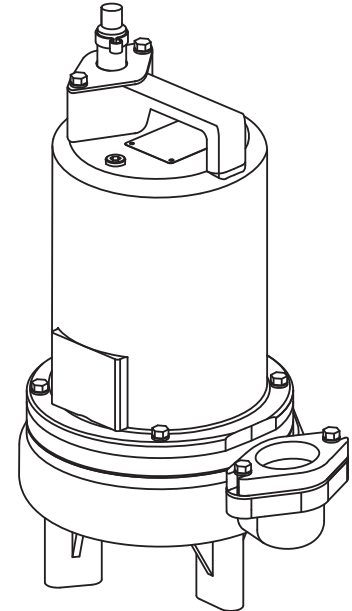


DISCHARGE	2" NPT, Female, Vertical, Bolt-on Flange
LIQUID TEMPERATURE	104°F (40°C) Continuous
VOLUTE	Cast Iron ASTM A-48, Class 30
MOTOR HOUSING	Cast Iron ASTM A-48, Class 30
SEAL PLATE	Cast Iron ASTM A-48, Class 30
IMPELLER: Design	Vortex, open, with pump out vanes on back side. Dynamically balanced, ISO G6.3
<i>Material</i>	Cast Iron ASTM A-48, Class 30
SHAFT	416 Stainless Steel
SQUARE RINGS	Buna-N
HARDWARE	300 Series Stainless Steel
PAINT	Air Dry Enamel
SEAL: Design	Single Mechanical
<i>Material</i>	Carbon/Ceramic/Buna-N
	Hardware -300 Series Stainless
CORD ENTRY	20 ft. (6m) Cord. Quick connect custom molded for sealing and strain relief. Plug supplied on 120V, 0.50HP, units.
SPEED	1750 & 3450 RPM (Nominal)
UPPER BEARING	Single Row, Ball, Oil lubricated
<i>Load</i>	Radial
LOWER BEARING	Single Row, Ball, Oil lubricated
<i>Load</i>	Radial & Thrust
MOTOR: Design	NEMA L -Single Phase, NEMA B -Three phase Torque Curve, Oil Filled, Squirrel Cage Induction
<i>Insulation</i>	Class B
	Class F on selected models
SINGLE PHASE	Permanent Split Capacitor (PSC)
	Includes Overload Protection in Motor
THREE PHASE	200-240/480 is Tri-Voltage. 600V. Requires Overload Protection to be included in control panel
OPTIONAL EQUIPMENT	Seal Material, Impeller Trims, Additional cord, Normally Closed Temperature Sensors with cord for 3 phase pumps (Requires relay in control panel).

RECOMMENDED:

<i>Accessories</i>	Break Away Fitting (BAF) Check Valve Control Panel
<i>Seal Kit PN</i>	130180
<i>Service Kit PN</i>	130207



Series: 2SEV-L
0.5, 0.75, 1.0HP,
1750 & 3450RPM, 60Hz

Sample Specifications: Section 1 Page 8.

DESCRIPTION:

SUBMERSIBLE NON-CLOG SEWAGE PUMP
DESIGNED FOR TYPICAL RAW SEWAGE
APPLICATIONS



WARNING:
CANCER AND REPRODUCTIVE HARM -
WWW.P65WARNINGS.CA.GOV



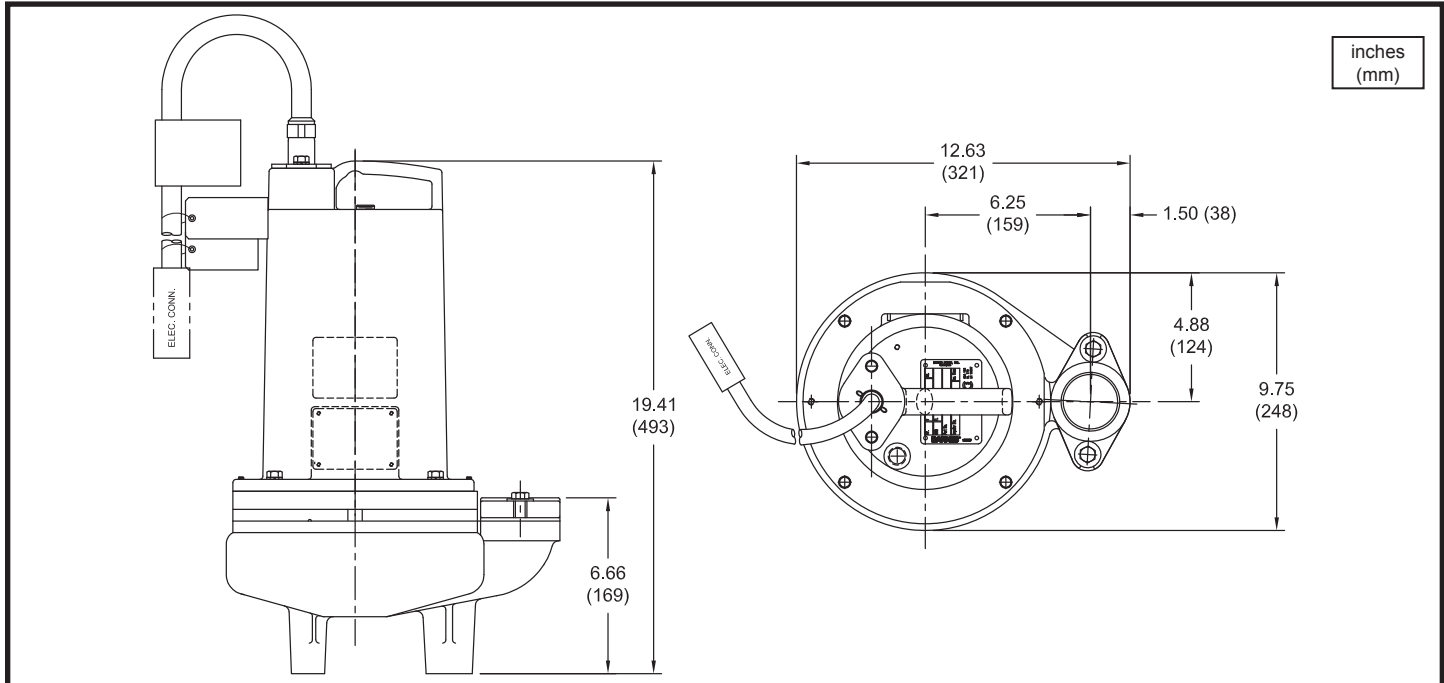
Series 2SEV-L

2" Spherical Solids Handling
Vortex, Single Seal

BARNES®

www.cranepumps.com

2" Discharge



MODEL NO	PART NO	HP	VOLT/PH	Hz	RPM (Nom)	NEMA START CODE	INSUL. CLASS	FULL LOAD AMPS	LOCKED ROTOR AMPS	CORD SIZE	CORD TYPE	CORD O.D. inch (mm)
2SEV514L	104918	0.5	120/1	60	1750	F	B	12.0	21.3	14/3	SJTOW	0.375 (9.5)
2SEV524L	104919	0.5	240/1	60	1750	J	B	6.3	14.9	14/3	SOW	0.530 (13.5)
2SEV594L	104920	0.5	200-240/3	60	1750	H/L	B	3.7/3.8	9.8/11.0	14/4	SOW	0.570 (14.5)
2SEV544L	104921	0.5	480/3	60	1750	K	B	1.9	5.3	14/4	SOW	0.570 (14.5)
2SEV554L	104922	0.5	600/3	60	1750	H	B	1.4	3.4	14/4	SOW	0.570 (14.5)
2SEV724L	104928	0.75	240/1	60	1750	K	F	7.1	25.8	14/3	SOW	0.530 (13.5)
2SEV794L	104929	0.75	200-240/3	60	1750	H/K	B	4.8/4.6	13.7/15.4	14/4	SOW	0.570 (14.5)
2SEV744L	104930	0.75	480/3	60	1750	K	B	2.3	7.7	14/4	SOW	0.570 (14.5)
2SEV754L	104931	0.75	600/3	60	1750	L	B	1.6	7.2	14/4	SOW	0.570 (14.5)
2SEV1024L	104936	1.0	240/1	60	1750	G	F	8.5	25.8	14/3	SOW	0.530 (13.5)
2SEV1094L	104937	1.0	200-240/3	60	1750	E/H	B	5.3/5.1	13.7/15.4	14/3	SOW	0.570 (14.5)
2SEV1044L	104938	1.0	480/3	60	1750	H	B	2.5	7.7	14/4	SOW	0.570 (14.5)
2SEV1054L	104939	1.0	600/3	60	1750	J	B	2.2	7.2	14/4	SOW	0.570 (14.5)
2SEV512L	104970	0.5	120/1	60	3450	G	B	12.6	24.6	14/3	SJTOW	0.375 (9.5)
2SEV522L	104971	0.5	240/1	60	3450	E	B	6.0	10.2	14/3	SOW	0.530 (13.5)
2SEV592L	104972	0.5	200-240/3	60	3450	P/R	B	5.8/5.3	19.9/18.4	14/4	SOW	0.570 (14.5)
2SEV542L	104974	0.5	480/3	60	3450	R	B	2.6	9.1	14/4	SOW	0.570 (14.5)
2SEV552L	104975	0.5	600/3	60	3450	T	B	2.1	8.7	14/4	SOW	0.570 (14.5)
2SEV1022L	104982	1.0	240/1	60	3450	F	B	10.7	21.8	14/3	SOW	0.530 (13.5)
2SEV1092L	104983	1.0	200-240/3	60	3450	H/J	B	7.9/7.5	19.9/18.4	14/3	SOW	0.570 (14.5)
2SEV1042L	104985	1.0	480/3	60	3450	J	B	3.7	9.1	14/4	SOW	0.570 (14.5)
2SEV1052L	104986	1.0	600/3	60	3450	L	B	2.9	8.7	14/4	SOW	0.570 (14.5)

OPTIONAL - Temperature sensor cord for 3 phase models is 14/3 SOW, 0.530 (13.5mm) O.D.

IMPORTANT !

- PUMP MAY BE OPERATED "DRY" FOR EXTENDED PERIODS WITHOUT DAMAGE TO MOTOR AND/OR SEALS.
- INSTALLATIONS SUCH AS DECORATIVE FOUNTAINS OR WATER FEATURES PROVIDED FOR VISUAL ENJOYMENT MUST BE INSTALLED IN ACCORDANCE WITH THE NATIONAL ELECTRIC CODE ANSI/NFPA 70 AND/OR THE AUTHORITY HAVING JURISDICTION. THIS PUMP IS NOT INTENDED FOR USE IN SWIMMING POOLS, RECREATIONAL WATER PARKS, OR INSTALLATIONS IN WHICH HUMAN CONTACT WITH PUMPED MEDIA IS A COMMON OCCURRENCE.

SECTION 1B
PAGE 24
DATE 6/17

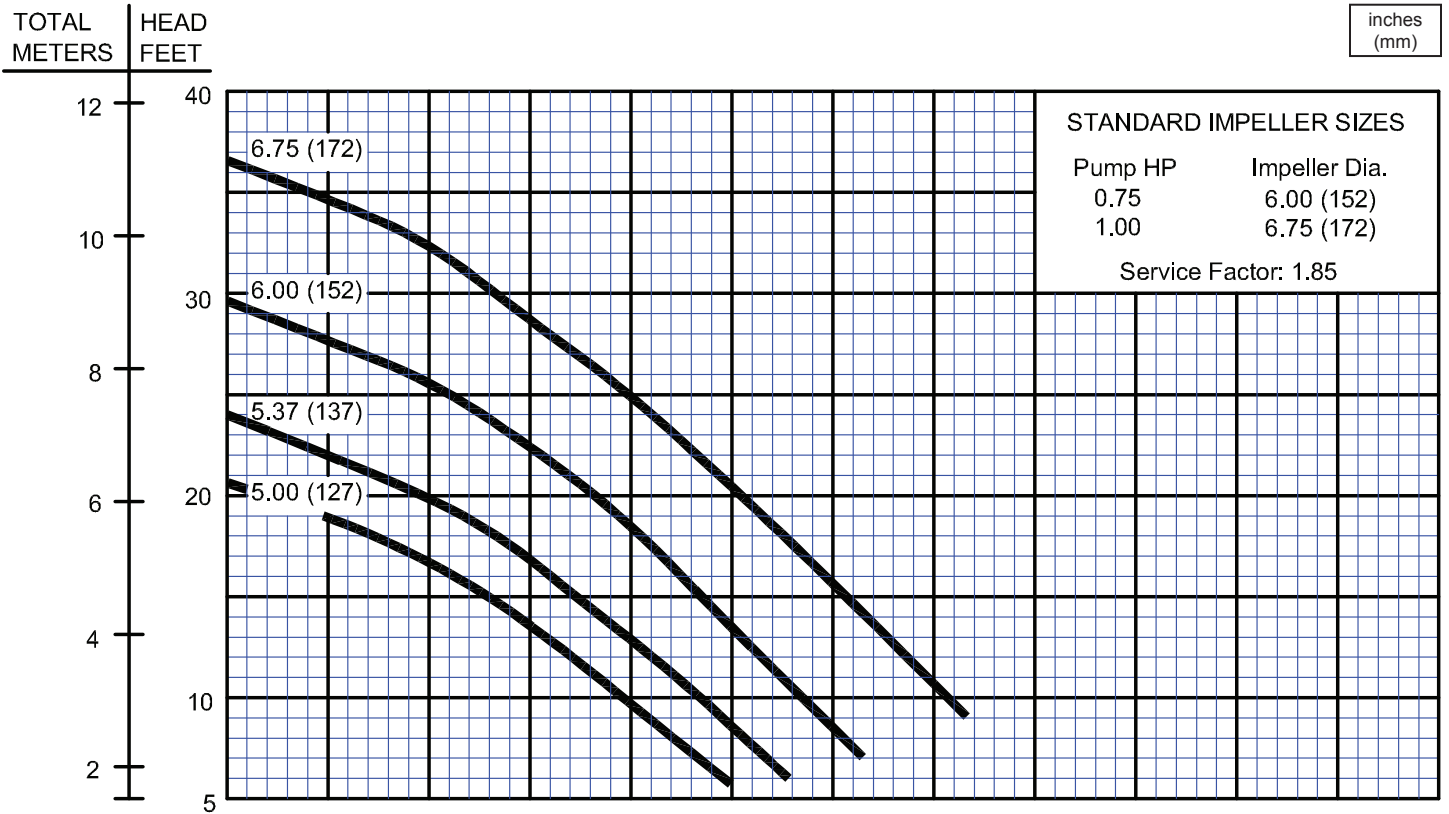
CRANE®

A Crane Co. Company

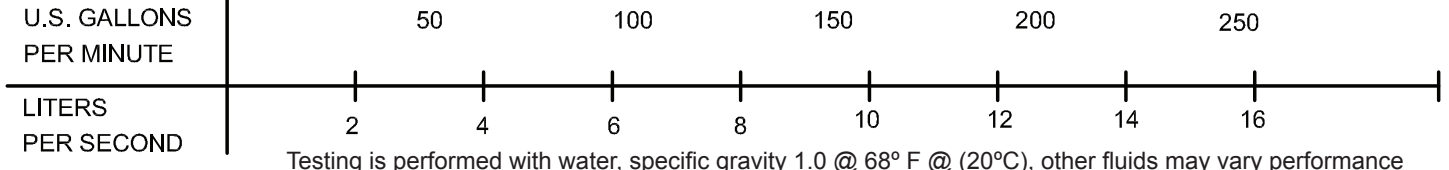
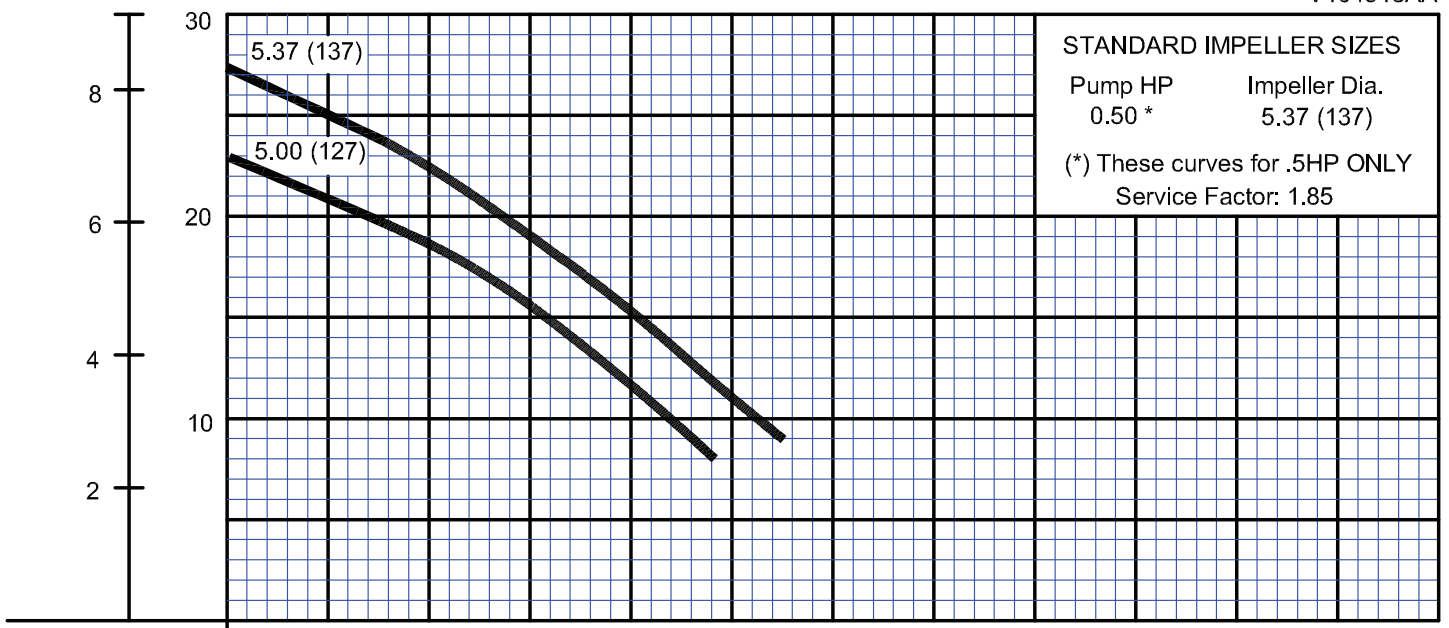
PUMPS & SYSTEMS

USA: (937) 778-8947 • Canada: (905) 457-6223 • International: (937) 615-3598

2" Discharge



V104918AA



Testing is performed with water, specific gravity 1.0 @ 68° F @ (20°C), other fluids may vary performance

Series 2SEV-L

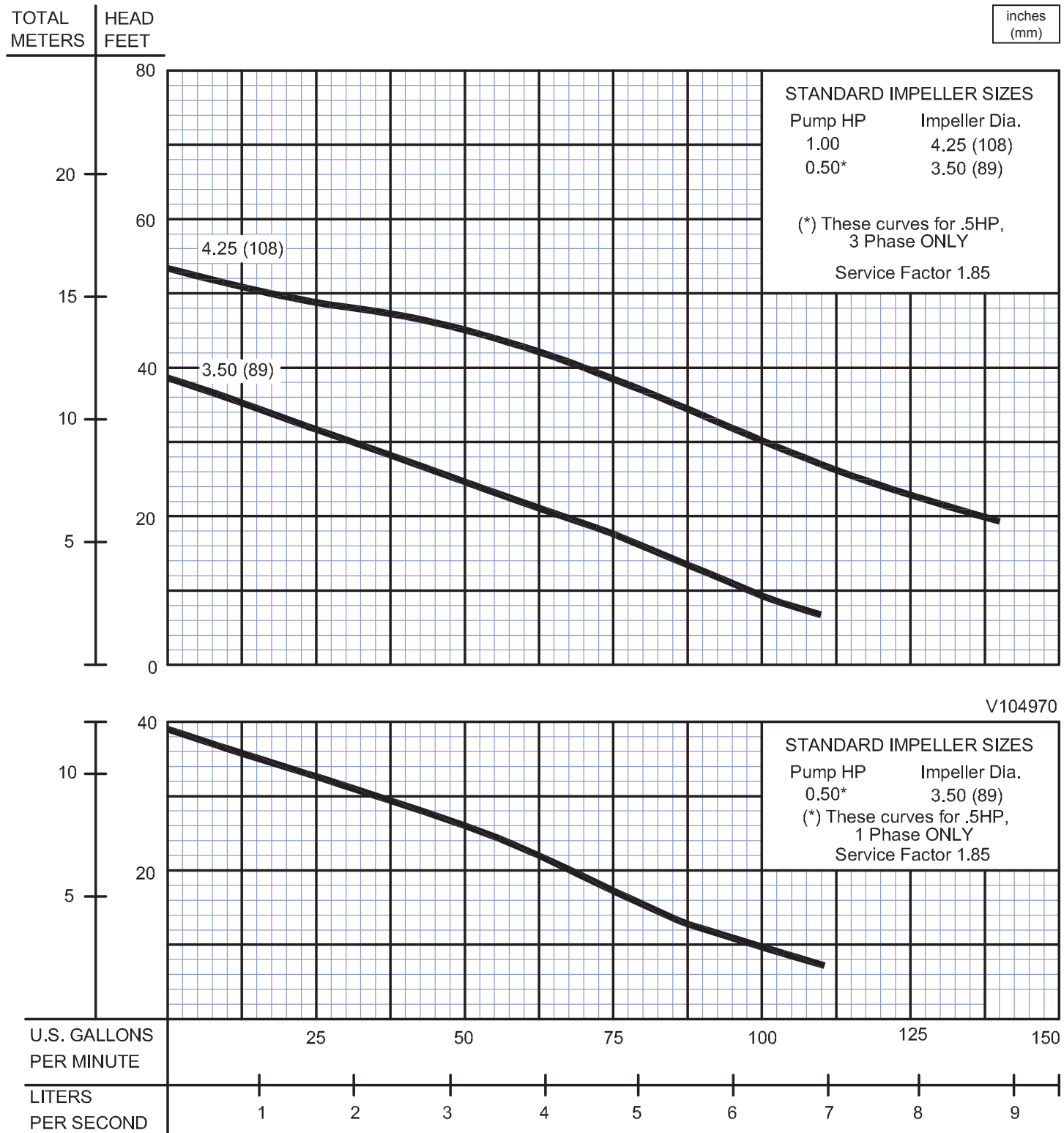
Performance Curve

.5HP & 1HP, 3450RPM, 60Hz

BARNES®

www.cranepumps.com

2" Discharge



Testing is performed with water, specific gravity 1.0 @ 68° F @ (20°C), other fluids may vary performance

SECTION 1B
PAGE 26
DATE 6/04

CRANE
A Crane Co. Company

PUMPS & SYSTEMS

USA: (937) 778-8947 • Canada: (905) 457-6223 • International: (937) 615-3598