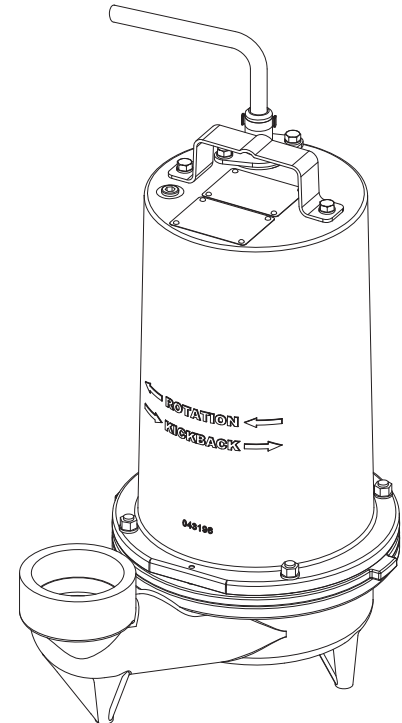


**DISCHARGE** ..... 3" NPT, Female, Vertical  
**LIQUID TEMPERATURE** ..... 104°F (40°C) Continuous  
**VOLUTE** ..... Cast Iron ASTM A-48, Class 30  
**MOTOR HOUSING** ..... Cast Iron ASTM A-48, Class 30  
**SEAL PLATE** ..... Cast Iron, Class 30  
**IMPELLER: Design** ..... 2 Vane, semi-open with pump out vanes on back side. Dynamically balanced, ISO G6.3  
                   *Material* ..... Cast Iron, Class 30  
**SHAFT** ..... 416 Stainless Steel  
**SQUARE RINGS**..... Buna-N  
**HARDWARE** ..... 300 Series Stainless Steel  
**PAINT** ..... Air Dry Enamel  
**SEAL: Design** ..... Single Mechanical, Oil filled reservoir  
                   *Material* ..... Carbon/Ceramic/Buna-N  
   Hardware -300 Series Stainless  
**CORD ENTRY** ..... 30 ft. (9.1m) Cord. Quick connect custom molded for sealing and strain relief  
**SPEED** ..... 3450 RPM (Nominal)  
**UPPER BEARING**..... Single Row, Ball, Oil lubricated  
                   *Load* ..... Radial  
**LOWER BEARING**..... Single Row, Ball, Oil lubricated  
                   *Load* ..... Radial & Thrust  
**MOTOR: Design** ..... NEMA B -Three phase Torque Curve, Oil Filled, Squirrel Cage Induction  
                   *Insulation*..... Class B  
**THREE PHASE** ..... 230/460 is Dual Voltage. 575. Requires overload Protection to be included in control panel  
**OPTIONAL EQUIPMENT**..... Seal Material, Impeller Trims, Additional cord. Temperature Sensor Normally Closed, Requires relay in control panel.

**RECOMMENDED:**

*Accessories*..... Break Away Fitting (BAF)  
   Check Valve  
   Control Panel  
*Seal Kit PN* ..... 130182  
*Service Kit PN*..... 130209



**Series: 3SE-L**  
**3HP, 3450RPM, 60Hz**

Sample Specifications: Section 1 Page 3.

**DESCRIPTION:**

SUBMERSIBLE NON-CLOG SEWAGE PUMP  
DESIGNED FOR TYPICAL RAW SEWAGE  
APPLICATIONS



**WARNING:**

CANCER AND REPRODUCTIVE HARM -  
WWW.P65WARNINGS.CA.GOV



# Series 3SE-L

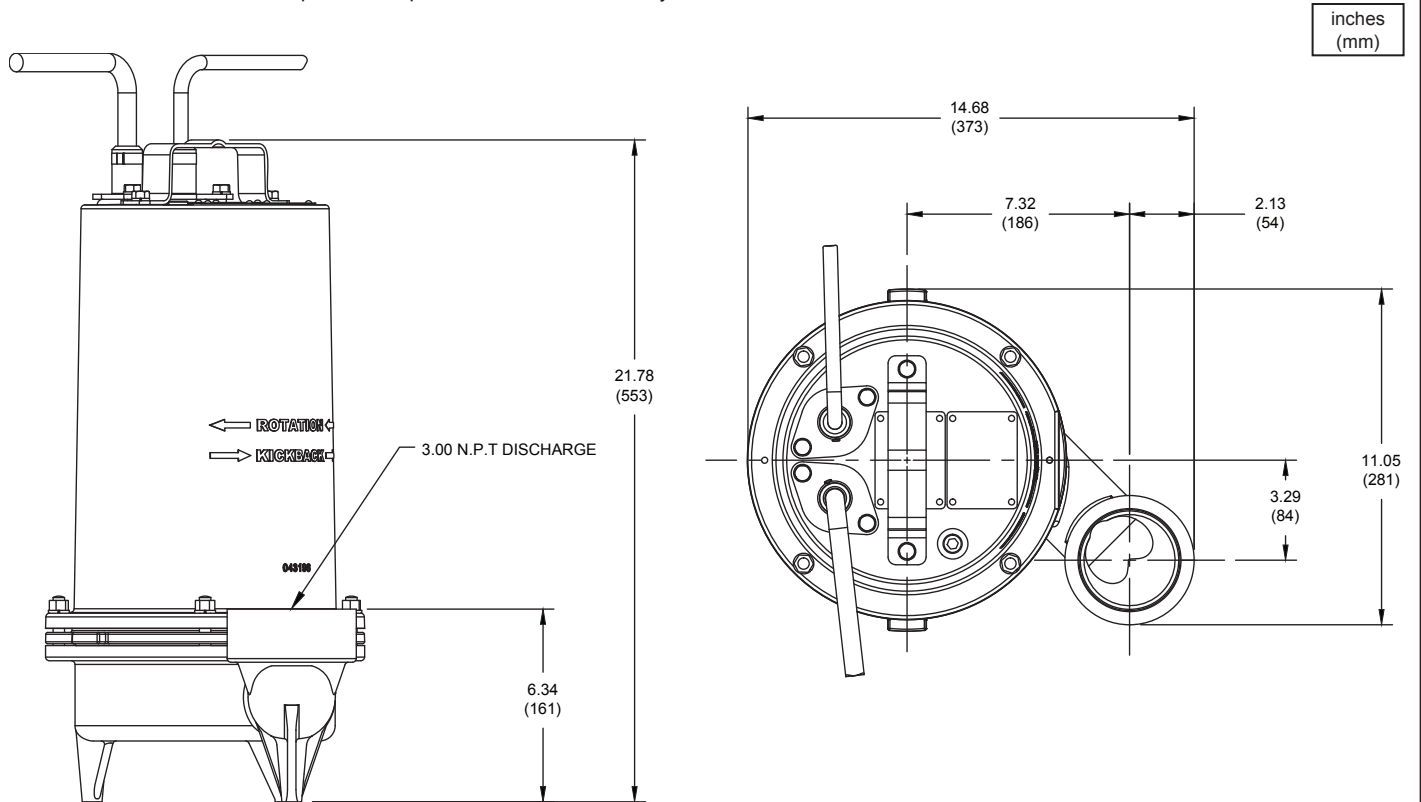
1½" Spherical Solids Handling  
Single Seal

# BARNES®

www.cranepumps.com

## 1½", 2" & 3" Discharge

Shown with Power Cord and Optional Temperature Sensor Cord Entry



MODEL NO	PART NO	HP	VOLT/PH	Hz	RPM (Nom)	NEMA START CODE	FULL LOAD AMPS	LOCKED ROTOR AMPS	CORD SIZE	CORD TYPE	CORD O.D. inch (mm)
3SE3032L	133153	3.0	230/3	60	3450	B	16.4	40.0	12/4	SOOW/SOW	.68 (17.4)
3SE3042L	133154	3.0	460/3	60	3450	B	8.2	20.0	14/4	SOOW/SOW	.57 (14.5)
3SE3052L	133155	3.0	575/3	60	3450	B	6.5	16.0	14/4	SOOW/SOW	.57 (14.5)

OPTIONAL - Temperature sensor cord for 3 phase models is 18/5 SOOW/SOW, 0.470 (11.9mm) O.D.

### IMPORTANT !

- PUMP MAY BE OPERATED "DRY" FOR EXTENDED PERIODS WITHOUT DAMAGE TO MOTOR AND/OR SEALS.
- INSTALLATIONS SUCH AS DECORATIVE FOUNTAINS OR WATER FEATURES PROVIDED FOR VISUAL ENJOYMENT MUST BE INSTALLED IN ACCORDANCE WITH THE NATIONAL ELECTRIC CODE ANSI/NFPA 70 AND/OR THE AUTHORITY HAVING JURISDICTION. THIS PUMP IS NOT INTENDED FOR USE IN SWIMMING POOLS, RECREATIONAL WATER PARKS, OR INSTALLATIONS IN WHICH HUMAN CONTACT WITH PUMPED MEDIA IS A COMMON OCCURRENCE.

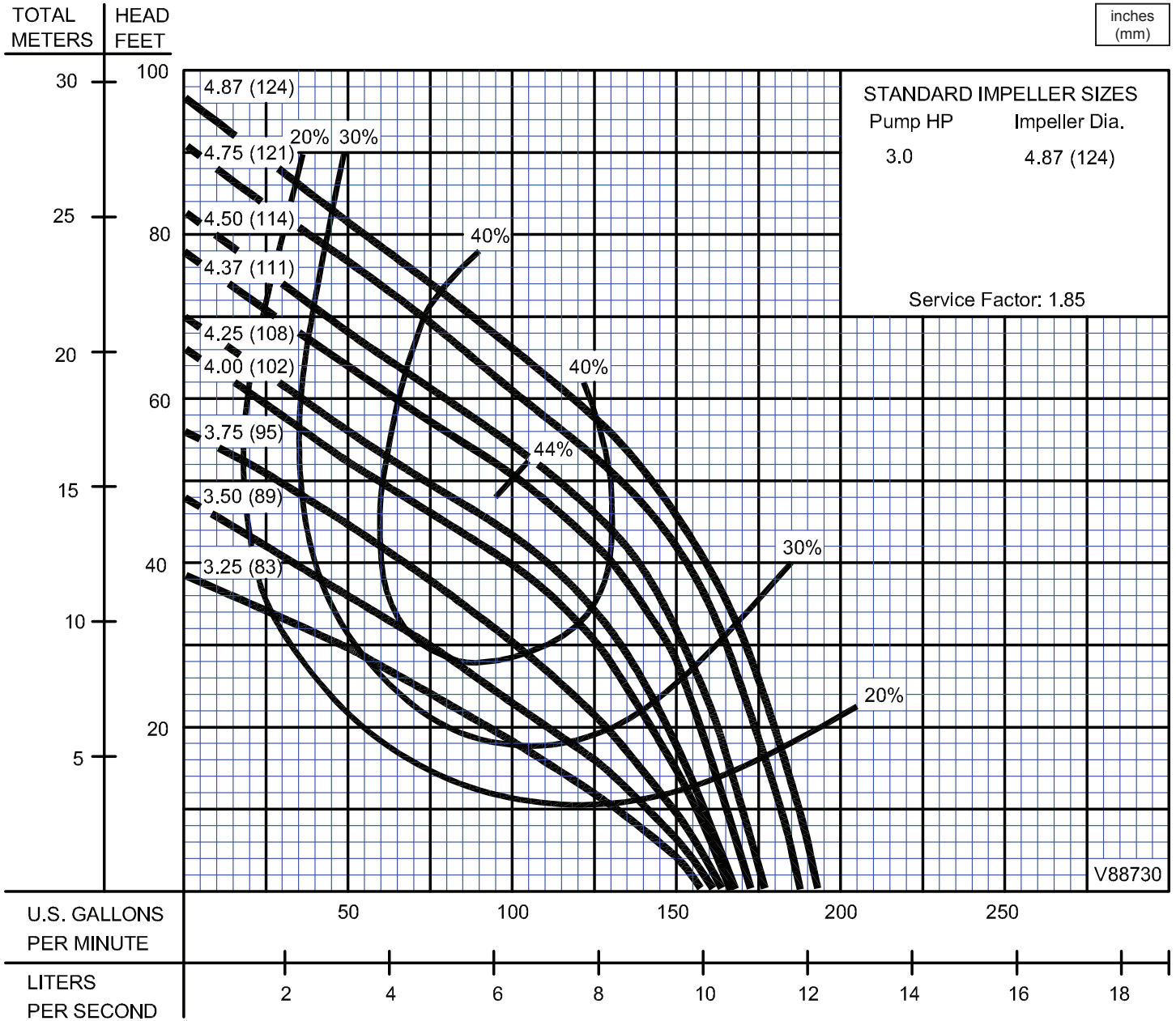
SECTION 1B  
PAGE 70  
DATE 3/14

# CRANE®

A Crane Co. Company

## PUMPS & SYSTEMS

USA: (937) 778-8947 • Canada: (905) 457-6223 • International: (937) 615-3598



Testing is performed with water, specific gravity 1.0 @ 68° F @ (20°C), other fluids may vary performance