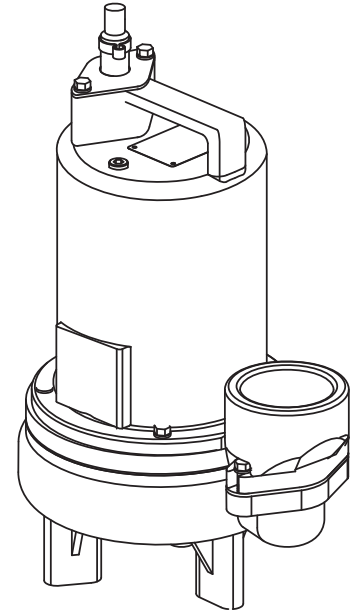


**DISCHARGE** ..... 3" NPT, Female, Vertical, Bolt-on Flange  
**LIQUID TEMPERATURE** ..... 104°F (40°C) Continuous  
**VOLUTE** ..... Cast Iron ASTM A-48, Class 30  
**MOTOR HOUSING** ..... Cast Iron ASTM A-48, Class 30  
**SEAL PLATE** ..... Cast Iron ASTM A-48, Class 30  
**IMPELLER: Design** ..... 2 Vane, open, with pump out vanes on back side. Dynamically balanced, ISO G6.3  
                   **Material** ..... Cast Iron ASTM A-48, Class 30  
**SHAFT** ..... 416 Stainless Steel  
**SQUARE RINGS**..... Buna-N  
**HARDWARE** ..... 300 Series Stainless Steel  
**PAINT** ..... Air Dry Enamel  
**SEAL: Design** ..... Single Mechanical  
                   **Material** ..... Carbon/Ceramic/Buna-N  
   Hardware -300 Series Stainless  
**CORD ENTRY** ..... 30 ft. (9.1m) Cord. Plug on 120 Volt & .5HP. 240 Volt 1 Phase. Quick connect custom molded for sealing and strain relief  
**SPEED** ..... 1750 RPM (Nominal)  
**UPPER BEARING**..... Single Row, Ball, Oil lubricated  
                   **Load**..... Radial  
**LOWER BEARING**..... Single Row, Ball, Oil lubricated  
                   **Load**..... Radial & Thrust  
**MOTOR: Design** ..... NEMA L -Single Phase, NEMA B -Three phase Torque Curve, Oil Filled, Squirrel Cage Induction  
                   **Insulation**..... Class B  
   Class F on selected models  
**SINGLE PHASE**..... Permanent Split Capacitor (PSC)  
   Includes Overload Protection in Motor  
**THREE PHASE** ..... 200-240/480 is Tri-Voltage. 600V. Requires Overload Protection to be included in control panel  
**OPTIONAL EQUIPMENT**..... Seal Material, Impeller Trims, Additional cord, Normally Closed Temperature Sensors with cord for 3 phase pumps (Requires relay in control panel).

**RECOMMENDED:**

**Accessories**..... Break Away Fitting (BAF)  
   Check Valve  
   Control Panel  
**Seal Kit PN** ..... 130180  
**Service Kit PN**..... 130207



**Series: 3SE-L**  
**0.5, 0.75 & 1.0HP,**  
**1750RPM, 60Hz**

Sample Specifications: Section 1 Page 5.

**DESCRIPTION:**

SUBMERSIBLE NON-CLOG SEWAGE PUMP  
 DESIGNED FOR TYPICAL RAW SEWAGE  
 APPLICATIONS



**WARNING:**  
 CANCER AND REPRODUCTIVE HARM -  
 WWW.P65WARNINGS.CA.GOV



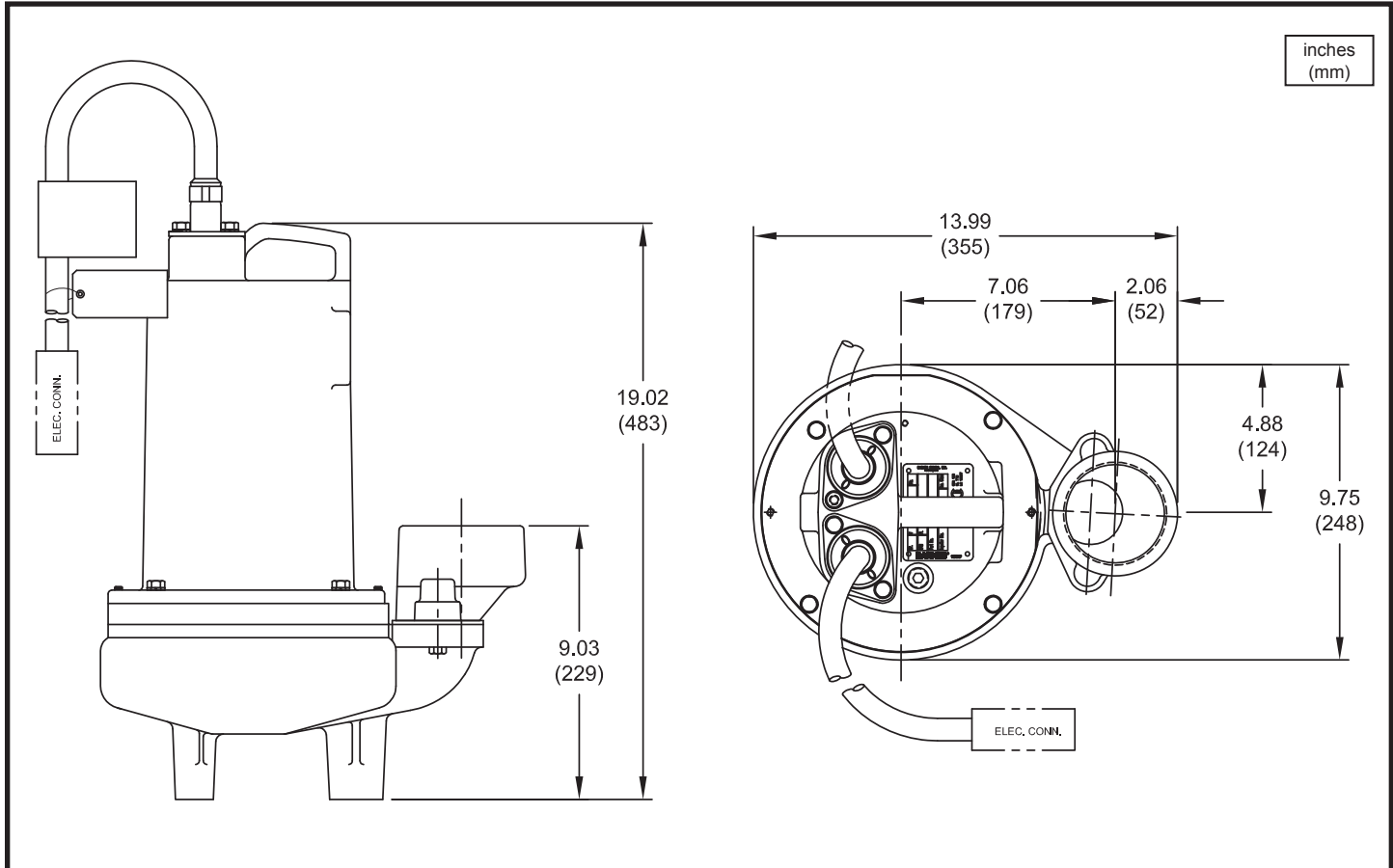
# Series 3SE-L

2" Spherical Solids Handling  
Single Seal

# BARNES®

www.cranepumps.com

1½", 2" & 3" Discharge



MODEL NO	PART NO	HP	VOLT/PH	Hz	RPM (Nom)	NEMA START CODE	INSUL. CLASS	FULL LOAD AMPS	LOCKED ROTOR AMPS	CORD SIZE	CORD TYPE	CORD O.D. inch (mm)
3SE514L	104892	0.5	120/1	60	1750	F	B	11.6	21.3	14/3	SJTOW	0.375 (9.5)
3SE524L	104893	0.5	240/1	60	1750	J	B	5.9	14.9	14/3	SOW	0.530 (13.5)
3SE594L	104894	0.5	200-240/3	60	1750	H/L	B	3.2/3.0	9.8/11.0	14/4	SOW	0.570 (14.5)
3SE544L	104895	0.5	480/3	60	1750	K	B	1.5	5.3	14/4	SOW	0.570 (14.5)
3SE554L	104896	0.5	600/3	60	1750	H	B	1.0	3.4	14/4	SOW	0.570 (14.5)
3SE774L	104902	0.75	200-240/1	60	1750	G/K	F	7.4/7.0	21.5/25.8	14/3	SOW	0.530 (13.5)
3SE794L	104903	0.75	200-240/3	60	1750	H/K	B	4.8/4.5	13.7/15.4	14/4	SOW	0.570 (14.5)
3SE744L	104904	0.75	480/3	60	1750	K	B	2.2	7.7	14/4	SOW	0.570 (14.5)
3SE754L	104905	0.75	600/3	60	1750	L	B	1.5	7.2	14/4	SOW	0.570 (14.5)
3SE1074L	104910	1.0	200-240/1	60	1750	D/G	F	8.8/8.3	21.5/25.8	14/3	SOW	0.530 (13.5)
3SE1094L	104911	1.0	200-240/3	60	1750	E/H	B	5.3/5.1	13.7/15.4	14/4	SOW	0.570 (14.5)
3SE1044L	104912	1.0	480/3	60	1750	H	B	2.4	7.7	14/4	SOW	0.570 (14.5)
3SE1054L	104913	1.0	600/3	60	1750	J	B	1.9	7.2	14/4	SOW	0.570 (14.5)

OPTIONAL - Temperature sensor cord for 3 phase models is 14/3 SOW, 0.530 (13.5mm) O.D.

**IMPORTANT !**

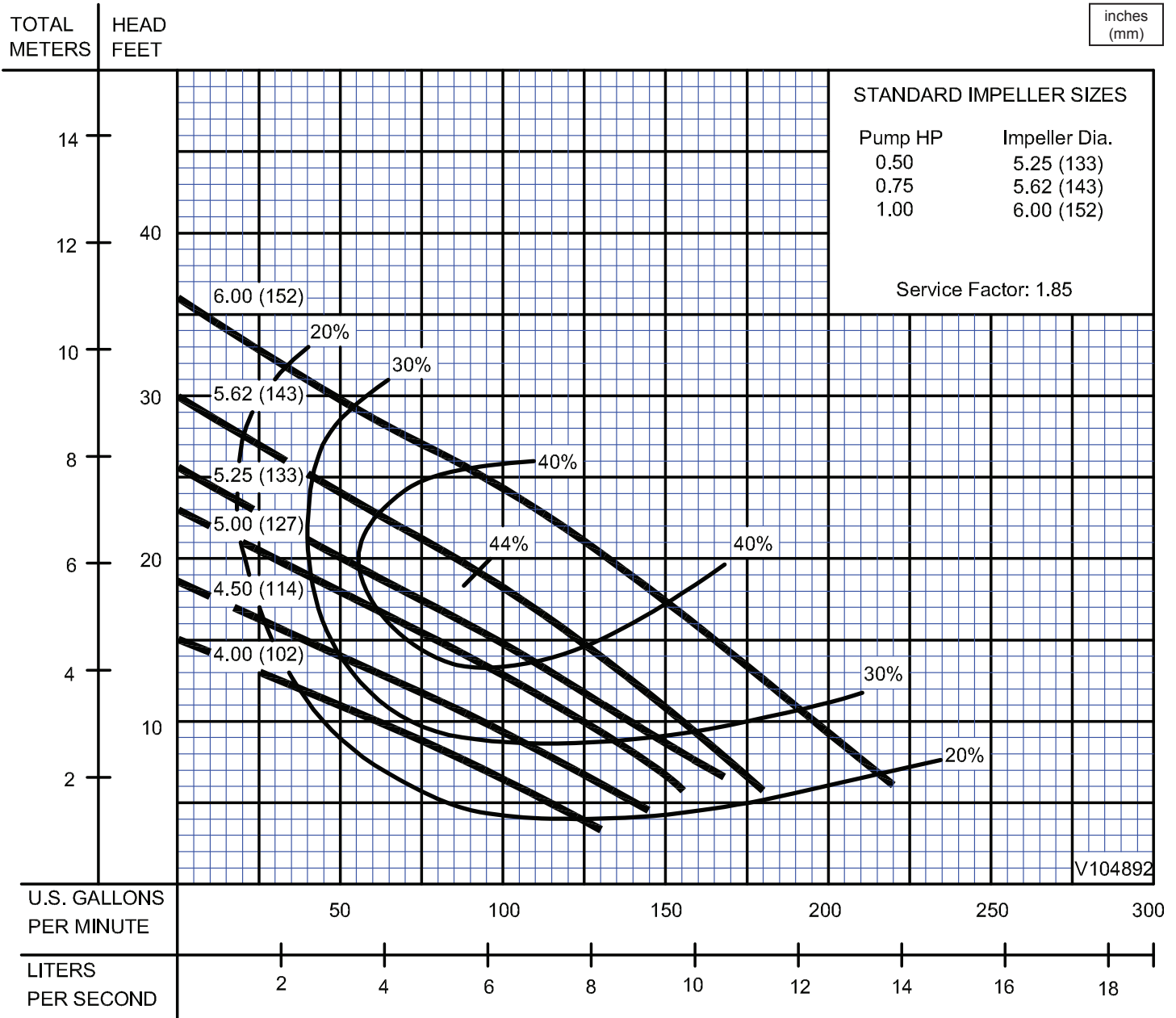
- 1.) PUMP MAY BE OPERATED "DRY" FOR EXTENDED PERIODS WITHOUT DAMAGE TO MOTOR AND/OR SEALS.
- 2.) INSTALLATIONS SUCH AS DECORATIVE FOUNTAINS OR WATER FEATURES PROVIDED FOR VISUAL ENJOYMENT MUST BE INSTALLED IN ACCORDANCE WITH THE NATIONAL ELECTRIC CODE ANSI/NFPA 70 AND/OR THE AUTHORITY HAVING JURISDICTION. THIS PUMP IS NOT INTENDED FOR USE IN SWIMMING POOLS, RECREATIONAL WATER PARKS, OR INSTALLATIONS IN WHICH HUMAN CONTACT WITH PUMPED MEDIA IS A COMMON OCCURRENCE.

SECTION 1B  
PAGE 38  
DATE 7/18

**CRANE**  
A Crane Co. Company

**PUMPS & SYSTEMS**

USA: (937) 778-8947 • Canada: (905) 457-6223 • International: (937) 615-3598



Testing is performed with water, specific gravity 1.0 @ 68° F @ (20°C), other fluids may vary performance