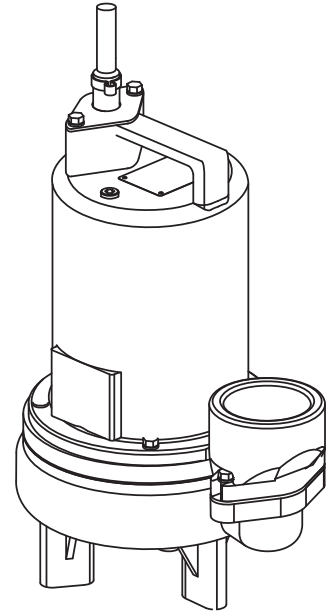


| | |
|---------------------------------|--|
| DISCHARGE | 3" NPT, Female, Vertical, Bolt-on Flange |
| LIQUID TEMPERATURE | 104°F (40°C) Continuous |
| VOLUTE | Cast Iron ASTM A-48, Class 30 |
| MOTOR HOUSING | Cast Iron ASTM A-48, Class 30 |
| SEAL PLATE | Cast Iron ASTM A-48, Class 30 |
| IMPELLER: Design | Vortex, open, with pump out vanes on back side. Dynamically balanced, ISO G6.3 |
| <i>Material</i> | Cast Iron ASTM A-48, Class 30 |
| SHAFT | 416 Stainless Steel |
| SQUARE RINGS | Buna-N |
| HARDWARE | 300 Series Stainless Steel |
| PAINT | Air Dry Enamel |
| SEAL: Design | Tandem Mechanical, Oil filled reservoir |
| <i>Material</i> | Carbon/Ceramic/Buna-N |
| | Hardware -300 Series Stainless |
| CORD ENTRY | 30 ft. (9.1m) Cord with plug on 120 volt & .5HP, 240 volt, 1 phase. Quick connect custom molded for sealing and strain relief |
| SPEED | 1750 & 3450 RPM (Nominal) |
| UPPER BEARING | Single Row, Ball, Oil lubricated |
| <i>Load</i> | Radial |
| LOWER BEARING | Single Row, Ball, Oil lubricated |
| <i>Load</i> | Radial & Thrust |
| MOTOR: Design | NEMA L -Single Phase, NEMA B -Three phase Torque Curve, Oil Filled, Squirrel Cage Induction |
| <i>Insulation</i> | Class B |
| | Class F on selected models |
| SINGLE PHASE | Permanent Split Capacitor (PSC) |
| | Includes Overload Protection in Motor |
| THREE PHASE | 200-240/480 is Tri-Voltage. 600V. |
| | Requires Overload Protection to be included in control panel |
| OPTIONAL EQUIPMENT | Seal Material, Impeller Trims, Additional cord, Normally Closed Temperature Sensors with cord for 3 phase pumps (Requires relay in control panel), Normally Open Moisture sensor with cord for DS pumps (Requires relay in control panel). |
| RECOMMENDED: | |
| <i>Accessories</i> | Break Away Fitting (BAF) |
| | Check Valve |
| | Control Panel |
| <i>Seal Kit PN</i> | 130176 |
| <i>Service Kit PN</i> | 130172 |



Series: 3SEV-DS

0.5, 0.75 & 1.0HP, 1750 & 3450RPM, 60Hz

Sample Specifications: Section 1 Page 9.

DESCRIPTION:

SUBMERSIBLE NON-CLOG SEWAGE PUMP
DESIGNED FOR TYPICAL RAW SEWAGE
APPLICATIONS



WARNING:

CANCER AND REPRODUCTIVE HARM -
WWW.P65WARNINGS.CA.GOV



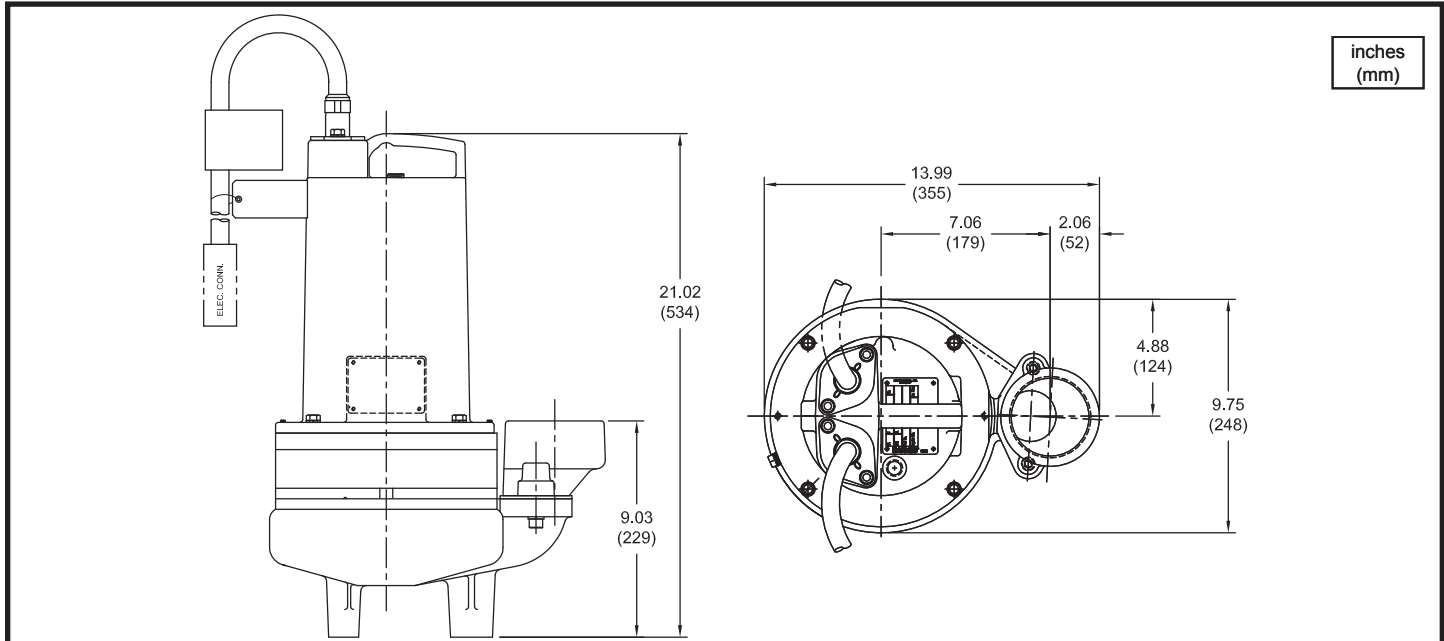
Series 3SEV-DS

2" Spherical Solids Handling
Vortex, Double Seal

BARNES®

www.cranepumps.com

3" Discharge



| MODEL NO | PART NO | HP | VOLT/PH | Hz | RPM (Nom) | NEMA START CODE | INSUL. CLASS | FULL LOAD AMPS | LOCKED ROTOR AMPS | CORD SIZE | CORD TYPE | CORD O.D inch (mm) |
|------------|---------|------|-----------|----|-----------|-----------------|--------------|----------------|-------------------|-----------|-----------|--------------------|
| 3SEV514DS | 104949 | 0.5 | 120/1 | 60 | 1750 | F | B | 12.0 | 21.3 | 14/3 | SJTOW | 0.375 (9.5) |
| 3SEV524DS | 104950 | 0.5 | 240/1 | 60 | 1750 | J | B | 6.3 | 14.9 | 14/3 | SOW | 0.530 (13.5) |
| 3SEV594DS | 104951 | 0.5 | 200-240/3 | 60 | 1750 | H/L | B | 3.7/3.8 | 9.8/11.0 | 14/4 | SOW | 0.570 (14.5) |
| 3SEV544DS | 104952 | 0.5 | 480/3 | 60 | 1750 | K | B | 1.9 | 5.3 | 14/4 | SOW | 0.570 (14.5) |
| 3SEV554DS | 104953 | 0.5 | 600/3 | 60 | 1750 | H | B | 1.4 | 3.4 | 14/4 | SOW | 0.570 (14.5) |
| 3SEV724DS | 104958 | 0.75 | 240/1 | 60 | 1750 | G/K | F | 7.1 | 25.8 | 14/3 | SOW | 0.530 (13.5) |
| 3SEV794DS | 104959 | 0.75 | 200-240/3 | 60 | 1750 | H/K | F | 4.8/4.6 | 13.7/15.4 | 14/4 | SOW | 0.570 (14.5) |
| 3SEV744DS | 104960 | 0.75 | 480/3 | 60 | 1750 | K | F | 2.3 | 7.7 | 14/4 | SOW | 0.570 (14.5) |
| 3SEV754DS | 104961 | 0.75 | 600/3 | 60 | 1750 | L | F | 1.6 | 7.2 | 14/4 | SOW | 0.570 (14.5) |
| 3SEV1024DS | 104966 | 1.0 | 240/1 | 60 | 1750 | D/G | B | 8.5 | 25.8 | 14/3 | SOW | 0.530 (13.5) |
| 3SEV1094DS | 104967 | 1.0 | 200-240/3 | 60 | 1750 | E/H | B | 5.3/5.1 | 13.7/15.4 | 14/4 | SOW | 0.570 (14.5) |
| 3SEV1044DS | 104968 | 1.0 | 480/3 | 60 | 1750 | H | B | 2.5 | 7.7 | 14/4 | SOW | 0.570 (14.5) |
| 3SEV1054DS | 104969 | 1.0 | 600/3 | 60 | 1750 | J | F | 2.2 | 7.2 | 14/4 | SOW | 0.570 (14.5) |
| 3SEV512DS* | 104998 | 0.5 | 120/1 | 60 | 3450 | G | B | 12.6 | 24.6 | 14/3 | SJTOW | 0.375 (9.5) |
| 3SEV522DS | 104999 | 0.5 | 240/1 | 60 | 3450 | E | B | 6.0 | 10.2 | 14/3 | SOW | 0.530 (13.5) |
| 3SEV592DS | 105000 | 0.5 | 200-240/3 | 60 | 3450 | P/R | B | 5.8/5.3 | 19.9/18.4 | 14/4 | SOW | 0.570 (14.5) |
| 3SEV542DS | 105002 | 0.5 | 480/3 | 60 | 3450 | R | B | 2.6 | 9.1 | 14/4 | SOW | 0.570 (14.5) |
| 3SEV552DS | 105003 | 0.5 | 600/3 | 60 | 3450 | T | B | 2.1 | 8.7 | 14/4 | SOW | 0.570 (14.5) |
| 3SEV1022DS | 105009 | 1.0 | 240/1 | 60 | 3450 | F | B | 10.7 | 21.8 | 14/3 | SOW | 0.530 (13.5) |
| 3SEV1092DS | 105010 | 1.0 | 200-240/3 | 60 | 3450 | H/J | B | 7.9/7.5 | 19.9/18.4 | 14/4 | SOW | 0.570 (14.5) |
| 3SEV1042DS | 105012 | 1.0 | 480/3 | 60 | 3450 | J | B | 3.7 | 9.1 | 14/4 | SOW | 0.570 (14.5) |
| 3SEV1052DS | 105013 | 1.0 | 600/3 | 60 | 3450 | L | B | 2.9 | 8.7 | 14/4 | SOW | 0.570 (14.5) |

OPTIONAL - Temperature sensor cord for 3 phase models is 14/3 SOW, 0.530 (13.5mm) O.D.

OPTIONAL - Moisture sensor cord is 18/5 SOW, 0.470 (11.9mm) O.D.

OPTIONAL - Moisture & Temperature sensor cord for 3 phase models is 18/5 SOW, 0.470 (11.9mm) O.D.

(*) Pump is CSA listed **ONLY**.

IMPORTANT !

- 1.) PUMP MAY BE OPERATED "DRY" FOR EXTENDED PERIODS WITHOUT DAMAGE TO MOTOR AND/OR SEALS.
- 2.) INSTALLATIONS SUCH AS DECORATIVE FOUNTAINS OR WATER FEATURES PROVIDED FOR VISUAL ENJOYMENT MUST BE INSTALLED IN ACCORDANCE WITH THE NATIONAL ELECTRIC CODE ANSI/NFPA 70 AND/OR THE AUTHORITY HAVING JURISDICTION. THIS PUMP IS NOT INTENDED FOR USE IN SWIMMING POOLS, RECREATIONAL WATER PARKS, OR INSTALLATIONS IN WHICH HUMAN CONTACT WITH PUMPED MEDIA IS A COMMON OCCURRENCE.

SECTION 1B
PAGE 48
DATE 8/16

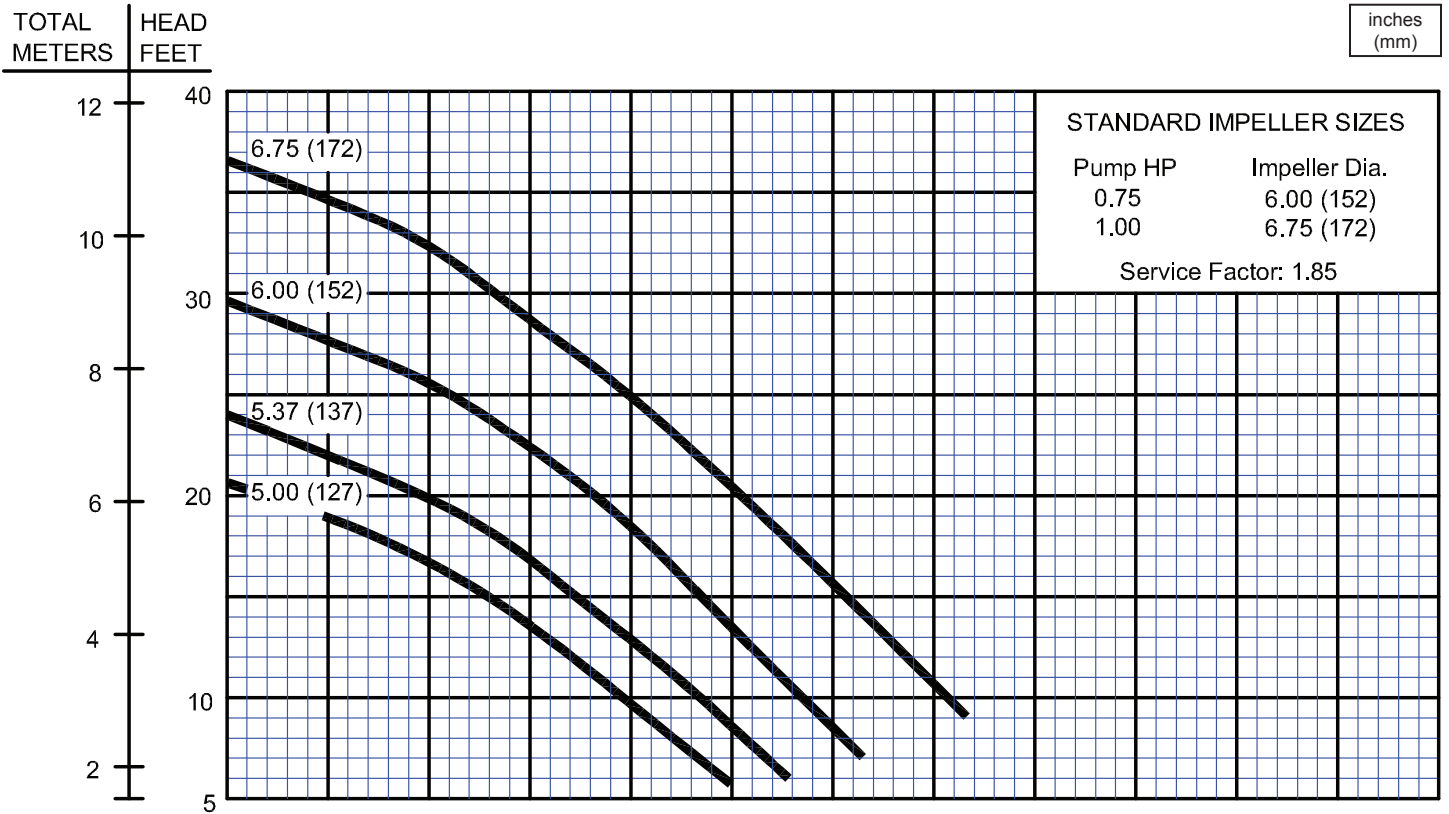
CRANE®

A Crane Co. Company

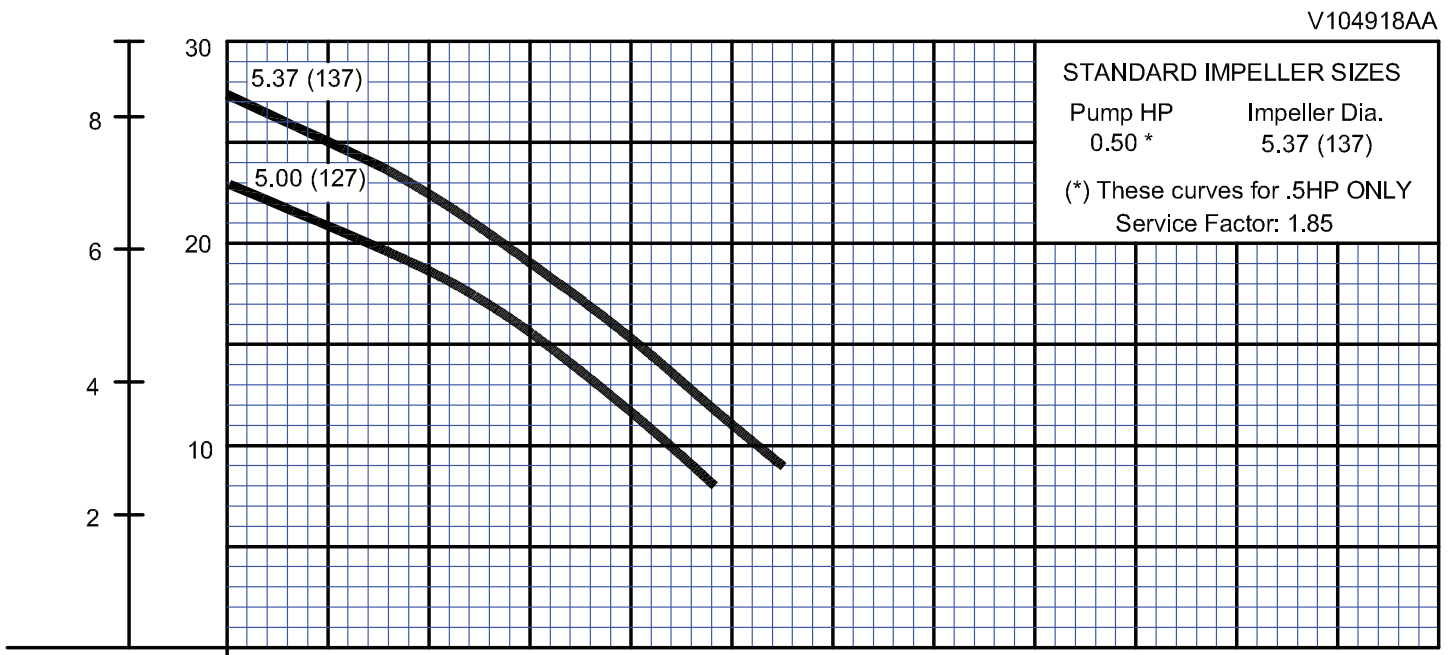
PUMPS & SYSTEMS

USA: (937) 778-8947 • Canada: (905) 457-6223 • International: (937) 615-3598

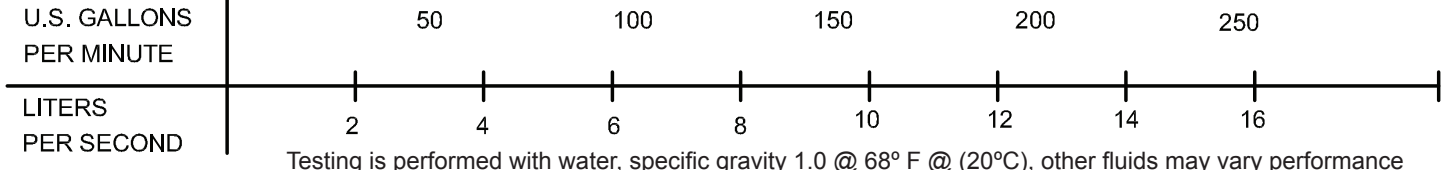
3" Discharge



| STANDARD IMPELLER SIZES | |
|-------------------------|---------------|
| Pump HP | Impeller Dia. |
| 0.75 | 6.00 (152) |
| 1.00 | 6.75 (172) |
| Service Factor: 1.85 | |



| STANDARD IMPELLER SIZES | |
|--------------------------------|---------------|
| Pump HP | Impeller Dia. |
| 0.50 * | 5.37 (137) |
| (*) These curves for .5HP ONLY | |
| Service Factor: 1.85 | |



Testing is performed with water, specific gravity 1.0 @ 68° F @ (20°C), other fluids may vary performance

Series 3SEV-DS

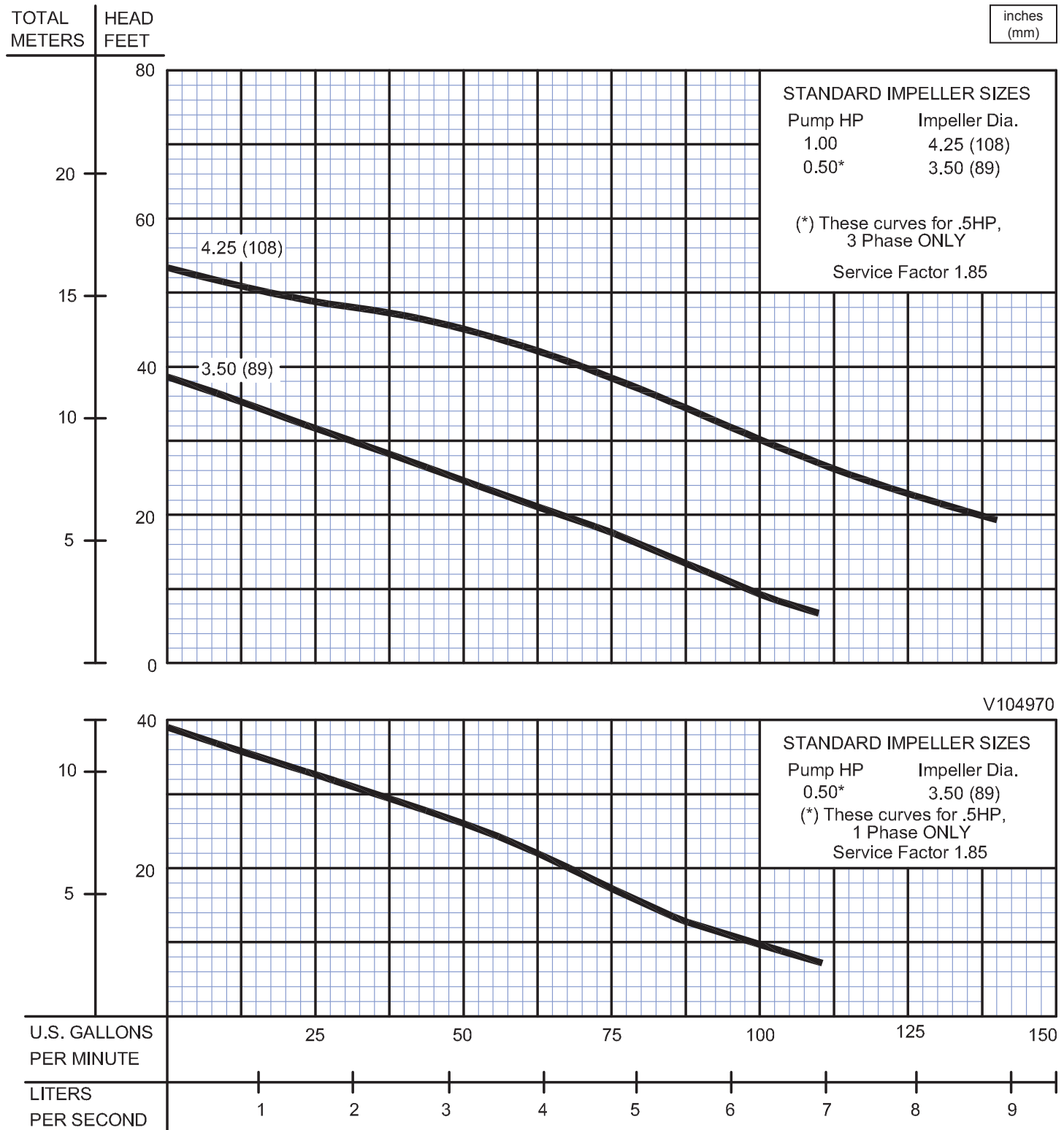
Performance Curve

0.5, 0.75 & 1.0HP, 3450RPM, 60Hz

BARNES®

www.cranepumps.com

3" Discharge



Testing is performed with water, specific gravity 1.0 @ 68° F @ (20°C), other fluids may vary performance

SECTION 1B
PAGE 50
DATE 6/04

CRANE
A Crane Co. Company

PUMPS & SYSTEMS

USA: (937) 778-8947 • Canada: (905) 457-6223 • International: (937) 615-3598