

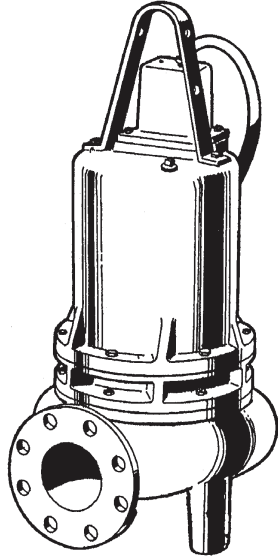
# Series 4SE-L

3" Spherical Solids Handling

# BARNES®

www.cranepumps.com

## 4" Horizontal Discharge - Submersible Non-Clog Pumps



<b>DISCHARGE</b> .....	4" 125lb., Flange Horizontal
<b>LIQUID TEMPERATURE</b> .....	104°F (40°C) Continuous
<b>VOLUTE</b> .....	Cast Iron ASTM A-48, Class 30
<b>MOTOR HOUSING</b> .....	Cast Iron ASTM A-48, Class 30
<b>SEAL PLATE</b> .....	Cast Iron ASTM A-48, Class 30
<b>IMPELLER:</b>	
<i>Design</i> .....	2 Vane, Open with pump out vanes on back side, Dynamically Balanced, ISO G6.3
<i>Material</i> .....	Cast Iron ASTM A-48, Class 30
<b>SHAFT</b> .....	416 Stainless Steel
<b>SQUARE RINGS</b> .....	Buna-N
<b>DIAPHRAGM</b> .....	Buna-N
<b>HARDWARE</b> .....	300 Series Stainless Steel
<b>LIFTING BAIL</b> .....	304 Stainless Steel
<b>PAINT</b> .....	Air Dry Enamel (Epoxy Optional)
<b>SEAL:</b>	
<i>Design</i> .....	Double Mechanical, Oil filled pressure equalized reservoir
<i>Material</i> .....	Carbon/Ceramic/Buna-N
	Hardware - 300 Series Stainless
<b>CORD ENTRY</b> .....	40 ft. (12.1 m) Cord. Epoxy Sealed Housing with secondary pressure grommet for sealing and strain relief
<b>SPEED</b> .....	1750 RPM (Nominal)
<b>BEARINGS:</b>	
<i>Upper</i> .....	Single Row, Ball, Oil Lubricated
<i>Load</i> ....	Radial
<i>Lower</i> .....	Single Row, Ball, Oil Lubricated
<i>Load</i> ....	Radial
<i>Life</i> .....	50,000 HR L10 Design
<b>MOTOR:</b>	
<i>Design</i> .....	NEMA L- Single Phase, NEMA B - Three Phase Torque Curve, Oil Filled, Squirrel Cage Induction
<i>Winding</i> .....	Class F, Class H rated Magnet Wire
<i>Service Factor</i> .....	1.15
<b>SINGLE PHASE</b> .....	Capacitor Start/Capacitor Run. Requires Barnes Starter/Panel which includes capacitors and overload protection
<b>THREE PHASE</b> .....	Dual Voltage motor 230/460/575. Requires Overload Protection to be included in Control Panel, VFD Suitable
<b>MOISTURE SENSOR</b> .....	Normally Open (N/O), Requires relay in control panel
<b>TEMPERATURE SENSOR</b> ..	Normally Closed (N/C), Requires relay in control panel.
<b>OPTIONAL EQUIPMENT</b> .....	Seal Material, Impeller Trims, Additional Cord, Epoxy Paint

### RECOMMENDED:

- Accessories*..... Break Away Fitting (BAF)  
Check Valve  
Control Panel
- Seal Kit PN* ..... 130179
- Service Kit PN*. 130175

**Series: 4SE-L 4.5 - 15HP,  
1750RPM, 60Hz**

Sample Specifications: Section 1 Page 16.

### DESCRIPTION:

SUBMERSIBLE NON-CLOG SEWAGE PUMP  
DESIGNED FOR TYPICAL RAW SEWAGE  
APPLICATIONS



**WARNING:**  
CANCER AND REPRODUCTIVE HARM -  
WWW.P65WARNINGS.CA.GOV



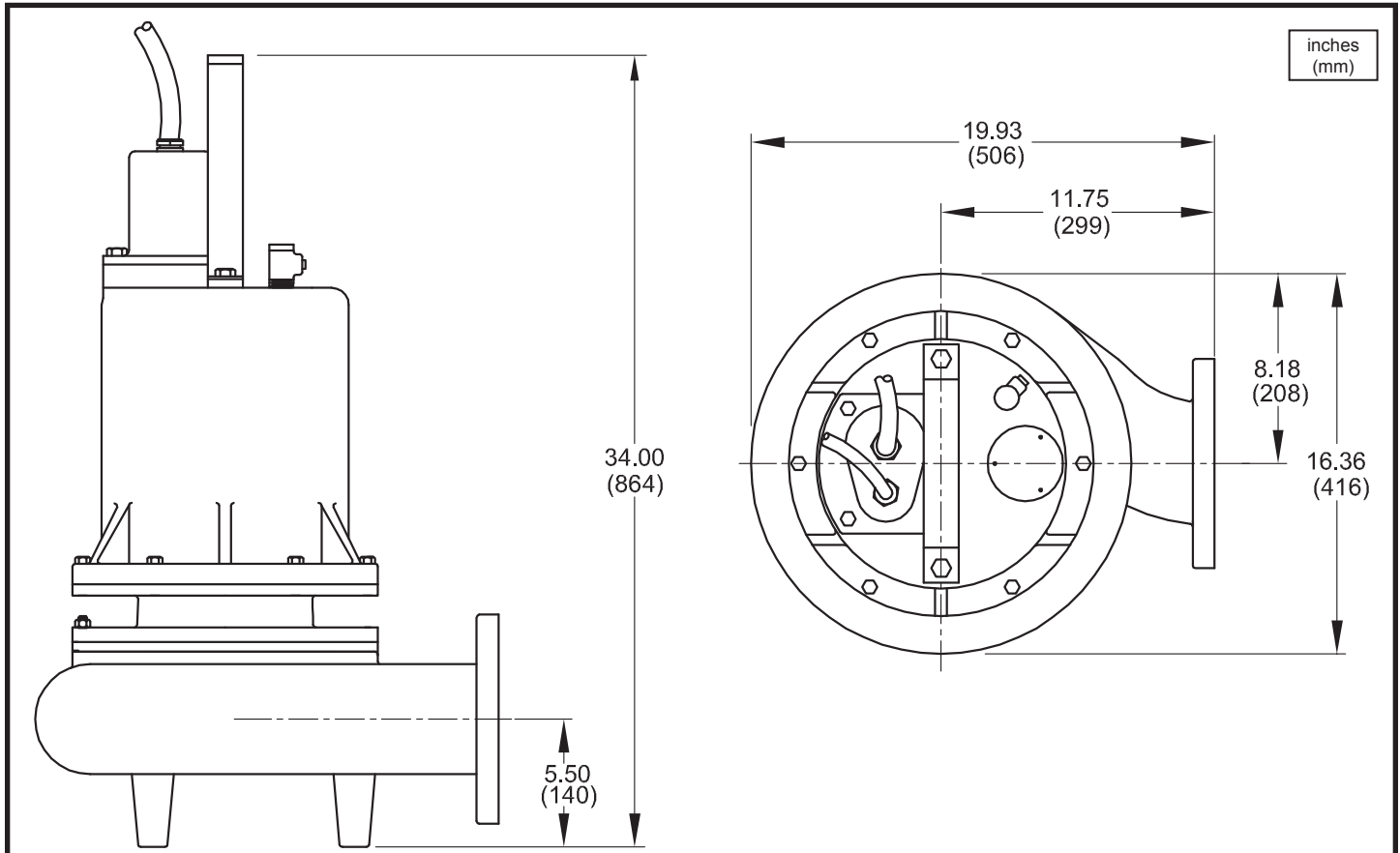
SECTION 1D  
PAGE 22  
DATE 12/18

**CRANE**  
A Crane Co. Company

**PUMPS & SYSTEMS**

USA: (937) 778-8947 • Canada: (905) 457-6223 • International: (937) 615-3598

### 4" Horizontal Discharge - Submersible Non-Clog Pumps



MODEL NO	PART NO	HP	VOLT/PH	Hz	RPM (Nom)	NEMA START CODE	FULL LOAD AMPS	LOCKED ROTOR AMPS	CORD SIZE	CORD TYPE	CORD O.D inch (mm)
4SE4524L	084623	4.5	230/1	60	1750	A	26.0	59.0	10/4	SOW	0.750 (19.1)
4SE4564L	084624	4.5	200/3	60	1750	C	20.9	48.6	10/4	SOW	0.750 (19.1)
4SE4534L	084625	4.5	230/3	60	1750	E	18.2	56.0	10/4	SOW	0.750 (19.1)
4SE4544L	084626	4.5	460/3	60	1750	E	9.1	28.0	10/4	SOW	0.750 (19.1)
4SE4554L	089306	4.5	575/3	60	1750	E	7.2	22.4	10/4	SOW	0.750 (19.1)
4SE7524L	084627	7.5	230/1	60	1750	A	39.0	96.0	6/4	SOW	1.06 (27)
4SE7564L	084628	7.5	200/3	60	1750	B	30.8	69.5	8/4	SOW	0.830 (21)
4SE7534L	084629	7.5	230/3	60	1750	D	26.8	80.0	8/4	SOW	0.830 (21)
4SE7544L	084630	7.5	460/3	60	1750	D	13.4	40.0	8/4	SOW	0.830 (21)
4SE7554L	089307	7.5	575/3	60	1750	D	10.7	32.0	10/4	SOW	0.750 (19.1)
4SE11364L	084631	11.3	200/3	60	1750	B	32.2	109.5	8/4	SOW	0.830 (21)
4SE11334L	084632	11.3	230/3	60	1750	D	28.0	126.0	8/4	SOW	0.830 (21)
4SE11344L	084633	11.3	460/3	60	1750	D	14.0	63.0	8/4	SOW	0.830 (21)
4SE11354L	089308	11.3	575/3	60	1750	D	11.2	50.4	10/4	SOW	0.750 (19.1)
4SE15034L	084634	15.0	230/3	60	1750	D	38.0	160.0	6/4	SOW	1.06 (27)
4SE15044L	084635	15.0	460/3	60	1750	D	19.0	80.0	6/4	SOW	1.06 (27)
4SE15054L	089309	15.0	575/3	60	1750	D	15.2	64.0	8/4	SOW	0.830 (21)

Moisture/Temperature sensor cord for all phase models is 18/5 SOW, 0.476 (12.1mm) O.D.

**IMPORTANT !**

- PUMP MAY BE OPERATED "DRY" FOR EXTENDED PERIODS WITHOUT DAMAGE TO MOTOR AND/OR SEALS.
- INSTALLATIONS SUCH AS DECORATIVE FOUNTAINS OR WATER FEATURES PROVIDED FOR VISUAL ENJOYMENT MUST BE INSTALLED IN ACCORDANCE WITH THE NATIONAL ELECTRIC CODE ANSI/NFPA 70 AND/OR THE AUTHORITY HAVING JURISDICTION. THIS PUMP IS NOT INTENDED FOR USE IN SWIMMING POOLS, RECREATIONAL WATER PARKS, OR INSTALLATIONS IN WHICH HUMAN CONTACT WITH PUMPED MEDIA IS A COMMON OCCURRENCE.

# Series 4SE -L

Performance Curve

4.5, 7.5, 11.3 & 15HP, 1750RPM, 60Hz

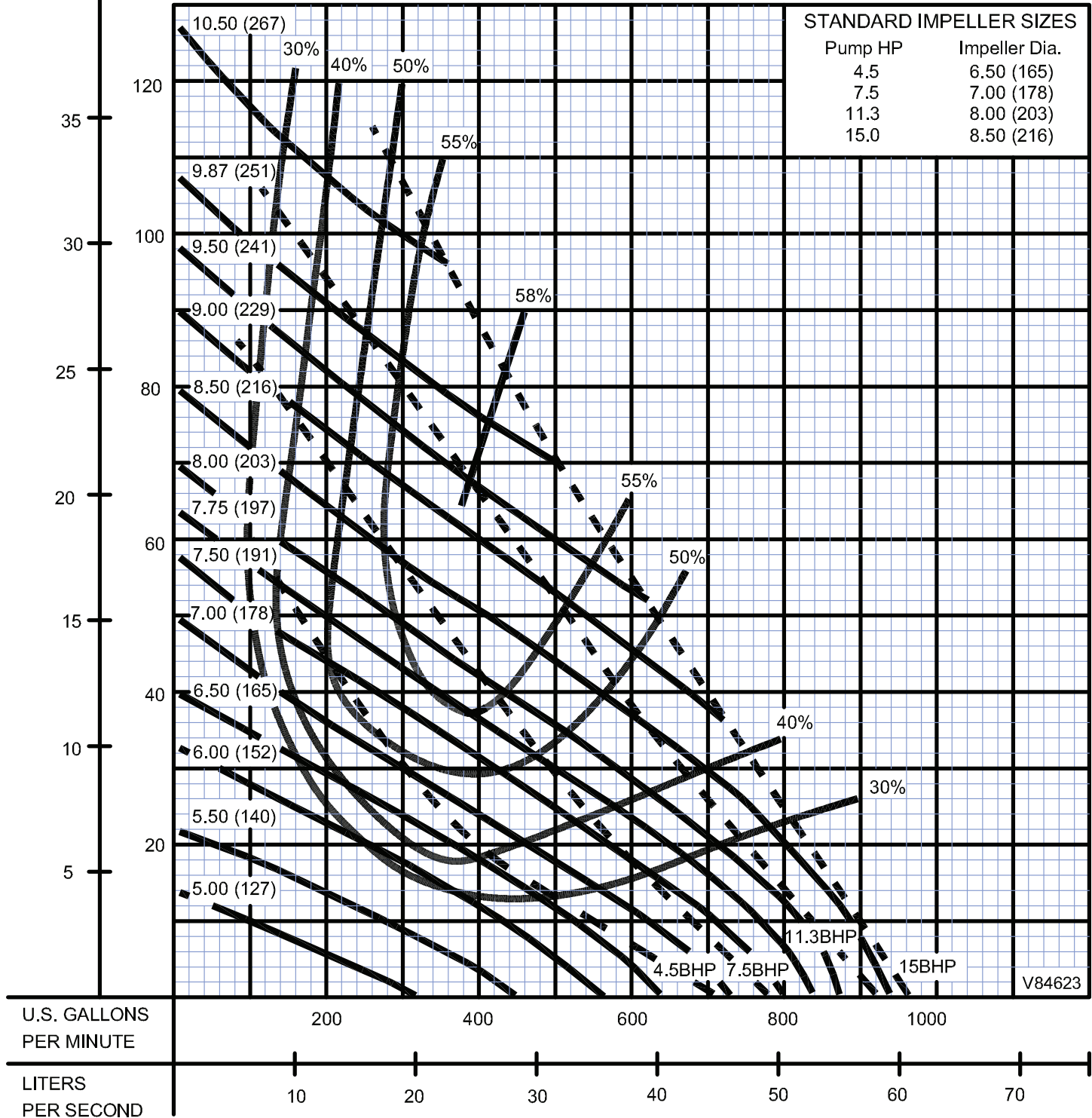
# BARNES®

www.cranepumps.com

## 4" Horizontal Discharge - Submersible Non-Clog Pumps

TOTAL METERS | HEAD FEET

inches (mm)



Testing is performed with water, specific gravity 1.0 @ 68° F @ (20°C), other fluids may vary performance

SECTION 1D  
PAGE 24  
DATE 1/05

**CRANE**  
A Crane Co. Company

PUMPS & SYSTEMS

USA: (937) 778-8947 • Canada: (905) 457-6223 • International: (937) 615-3598