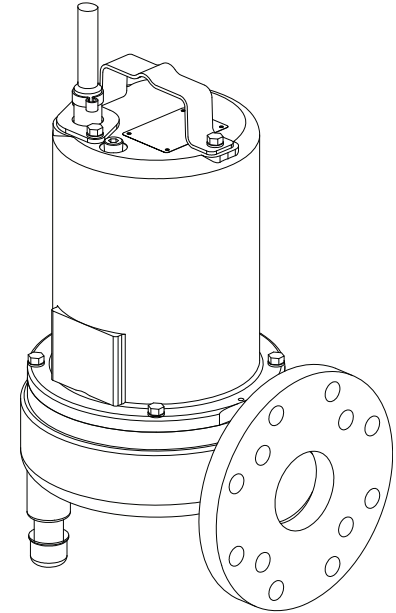


4" Horizontal Discharge - Submersible Non-Clog Pumps

DISCHARGE 3" & 4" 125lb., Flange Horizontal
LIQUID TEMPERATURE 104°F (40°C) Continuous
VOLUTE Cast Iron ASTM A-48, Class 30
MOTOR HOUSING Cast Iron ASTM A-48, Class 30
SEAL PLATE Cast Iron ASTM A-48, Class 30
IMPELLER:
 Design 2 Vane, Open with pump out vanes on back side, Dynamically Balanced, ISO G6.3
 Material Cast Iron ASTM A-48, Class 30
SHAFT 416 Stainless Steel
SQUARE RINGS Buna-N
HARDWARE 300 Series Stainless Steel
PAINT Air Dry Enamel
SEAL: *Design* Single Mechanical
 Material Carbon/Ceramic/Buna-N
 Hardware - 300 Series Stainless
CORD ENTRY 30 ft. (9.1m) Quick Disconnect Cord with plug
 On 120Volt, Custom Molded for sealing
 and strain relief
SPEED 1750 RPM (Nominal)
UPPER BEARING Single Row, Ball, Oil Lubricated
 Load Radial
LOWER BEARING Single Row, Ball, Oil Lubricated
 Load Radial & Thrust
MOTOR: *Design* NEMA L- Single Phase, NEMA B - Three Phase
 Torque Curve, Oil Filled, Squirrel Cage
 Induction
 Insulation Class B
 Class F on selected models
SINGLE PHASE Permanent Split Capacitor (PSC)
 Includes Overload Protection in Motor
THREE PHASE 200-240/480 is Tri Voltage motor. 600V
 Requires Overload Protection to be included
 in Control Panel
OPTIONAL EQUIPMENT Seal Material, Impeller Trims, Additional Cord,
 Normally Closed (N/C) Temperature Sensor
 with cord for 3 phase pumps (Requires relay in
 control panel).

RECOMMENDED:
 Accessories Break Away Fitting (BAF)
 Check Valve
 Control Panel
 Seal Kit PN 130180
 Service Kit PN 130207



Series: SE .9, 1.4 & 1.9HP 1750RPM, 60Hz

Sample Specifications: Section 1 Page 12.

DESCRIPTION:

SUBMERSIBLE NON-CLOG SEWAGE PUMP
DESIGNED FOR TYPICAL RAW SEWAGE
APPLICATIONS



WARNING:

CANCER AND REPRODUCTIVE HARM -
WWW.P65WARNINGS.CA.GOV



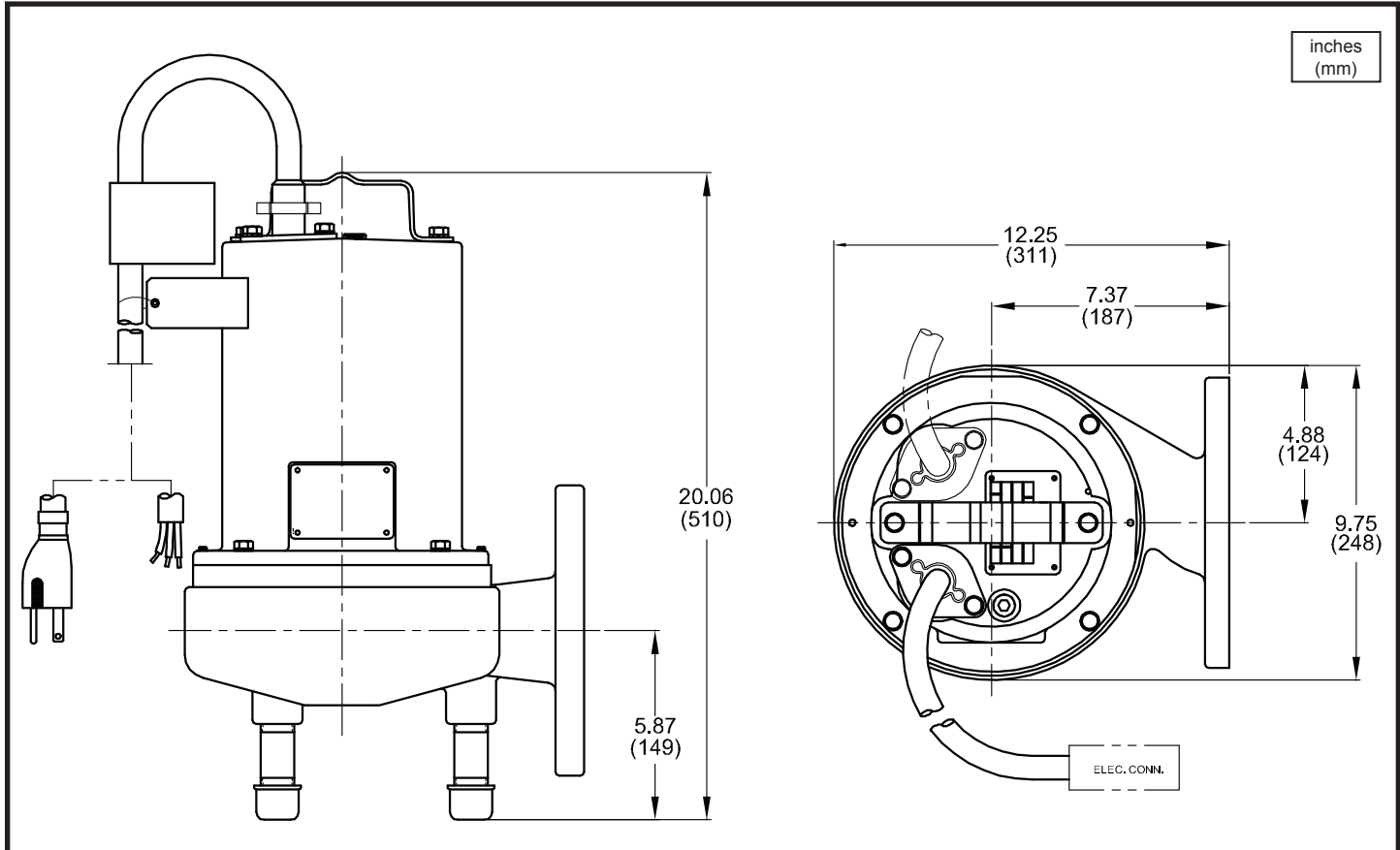
Series 4SE-L

2" Spherical Solids Handling

BARNES®

www.cranepumps.com

4" Horizontal Discharge - Submersible Non-Clog Pumps



MODEL NO	PART NO	HP	VOLT/PH	Hz	RPM (Nom)	NEMA START CODE	INSUL. CLASS	FULL LOAD AMPS	LOCKED ROTOR AMPS	CORD SIZE	CORD TYPE	CORD O.D inch (mm)
4SE914L	105014	0.9	120/1	60	1750	A	B	11.6	21.3	14/3	SJTOW	0.373 (9.5)
4SE924L	105015	0.9	240/1	60	1750	C	B	5.9	14.9	14/3	SOW	0.530 (13.5)
4SE994L	105016	0.9	200-240/3	60	1750	C/F	B	3.2/3.0	9.8/11.0	14/4	SOW	0.570 (14.5)
4SE944L	105017	0.9	480/3	60	1750	E	B	1.5	5.3	14/4	SOW	0.570 (14.5)
4SE954L	105018	0.9	600/3	60	1750	C	B	1.0	3.4	14/4	SOW	0.570 (14.5)
4SE1474L	105024	1.4	200-240/1	60	1750	A/D	F	7.4/7.0	21.5/25.8	14/3	SOW	0.530 (13.5)
4SE1494L	105025	1.4	200-240/3	60	1750	B/E	B	4.8/4.5	13.7/15.4	14/4	SOW	0.570 (14.5)
4SE1444L	105026	1.4	480/3	60	1750	E	B	2.2	7.7	14/4	SOW	0.570 (14.5)
4SE1454L	105027	1.4	600/3	60	1750	F	B	1.5	7.2	14/4	SOW	0.570 (14.5)
4SE1974L	105032	1.9	200-240/1	60	1750	A/B	F	8.8/8.3	21.5/25.8	14/3	SOW	0.530 (13.5)
4SE1994L	105033	1.9	200-240/3	60	1750	A/B	B	5.3/5.1	13.7/15.4	14/4	SOW	0.570 (14.5)
4SE1944L	105034	1.9	480/3	60	1750	B	B	2.5	7.7	14/4	SOW	0.570 (14.5)
4SE1954L	105035	1.9	600/3	60	1750	C	B	1.9	7.2	14/4	SOW	0.570 (14.5)

OPTIONAL - Temperature sensor cord for 3 phase models is 14/3 SOW, 0.530 (13.5mm) O.D.

IMPORTANT !

- 1.) PUMP MAY BE OPERATED "DRY" FOR EXTENDED PERIODS WITHOUT DAMAGE TO MOTOR AND/OR SEALS.
- 2.) INSTALLATIONS SUCH AS DECORATIVE FOUNTAINS OR WATER FEATURES PROVIDED FOR VISUAL ENJOYMENT MUST BE INSTALLED IN ACCORDANCE WITH THE NATIONAL ELECTRIC CODE ANSI/NFPA 70 AND/OR THE AUTHORITY HAVING JURISDICTION. THIS PUMP IS NOT INTENDED FOR USE IN SWIMMING POOLS, RECREATIONAL WATER PARKS, OR INSTALLATIONS IN WHICH HUMAN CONTACT WITH PUMPED MEDIA IS A COMMON OCCURRENCE.

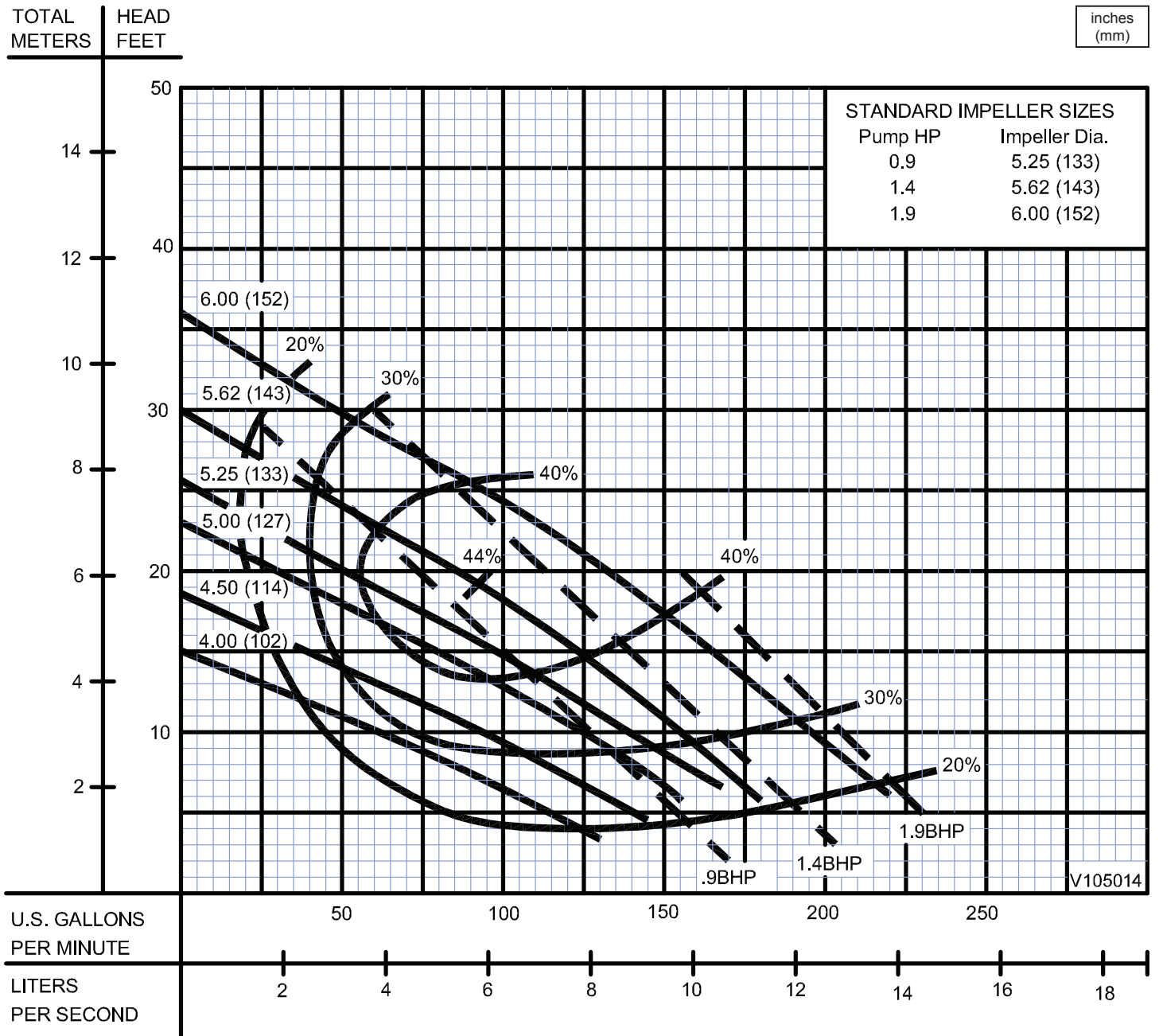
SECTION 1D
PAGE 2
DATE 11/15

CRANE
A Crane Co. Company

PUMPS & SYSTEMS

USA: (937) 778-8947 • Canada: (905) 457-6223 • International: (937) 615-3598

4" Horizontal Discharge - Submersible Non-Clog Pumps



Testing is performed with water, specific gravity 1.0 @ 68° F @ (20°C), other fluids may vary performance