

### Self-Priming Universal/Electric Driven

## Specifications:

**SUCTION/DISCHARGE** .....2" x 2" NPT, Female  
**LIQUID TEMPERATURE** .....160°F (71°C) Continuous  
**INTERMEDIATE** .....Cast Iron ASTM A-48, Class 30  
**VOLUTE** .....Cast Iron ASTM A-48, Class 30,  
Remove  
**BODY** .....Cast Iron ASTM A-48, Class 30  
**PEDESTAL** .....Cast Iron ASTM A-48, Class 30  
**IMPELLER: Design** .....Semi-Open, Dynamically Balanced,  
ISO G6.3  
*Material* .....Cast Iron ASTM A-48, Class 30  
**SHAFT** .....Stainless Steel  
**SQUARE RINGS** .....Buna-N  
**HARDWARE** .....Series Stainless Steel  
**PAINT** .....Air Dry Enamel.  
**SEAL:** *Design* .....Mechanical  
*Lubrication* .....Self-Lubricating  
*Material* .....Rotating Faces - Carbon  
Stationary Faces - Ceramic  
Elastomer - Buna-N  
Hardware -300 Series Stainless

#### BEARING - PUMP END:

*Design*.....Single Row, Ball  
*Lubrication* .....Grease  
*Load*.....Radial

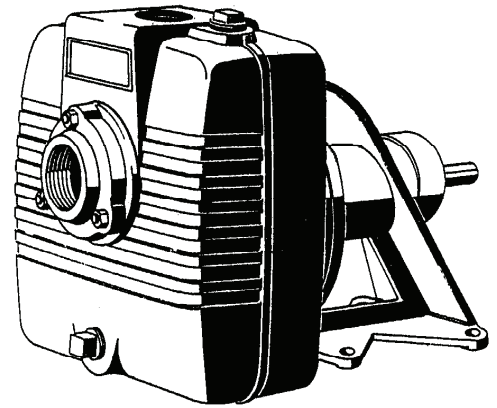
#### BEARING - DRIVE END:

*Design*.....Single Row, Ball  
*Lubrication* .....Grease  
*Load*.....Radial

#### CHECK VALVE:

*Material* .....Valve Flap-Neoprene  
Weight-Cast Iron ASTM A-48, Class 30

**OPTIONAL EQUIPMENT**.....Seal Material, Flex Coupled Assy. with  
Base & OSHA Guard; Right Hand V-Belt Drive Assy., Left Hand V-Belt Drive  
Assy., and In-Line Vertical V-Belt Drive Assy. with Base, Motor Adjusting  
Base and OSHA Guard.



**Series: 7CU-1**  
MAX SPHERE 5/8"

#### DESCRIPTION:

SELF-PRIMING CENTRIFUGAL PUMPS  
DESIGNED FOR MARINE, MUNICIPAL AND  
INDUSTRIAL APPLICATIONS



#### WARNING:

CANCER AND REPRODUCTIVE HARM -  
WWW.P65WARNINGS.CA.GOV

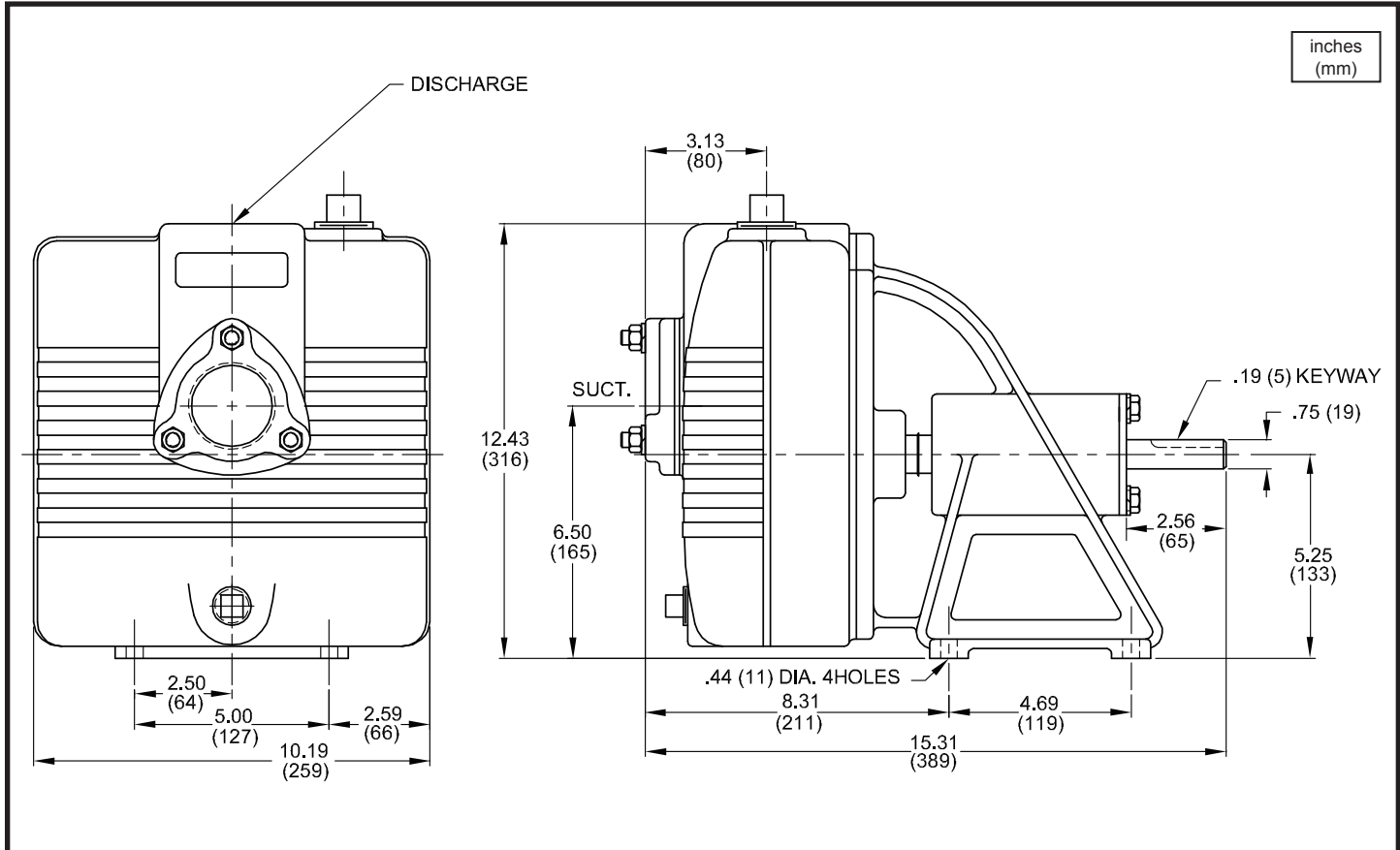
# Series 7CU-1

Pump End  
2" NPT

# BARNES®

www.cranepumps.com

## Self-Priming Universal/Electric Driven



MODEL NO	PART NO	WEIGHT NET LBS (kg)	
7CU-1	018902	82 (37)	

### IMPORTANT !

- DO NOT USE FOR PUMPING FLUIDS WITH A FLASH POINT OF LESS THAN 100°F.
- MAKE CERTAIN THAT PUMP AND/OR MOTOR ASSEMBLY AND CONTROLS HAVE THE APPROPRIATE RATINGS FOR THE GIVEN APPLICATION AREA CLASSIFICATION. (ie DIVISION I, AGENCY LISTING ETC.)

SECTION 4E  
PAGE 20  
DATE 5/05

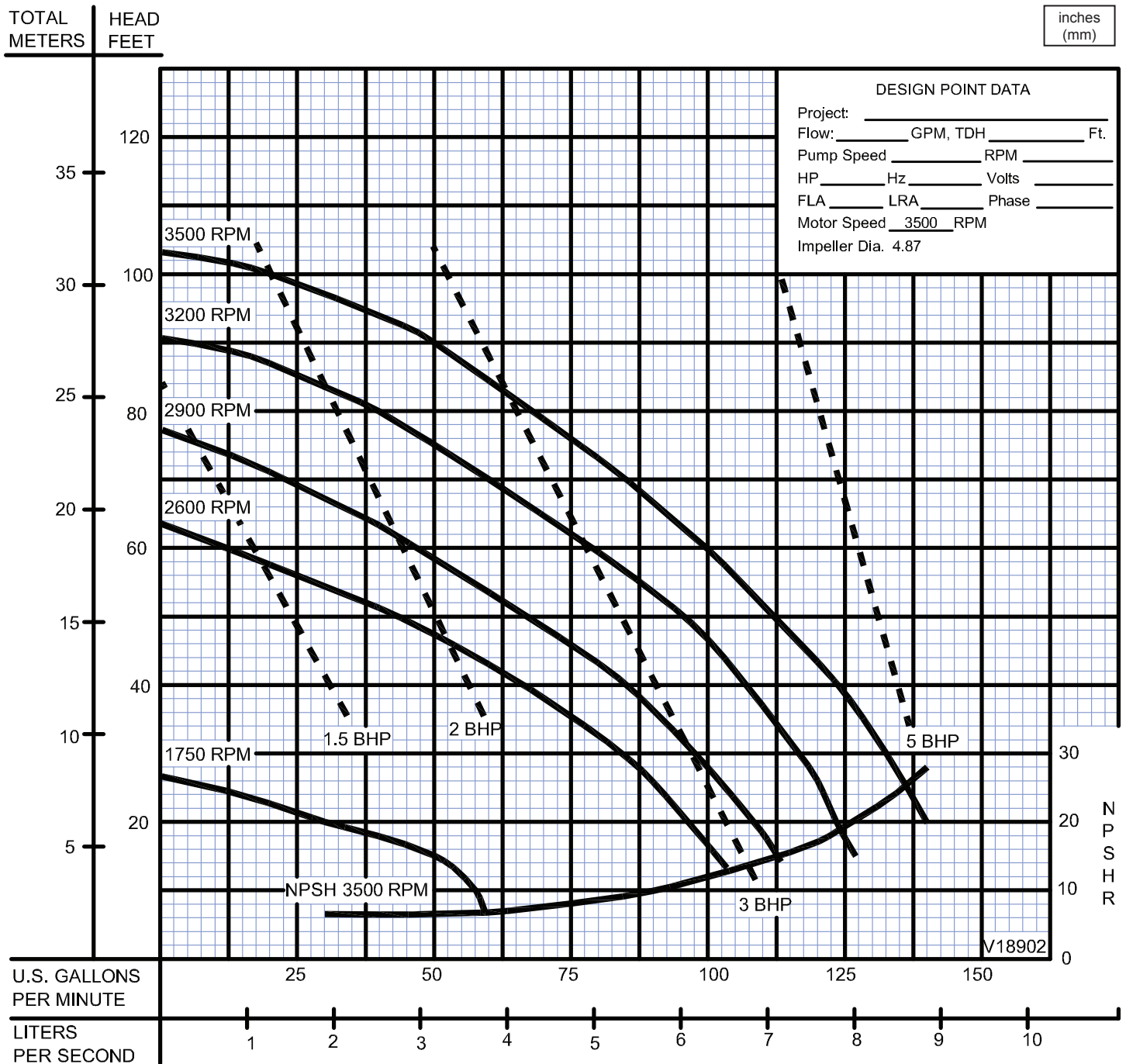
## CRANE®

A Crane Co. Company

## PUMPS & SYSTEMS

USA: (937) 778-8947 • Canada: (905) 457-6223 • International: (937) 615-3598

### Self-Priming Universal/Electric Driven



Testing is performed with water, specific gravity 1.0 @ 68° F @ (20°C), other fluids may vary performance