

Packaged Systems

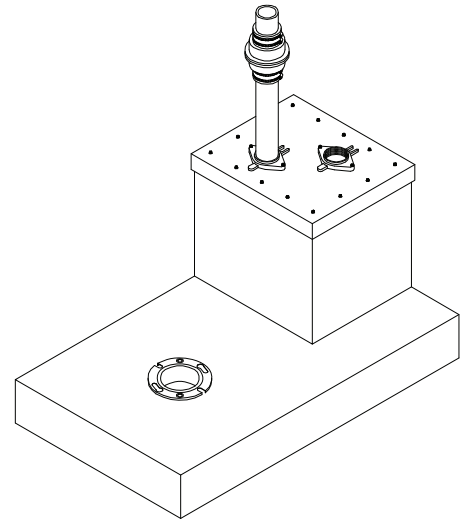
The Basement Genie Basin can be installed almost anywhere. It can accommodate a toilet, vanity, humidifier or shower. It is perfect for basements, family rooms, warehouses, factories and room additions. Fits almost anywhere and can be used with many toilet styles. The Basement Genie Basin can be installed free standing on any level surface (no need to destroy concrete floors) or the tank and all piping can be hidden behind a wall and under the floor.

System includes pump, basin, 2" PVC discharge pipe, 2" NPT vent flange, 2" straight discharge flange, 2" rubber gasket, cast iron closet flange, rubber cord grommet, 3/8" foam lid gasket, 2" check valve and hardware.

STANDARD COLOR..... White
MATERIAL Polyethylene
WEIGHT: BGBSEV412..... 92 lbs.
BGBSE411..... 102 lbs

PART NUMBER	SYSTEM MODEL NUMBER	PUMP MODEL NUMBER	PUMP PART NUMBER	SEE PUMP DATA ON PAGES:
102147	BGBSEV412	SEV412VF	101294	Sect. C Pages 5 - 6
102148	BGBSE411	SE411VF	100836	Sect. C Pages 1 - 2

See Section E for basin only.



**Series: BGBSE411
BGBSEV412**



WARNING:
CANCER AND REPRODUCTIVE HARM -
WWW.P65WARNINGS.CA.GOV

