

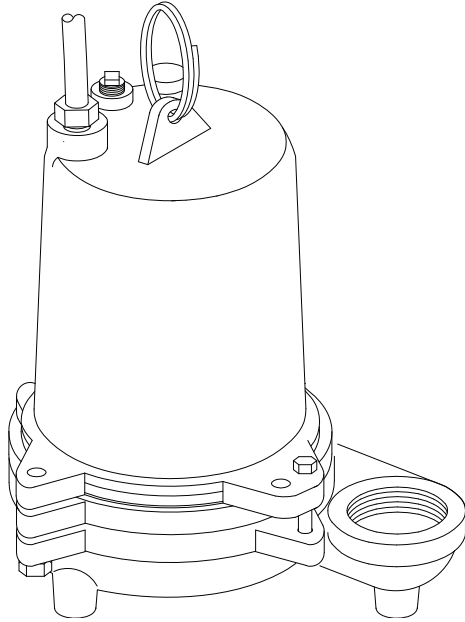
Series BP-HT

High Temperature - 3/4" Spherical Solids Handling
Manual & Automatic - Submersible

BARNES®

www.cranepumps.com

Submersible Effluent Pumps



Specifications:

DISCHARGE2" NPT, Female, Vertical
LIQUID TEMPERATURE200°F (93°C) Continuous
VOLUTE(BP) Cast Iron, (BP-BR) Bronze
MOTOR HOUSING(BP) Cast Iron, (BP-BR) Bronze
SEAL PLATE(BP) Cast Iron, (BP-BR) Bronze
IMPELLER: Design2 Vane open, Dynamically Balanced,
ISO G6.3
MaterialBronze 81-3-7-9
SHAFT416 Stainless Steel
SQUARE RINGS.....Buna-N
HARDWARE300 Series Stainless Steel
PAINTAir Dry Enamel
SEAL: DesignSingle Mechanical, Oil-Filled Reservoir,
Secondary Exclusion Seal
MaterialCarbon/Ceramic/Buna-N
CORD ENTRY15 ft. (5m) Quick Disconnect Cord with
plug On 115 volt, Pressure Grommet for
sealing and strain relief
UPPER BEARING.....Single Row, Ball, Oil Lubricated
LOWER BEARING.....Single Row, Ball, Oil Lubricated
MOTOR, SINGLE PHASEPermanent Split Capacitor (PSC). Oil
Filled. Includes Overload Protection in Motor
Insulation.....Class B
LEVEL CONTROLS**"A"** - High Temperature, Wide Angle,
Mechanical, N/O, 15 ft (5m) cord with
Piggy-Back Plug,
"AU" - High Temperature, Wide Angle,
Polypropylene, Mechanical, N/O Integral to
pump. ON and OFF points are adjustable
OPTIONAL EQUIPMENTSeal Material, Additional Cable

RECOMMENDED:

AccessoriesBreak Away Fitting (BAF)
Check Valve
Control Panel
Seal Kit PN085202
Service Kit PN.....085201

Series: BP314HT & BP324HT
1/3HP, 1750RPM, 60Hz,
Cast Iron & Bronze

DESCRIPTION:

PUMP IS DESIGNED FOR HANDLING SEWAGE
EFFLUENT IN **HIGH TEMPERATURE** SEPTIC
TANK/EFFLUENT APPLICATIONS.



WARNING:
CANCER AND REPRODUCTIVE HARM -
WWW.P65WARNINGS.CA.GOV



SECTION 3A
PAGE 22
DATE 12/18

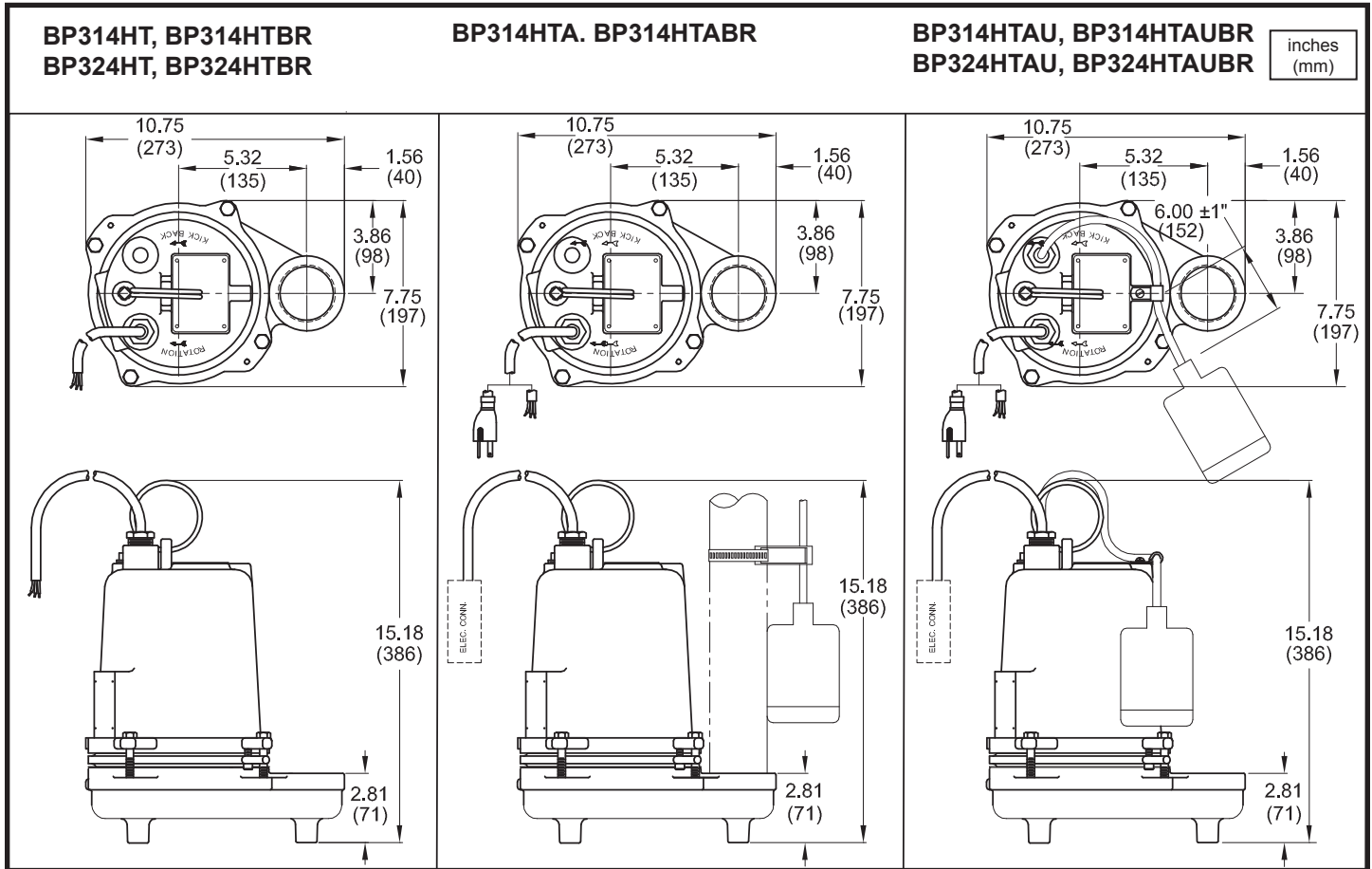
CRANE
A Crane Co. Company

PUMPS & SYSTEMS

A Crane Co. Company

USA: (937) 778-8947 • Canada: (905) 457-6223 • International: (937) 615-3598

Submersible Effluent Pumps



| MODEL NO | PART NO | HP | VOLT/PH | H _z | RPM (Nom) | NEMA START CODE | FULL LOAD AMPS | LOCKED ROTOR AMPS | CORD SIZE | CORD TYPE | CORD O.D inch (mm) |
|-------------|---------|-----|---------|----------------|-----------|-----------------|----------------|-------------------|-----------|-----------|--------------------|
| BP314HT | 096737 | 1/3 | 115/1 | 60 | 1750 | A | 8.0 | 19.0 | 14/3 | SOOW | 0.560 (14.2) |
| BP314HTA | 096738 | 1/3 | 115/1 | 60 | 1750 | A | 8.0 | 19.0 | 14/3 | SOOW | 0.560 (14.2) |
| BP314HTAU | 096739 | 1/3 | 115/1 | 60 | 1750 | A | 8.0 | 19.0 | 14/3 | SOOW | 0.560 (14.2) |
| BP314HTBR | 096742 | 1/3 | 115/1 | 60 | 1750 | A | 8.0 | 19.0 | 14/3 | SOOW | 0.560 (14.2) |
| BP314HTABR | 096743 | 1/3 | 115/1 | 60 | 1750 | A | 8.0 | 19.0 | 14/3 | SOOW | 0.560 (14.2) |
| BP314HTAUBR | 096744 | 1/3 | 115/1 | 60 | 1750 | A | 8.0 | 19.0 | 14/3 | SOOW | 0.560 (14.2) |
| BP324HT | 096740 | 1/3 | 230/1 | 60 | 1750 | A | 4.0 | 13.0 | 14/3 | SOOW | 0.560 (14.2) |
| BP324HTAU | 096741 | 1/3 | 230/1 | 60 | 1750 | A | 4.0 | 13.0 | 14/3 | SOOW | 0.560 (14.2) |
| BP324HTBR | 096745 | 1/3 | 230/1 | 60 | 1750 | A | 4.0 | 13.0 | 14/3 | SOOW | 0.560 (14.2) |
| BP324HTAUBR | 096746 | 1/3 | 230/1 | 60 | 1750 | A | 4.0 | 13.0 | 14/3 | SOOW | 0.560 (14.2) |

Mechanical Switch on BP314HTA, cord 14/2, SJOOW, 0.370 (9.4MM) O.D., Piggy-Back Plug.
Mechanical Switch on BP314HTAU & BP324HTAU, cord 14/2, SJOOW, 0.370 (9.4MM) O.D.

IMPORTANT !

- 1.) PUMP MAY BE OPERATED "DRY" FOR EXTENDED PERIODS WITHOUT DAMAGE TO MOTOR AND/OR SEALS.
- 2.) INSTALLATIONS SUCH AS DECORATIVE FOUNTAINS OR WATER FEATURES PROVIDED FOR VISUAL ENJOYMENT MUST BE INSTALLED IN ACCORDANCE WITH THE NATIONAL ELECTRIC CODE ANSI/NFPA 70 AND/OR THE AUTHORITY HAVING JURISDICTION. THIS PUMP IS NOT INTENDED FOR USE IN SWIMMING POOLS, RECREATIONAL WATER PARKS, OR INSTALLATIONS IN WHICH HUMAN CONTACT WITH PUMPED MEDIA IS A COMMON OCCURRENCE.
- 3.) MUST USE A **HIGH TEMPERATURE** WIDE ANGLE LEVEL CONTROL IN HIGH TEMPERATURE APPLICATIONS.

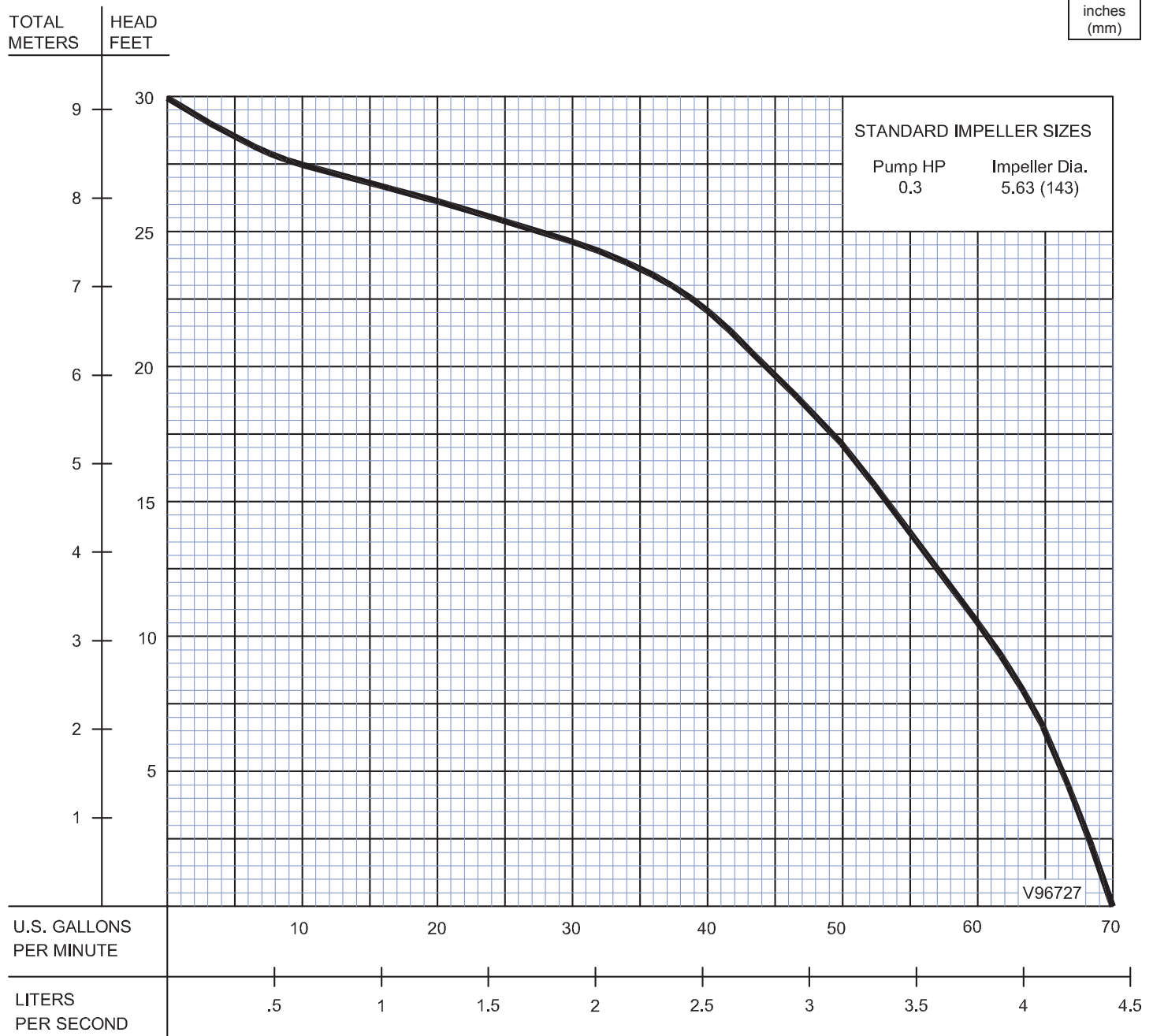
Series BP-HT

Performance Curve
1/3HP, 1750RPM, 60Hz

BARNES®

www.cranepumps.com

Submersible Effluent Pumps



Testing is performed with water, specific gravity 1.0 @ 68° F @ (20°C), other fluids may vary performance

SECTION 3A
PAGE 24
DATE 6/04

CRANE®

A Crane Co. Company

PUMPS & SYSTEMS

USA: (937) 778-8947 • Canada: (905) 457-6223 • International: (937) 615-3598