

Model OGP2022CO

Fixed Discharge Upgrade Core

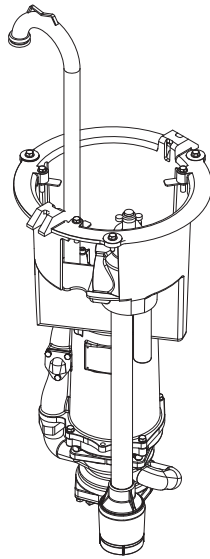
BARNES®

www.cranepumps.com

Submersible Grinder Pumps

omni
GRIND™
GRINDER PUMPS *plus+*

**Upgrade
Core.**



Series: OGP2022CO
2HP, 3450RPM, 60Hz
Upgrade Core with Level Control (Standard ESPS shown, SensaPRO optional)

This product may be covered by one or more of the following patents and other patent(s) pending:
US Patent 7,357,341 & US Patent 7,578,657

DESCRIPTION:

THE GRINDER PUMP IS DESIGNED TO REDUCE DOMESTIC SEWAGE TO A FINELY GROUND SLURRY.



WARNING:
CANCER AND REPRODUCTIVE HARM -
WWW.P65WARNINGS.CA.GOV

Specifications:

DISCHARGE 1¼" Tubing, Vertical, Bolt-on Flange
LIQUID TEMPERATURE 104°F (40°C) Continuous
VOLUTE Cast Iron ASTM A-48, Class 30
MOTOR HOUSING Cast Iron ASTM A-48, Class 30
SEAL PLATE Cast Iron ASTM A-48, Class 30
IMPELLERS: Design 12 Vane, Vortex, With Pump Out Vanes
 On Back Side. Dynamically Balanced, ISO G6.3.
	<i>Material</i> 85-5-5-5 Bronze
IMPELLER SPACER 300 Series Stainless Steel
SHREDDING RING Hardened 440C Stainless Steel
 Rockwell@ C-55.
CUTTER Hardened 440C Stainless Steel,
 Rockwell@ C-55.
SHAFT 416 Stainless Steel
SQUARE RINGS Buna-N
HARDWARE 300 Series Stainless Steel
PAINT Air Dry Enamel.
SEAL: Single Mechanical
	<i>Material</i> Rotating Faces - Silicon-Carbide
 Stationary Faces - Silicon-Carbide
 Elastomer - Buna-N
 Hardware - 300 Series Stainless
CORD ENTRY 15 ft. (4.5m) Std. Cord. Custom Molded
 Quick Connect, for Sealing and Strain Relief (EQD Optional)
CORD <i>Automatic</i> CSA/UL Approved 12/5 Type SOW
UPPER BEARING:	
	<i>Design</i> Single Row, Angular contact Ball
	<i>Lubrication</i> Oil
	<i>Load</i> Radial & Thrust
LOWER BEARING:	
	<i>Design</i> Single Row, Angular contact Ball
	<i>Lubrication</i> Oil
	<i>Load</i> Radial & Thrust
MOTOR: <i>Design</i> NEMA L-Single Phase Torque Curve,
 Oil-Filled, Squirrel Cage Induction
	<i>Insulation</i> Class F
SINGLE PHASE Capacitor Start/Capacitor Run
SUPPORT POD Engineered Polyamide Pod, Stainless
 Hardware and Polypropylene Rope
LEVEL CONTROL:	
	<i>Standard</i> Model ESPS-150E, Environmentally
 sealed pressure switch with CPVC
 housing, HNBR diaphragm, Custom
 Molded Quick Connect for Sealing
 and Strain Relief
	<i>Optional</i> SensaPRO, Mechanical Level
 Control with custom molded quick
 connect for sealing and strain relief.
CHECK VALVE	
	<i>Body</i> Integrated PA Composite
	<i>Seat</i> ASTM C836
	<i>Flap</i> Fiber Reinforced Buna
RECOMMENDED	
 Seal Kit PN 116664
 Service Kit PN 116665



SECTION 3B
PAGE 26
DATE 3/19

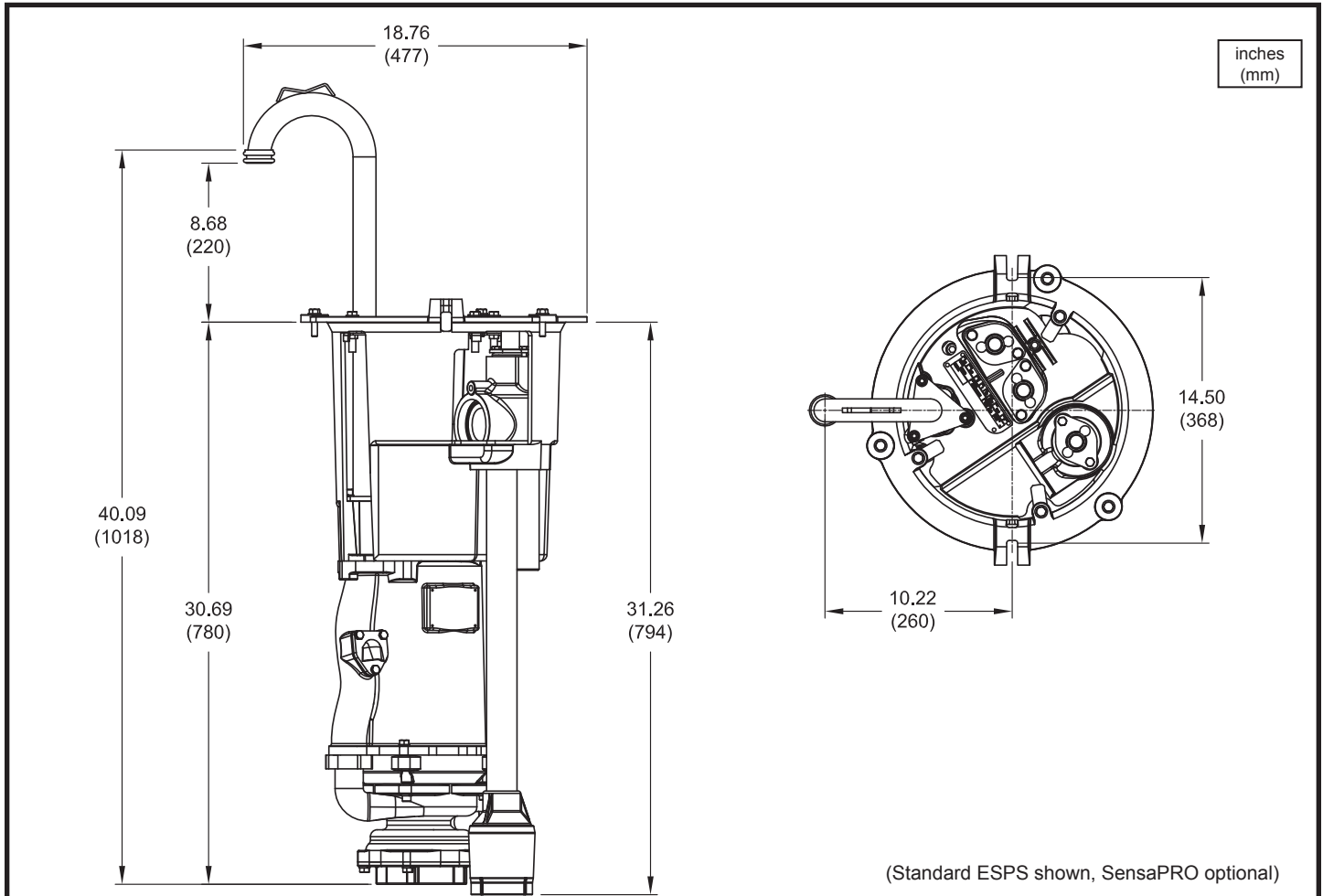
CRANE
®

A Crane Co. Company

PUMPS & SYSTEMS

USA: (937) 778-8947 • Canada: (905) 457-6223 • International: (937) 615-3598

Submersible Grinder Pumps




MODEL NO	PART NO	HP	VOLT/PH	Hz	RPM (Nom)	NEMA START CODE	FULL LOAD AMPS	LOCKED ROTOR AMPS	CORD SIZE	CORD TYPE	CORD O.D. ± .02 (.5) in (mm)	OPTIONAL EQD
OGP2022CO	131717	2	240/1	60	3450	H	16.5	53.8	12/5 - 15'	SOW	.71 (18)	None
OGP2022CO	131717XC	2	240/1	60	3450	H	16.5	53.8	12/5 - 30'	SOW	.71 (18)	None
OGP2022CO	131717E	2	240/1	60	3450	H	16.5	53.8	12/5 - 15'	SOW	.71 (18)	2000 Series
OGP2022CO	131717EXC	2	240/1	60	3450	H	16.5	53.8	12/5 - 30'	SOW	.71 (18)	2000 Series
OGP2022CO	131717T	2	240/1	60	3450	H	16.5	53.8	12/5 - 15'	SOW	.71 (18)	Extreme Series
OGP2022CO	131717TXC	2	240/1	60	3450	H	16.5	53.8	12/5 - 30'	SOW	.71 (18)	Extreme Series

Optional Circuit Breakers - Ordered Separately

PART NO.	DESCRIPTION
113291B	20 AMP, GE THQP Snap in Breaker
105476	20 AMP, DIN Rail Breaker

OPTIONAL INDOOR REMOTE ALARM LIGHT

	PART NO.	PLATE COLOR
	130849B	ALMOND
	130849W	WHITE
	130849S	STAINLESS

(Ordered Separately)

NOTE:

ADD 'P' SUFFIX TO PART NUMBER FOR SENSAPRO MECHANICAL LEVEL CONTROL OPTION.

IMPORTANT !

- PUMP MAY BE OPERATED "DRY" FOR EXTENDED PERIODS WITHOUT DAMAGE TO MOTOR AND/OR SEALS.
- INSTALLATIONS SUCH AS DECORATIVE FOUNTAINS OR WATER FEATURES PROVIDED FOR VISUAL ENJOYMENT MUST BE INSTALLED IN ACCORDANCE WITH THE NATIONAL ELECTRIC CODE ANSI/NFPA 70 AND/OR THE AUTHORITY HAVING JURISDICTION. THIS PUMP IS NOT INTENDED FOR USE IN SWIMMING POOLS, RECREATIONAL WATER PARKS, OR INSTALLATIONS IN WHICH HUMAN CONTACT WITH PUMPED MEDIA IS A COMMON OCCURRENCE.

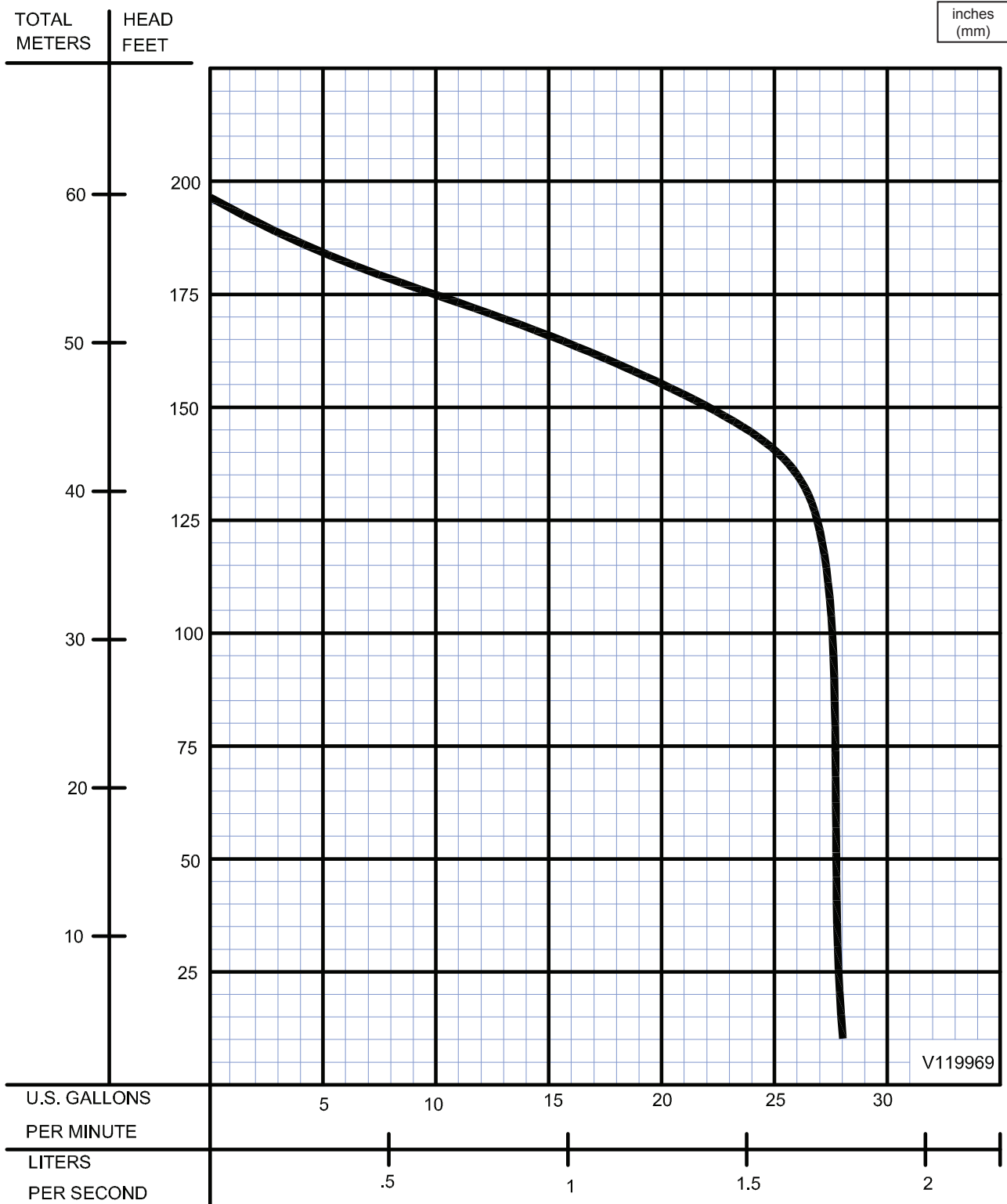
Model OGP2022CO

Fixed Discharge Upgrade Core
Performance Curve 2HP, 3450RPM, 60Hz

BARNES®

www.cranepumps.com

Submersible Grinder Pumps



Performance curve includes impact of integral anti-siphon and check valve.
Testing is performed with water, specific gravity 1.0 @ 68° F @ (20°C), other fluids may vary performance

SECTION 3B
PAGE 28
DATE 6/15

CRANE
A Crane Co. Company

PUMPS & SYSTEMS

USA: (937) 778-8947 • Canada: (905) 457-6223 • International: (937) 615-3598