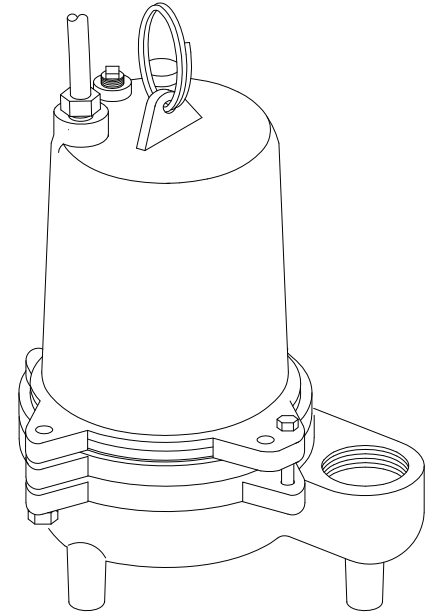


- DISCHARGE** 2" NPT, Female, Vertical
LIQUID TEMPERATURE
SE411 77°F (25°C) Continuous
SE421 104°F (40°C) Continuous
- VOLUTE** Cast Iron ASTM A-48, Class 30
MOTOR HOUSING Cast Iron ASTM A-48, Class 30
SEAL PLATE Cast Iron ASTM A-48, Class 30
IMPELLER:
Design 2 Vane, Open with pump out vanes on back side, Dynamically Balanced, ISO G6.3
Material Cast Iron ASTM A-48, Class 30
- SHAFT** 416 Stainless Steel
SQUARE RINGS Buna-N
HARDWARE 300 Series Stainless Steel
PAINT Air Dry Enamel
SEAL: *Design* Single Mechanical, Oil Filled Reservoir, Secondary Exclusion Seal
 Material Carbon/Ceramic/Buna-N
 Hardware - 300 Series Stainless
- CORD ENTRY** 15 ft. (5m) Quick Disconnect Cord with plug
 On 115Volt, Pressure Grommet for sealing and strain relief
- SPEED** 1750 RPM (Nominal)
UPPER BEARING Single Row, Ball, Oil Lubricated
 Load Radial
- LOWER BEARING** Single Row, Ball, Oil Lubricated
 Load Radial & Thrust
- MOTOR:** *Design* NEMA L Torque Curve, Oil Filled, Squirrel Cage Induction
 Insulation Class B
- SINGLE PHASE** Permanent Split Capacitor (PSC)
 Includes Overload Protection in Motor
- LEVEL CONTROL** "A" - Wide Angle, PVC, Mechanical, 15 ft (5m) cord with Piggy-Back Plug, N/O
 "VF" - Vertical Float, PVC, Snap Action, 15 ft (5m) cord, with Piggy-Back plug.
 OFF point ONLY is adjustable
- OPTIONAL EQUIPMENT** Seal Material, Additional Cord

RECOMMENDED:

- Accessories* Break Away Fitting (BAF)
 Check Valve
 Control Panel
- Seal Kit PN* 085202
Service Kit PN 085201



Series: SE (SE411 & SE421)
.4HP, 1750RPM, 60Hz

Sample Specifications: Section 1 Page 3.

DESCRIPTION:

SUBMERSIBLE NON-CLOG SEWAGE PUMP
DESIGNED FOR TYPICAL RAW SEWAGE
APPLICATIONS



WARNING:
CANCER AND REPRODUCTIVE HARM -
WWW.P65WARNINGS.CA.GOV



Series SE-411/421

2" Spherical Solids Handling
Manual & Automatic

BARNES®

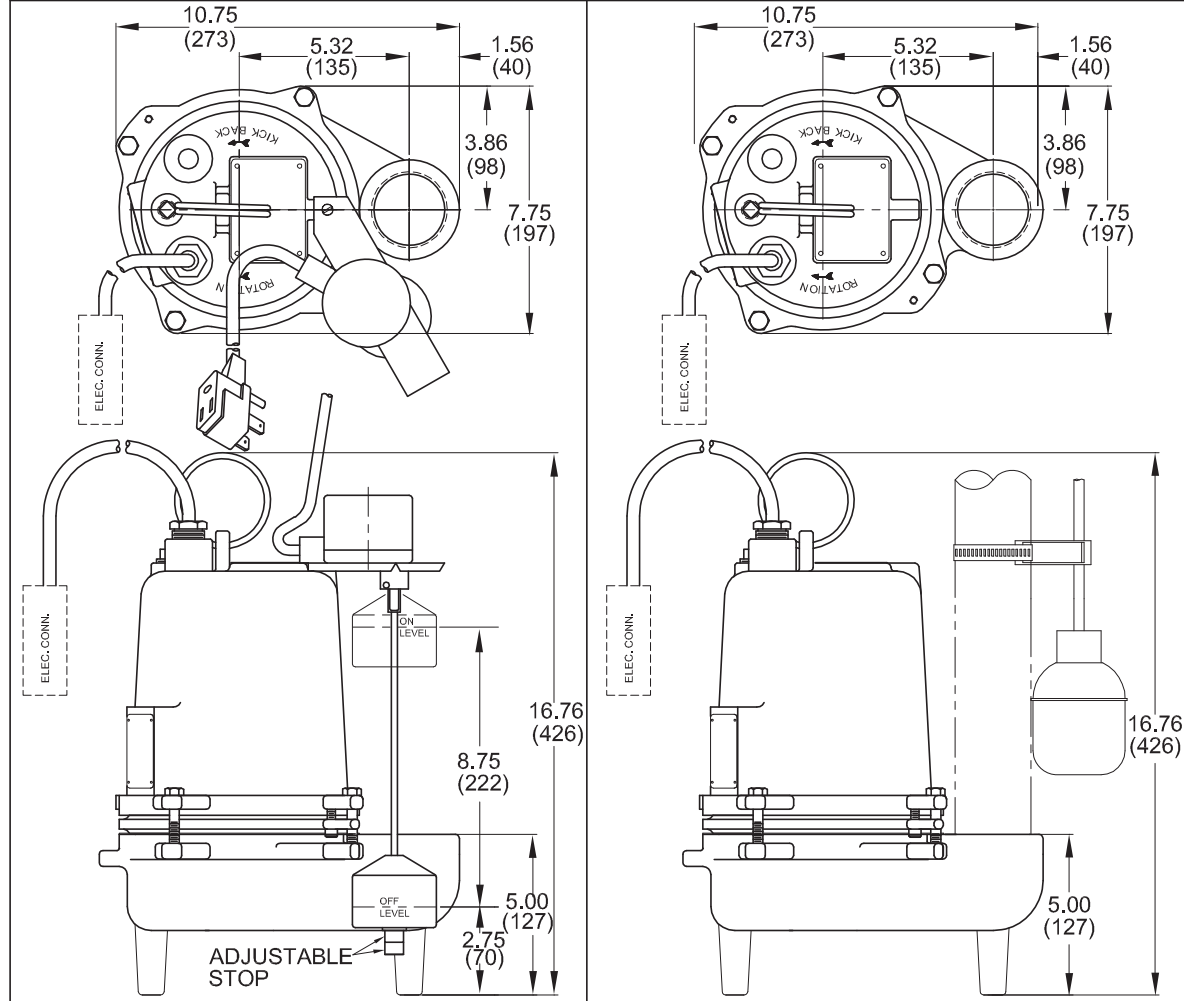
www.cranepumps.com

1½", 2" & 3" Discharge

SE411VF

SE411 & SE421 (Less Float)
SE411A

inches
(mm)



MODEL NO	PART NO	HP	VOLT/PH	Hz	RPM (Nom)	NEMA START CODE	FULL LOAD AMPS	LOCKED ROTOR AMPS	CORD SIZE	CORD TYPE	CORD O.D inch (mm)
SE411	096747	0.4	115/1	60	1750	C	12.0	19.0	16/3	SJTOW	0.310 (7.9)
SE411A	096748	0.4	115/1	60	1750	C	12.0	19.0	16/3	SJTOW	0.310 (7.9)
SE411VF	100836	0.4	115/1	60	1750	C	12.0	19.0	16/3	SJTOW	0.310 (7.9)
SE421	096750	0.4	230/1	60	1750	C	6.2	13.0	14/3	SJTOW	0.375 (9.5)

Mechanical Switch on SE-A, cord 16/2, SJOW, Piggy-Back Plug
Vertical Switch on SE-VF, cord 16/2, SJOW, 0.320 (8.1mm) O.D. Piggy-Back Plug

IMPORTANT !

- 1.) PUMP MAY BE OPERATED "DRY" FOR EXTENDED PERIODS WITHOUT DAMAGE TO MOTOR AND/OR SEALS.
- 2.) INSTALLATIONS SUCH AS DECORATIVE FOUNTAINS OR WATER FEATURES PROVIDED FOR VISUAL ENJOYMENT MUST BE INSTALLED IN ACCORDANCE WITH THE NATIONAL ELECTRIC CODE ANSI/NFPA 70 AND/OR THE AUTHORITY HAVING JURISDICTION. THIS PUMP IS NOT INTENDED FOR USE IN SWIMMING POOLS, RECREATIONAL WATER PARKS, OR INSTALLATIONS IN WHICH HUMAN CONTACT WITH PUMPED MEDIA IS A COMMON OCCURRENCE.

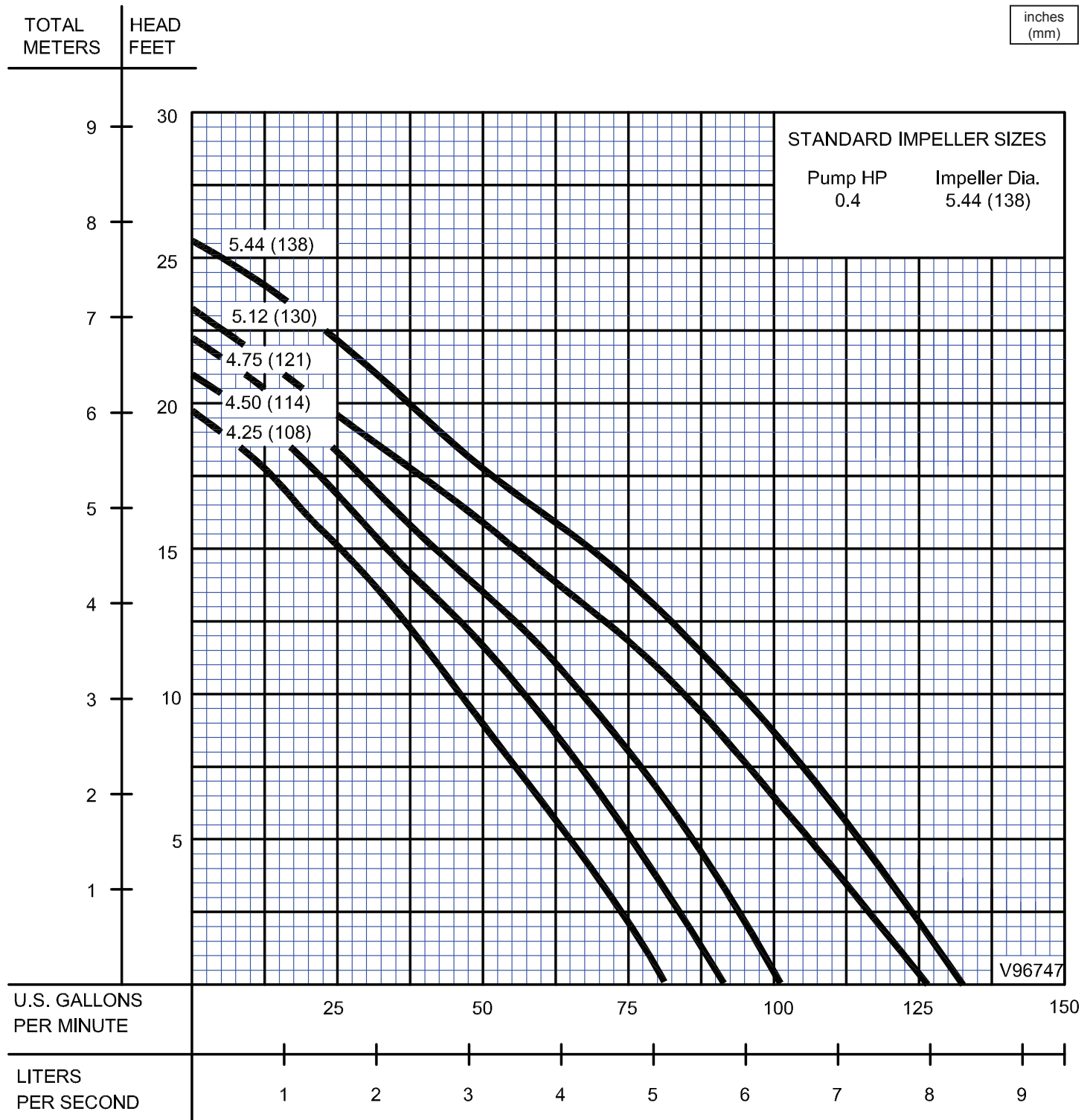
SECTION 1B
PAGE 2
DATE 4/15

CRANE®

PUMPS & SYSTEMS

A Crane Co. Company

USA: (937) 778-8947 • Canada: (905) 457-6223 • International: (937) 615-3598



Testing is performed with water, specific gravity 1.0 @ 68° F @ (20°C), other fluids may vary performance