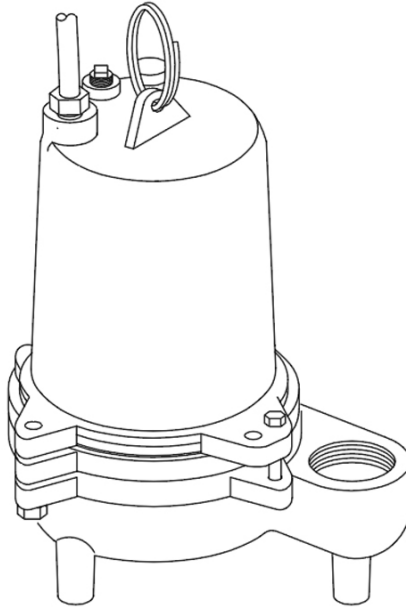


SE-411/421 - .4HP

2" Spherical Solids Handling - Manual & Automatic



Specifications

DISCHARGE: 2" NPT, Female, vertical

SPEED: 1750 RPM (Nominal)

LIQUID TEMPERATURE:

- **SE411:** 77°F (25°C) Continuous
- **SE412:** 104°F (40°C) Continuous

MOTOR HOUSING: Cast iron ASTM A-48, class 30

IMPELLER:

- **Design:** 2 Vane, open with pump out vanes on back side, dynamically balanced, ISO G6.3
- **Material:** Cast iron ASTM A-48, class 30

CORD ENTRY: 15 ft. (5m) Quick disconnect cord with plug On 115Volt, pressure grommet for sealing and strain relief

MOTOR:

- **Design:** NEMA L torque curve, oil filled, squirrel cage induction
- **Insulation:** Class B

VOLUTE: Cast iron ASTM A-48, class 30

SEAL PLATE: Cast iron ASTM A-48, class 30

SHAFT: 416 Stainless steel

SQUARE RINGS: Buna-N

HARDWARE: 300 Series stainless steel

PAINT: Air dry enamel

UPPER BEARING:

- **Design:** Single row, ball
- **Lubrication:** Oil
- **Load:** Radial

LOWER BEARING:

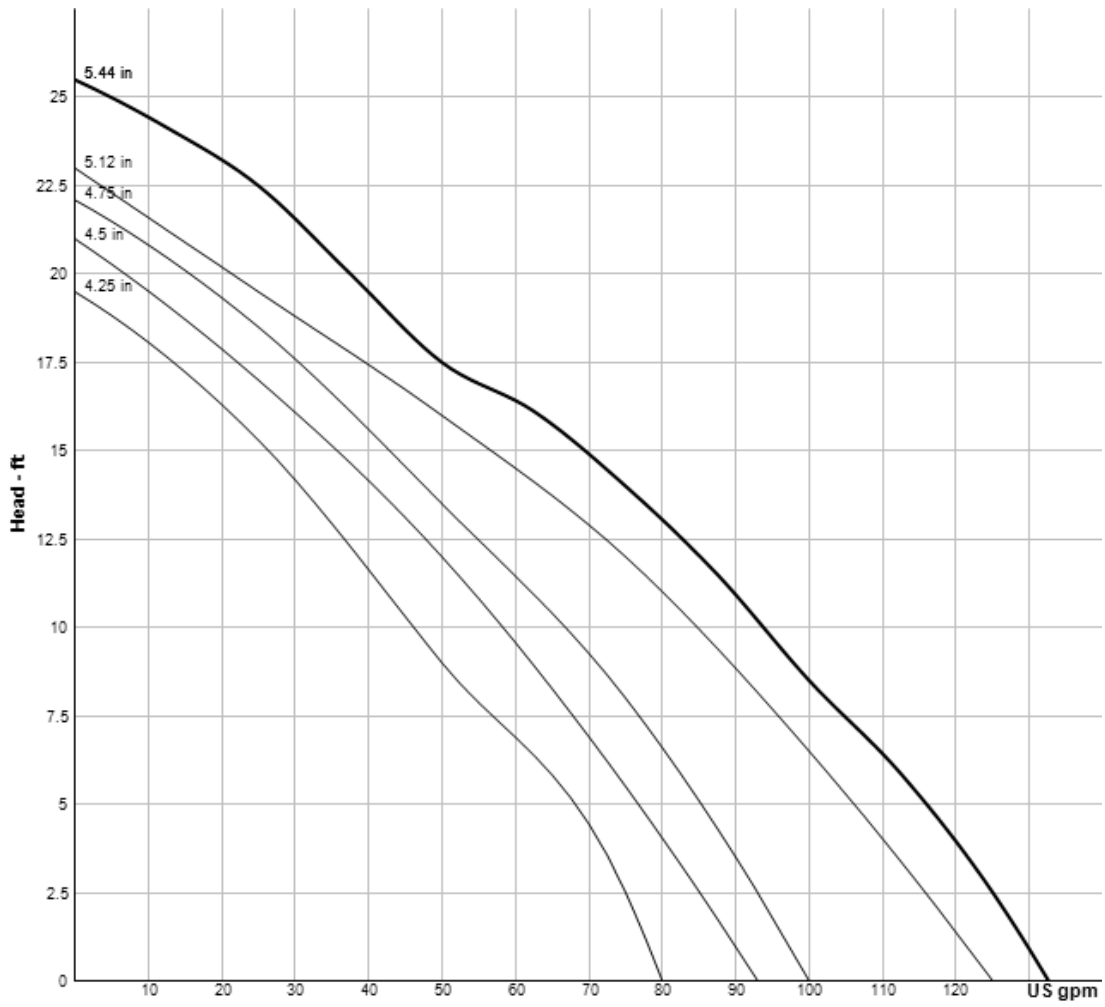
- **Design:** Single row, ball
- **Lubrication:** Oil
- **Load:** Radial & thrust

SINGLE PHASE: Permanent split capacitor (PSC) includes overload protection in motor

LEVEL CONTROL: "A" - Wide angle, PVC, mechanical, 15 ft (5m) cord with piggy-back plug, N/O

LEVEL CONTROL: "VF" - Vertical float, PVC, snap action, 15 ft (5m) cord, with piggy-back plug. OFF point ONLY is adjustable

Curves



Pump HP	Impeller Dia mm (in.)
0.4	138 (5.44)

Model Information

MODEL NO	SE411	SE411A	SE411VF	SE421
PART NO	096747	096748	100836	096750
HP	0.4	0.4	0.4	0.4

MODEL NO	SE411	SE411A	SE411VF	SE421
VOLT/PH	115/1	115/1	115/1	230/1
Hz	60	60	60	60
RPM (nom)	1750	1750	1750	1750
NEMA START CODE	C	C	C	C
FULL LOAD AMPS	12	12	12	6.2
LOCKED ROTOR AMPS	19	19	19	13
CORD SIZE	16/3	16/3	16/3	14/3
CORD TYPE	SJTOW	SJTOW	SJTOW	SJTOW
CORD O.D inch (mm)	0.310 (7.9)	0.310 (7.9)	0.310 (7.9)	0.375 (9.5)

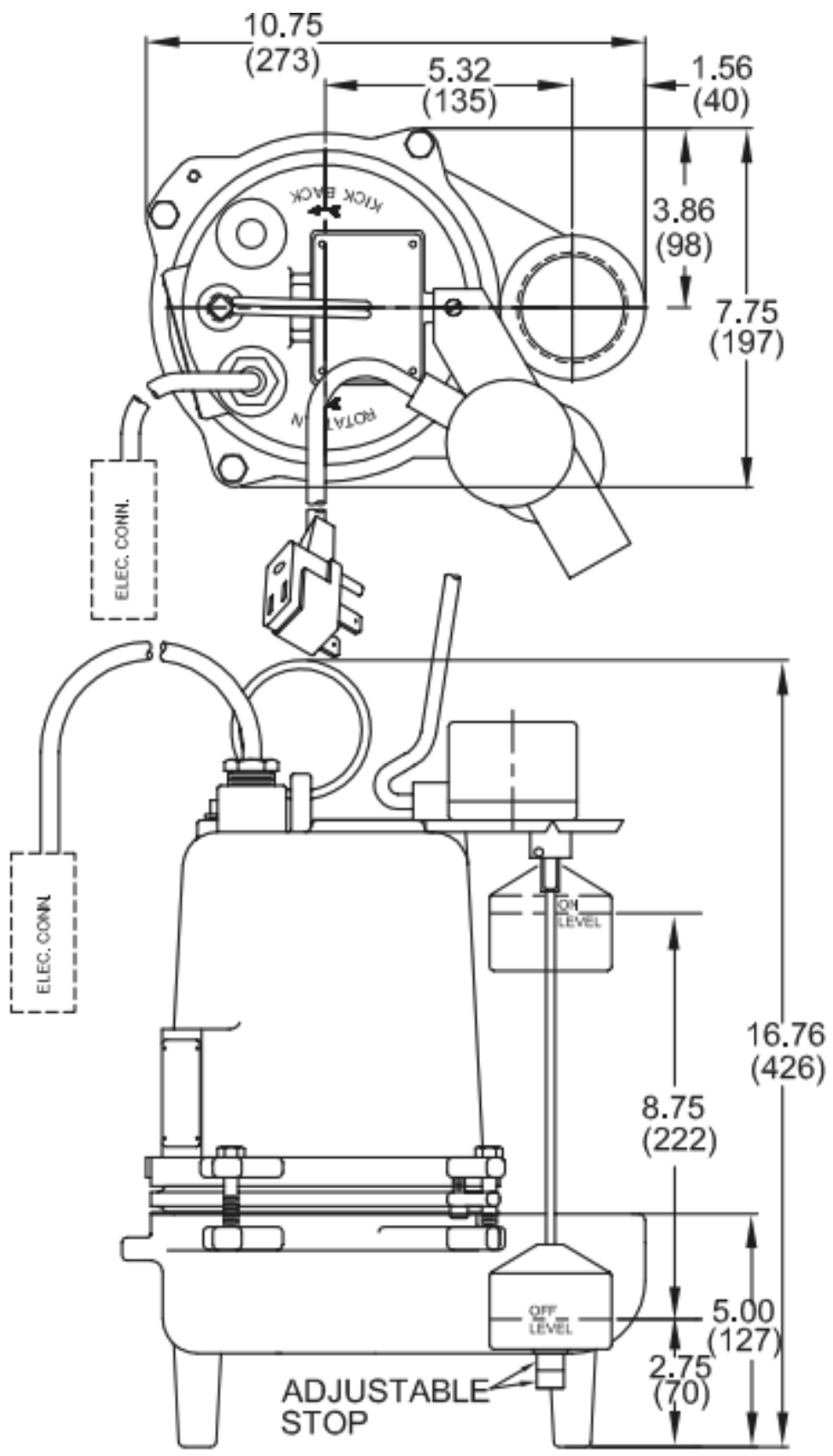


IMPORTANT

- 1.) PUMP MAY BE OPERATED "DRY" FOR EXTENDED PERIODS WITHOUT DAMAGE TO MOTOR AND/OR SEALS.
- 2.) INSTALLATIONS SUCH AS DECORATIVE FOUNTAINS OR WATER FEATURES PROVIDED FOR VISUAL ENJOYMENT MUST BE INSTALLED IN ACCORDANCE WITH THE NATIONAL ELECTRIC CODE ANSI/NFPA 70 AND/OR THE AUTHORITY HAVING JURISDICTION. THIS PUMP IS NOT INTENDED FOR USE IN SWIMMING POOLS, RECREATIONAL WATER PARKS, OR INSTALLATIONS IN WHICH HUMAN CONTACT WITH PUMPED MEDIA IS A COMMON OCCURRENCE.

Drawings

SE411VF



SE411 & SE421 (Less Float) SE411A

