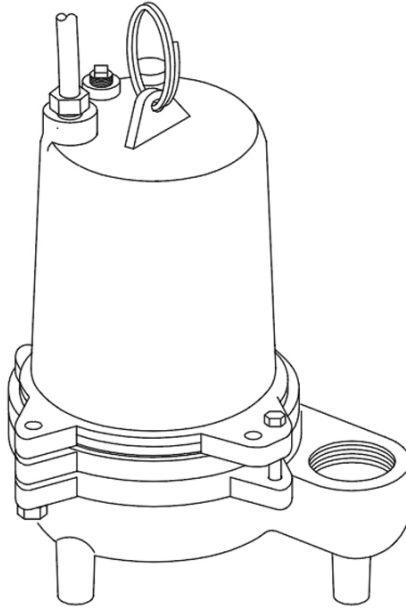


SE/SEV-511/521 – .5HP

2" Spherical Solids Handling - Manual & Automatic



Specifications

DISCHARGE: 2" NPT, Female, vertical

SPEED: 1750 RPM (Nominal)

LIQUID TEMPERATURE: 104°F (40°C) Continuous

MOTOR HOUSING: Cast iron ASTM A-48, class 30

IMPELLER:

- **Design:** 2 Vane, open
- **Material:** Cast iron ASTM A-48, class 30
- **Design:** 12 Vane, vortex. with pump out vanes on back side
- **Material:** Cast iron ASTM A-48, class 30

CORD ENTRY: 15 ft. (5m) Quick disconnect cord with plug On 115 volt, pressure grommet for sealing and strain relief

MOTOR:

- **Design:** NEMA L torque curve, oil filled, squirrel cage induction
- **Insulation:** Class B

VOLUTE: Cast iron ASTM A-48, class 30

SEAL PLATE: Cast iron ASTM A-48, class 30

SHAFT: 416 Stainless steel

SQUARE RINGS: Buna-N

HARDWARE: 300 Series stainless steel

PAINT: Air dry enamel

UPPER BEARING:

- **Design:** Single row, ball
- **Lubrication:** Oil
- **Load:** Radial

LOWER BEARING:

- **Design:** Single row, ball
- **Lubrication:** Oil
- **Load:** Radial & thrust

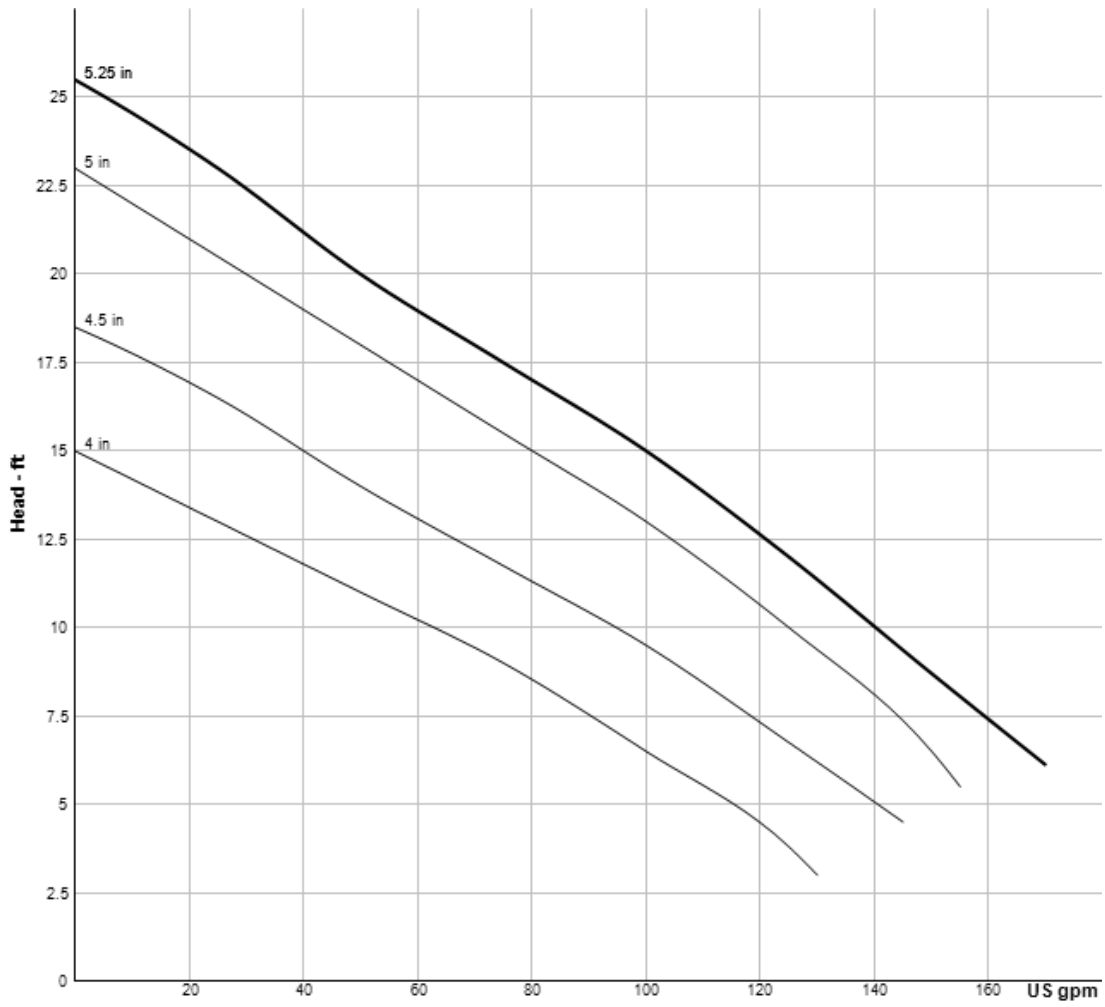
SINGLE PHASE: Permanent split capacitor (PSC) includes overload protection in motor

LEVEL CONTROL: "A" - Wide angle, PVC, mechanical, 15 ft (5m) cord with piggy-back plug, N/O

LEVEL CONTROL: "AU"- Wide angle, polypropylene, mechanical, N/O, integral to pump. ON and OFF points are adjustable

LEVEL CONTROL: "VF" - Vertical float, PVC, snap action, 15 ft (5m) cord, with piggy-back plug. OFF point ONLY is adjustable

Curves



Pump HP	Impeller Dia mm (in.)
0.5 SE	143 (5.62)
0.5 SEV	146 (5.75)

Model Information

MODEL NO	SE511	SE511A	SE511AU	SE511VF	SE521	SE521AU	SEV511	SEV511A	SEV511AL
PART NO	096752	096753	096754	100837	096755	096756	096757	096758	096759
HP	0.5	0.5	0.5	0.5	0.5	0.5	0.5	0.5	0.5
VOLT/PH	115/1	115/1	115/1	115/1	230/1	230/1	115/1	115/1	115/1
Hz	60	60	60	60	60	60	60	60	60
RPM (nom)	1750	1750	1750	1750	1750	1750	1750	1750	1750
NEMA START CODE	A	A	A	A	A	A	A	A	A
FULL LOAD AMPS	12	12	12	12	6.2	6.2	12	12	12
LOCKED ROTOR AMPS	26	26	26	26	13	13	26	26	26
CORD SIZE	14/3	14/3	14/3	14/3	14/3	14/3	14/3	14/3	14/3
CORD TYPE	SJTOW	SJTOW	SJTOW	SJTOW	SJTOW	SJTOW	SJTOW	SJTOW	SJTOW
CORD O.D inch (mm)	0.375 (9.5)	0.375 (9.5)	0.375 (9.5)	0.375 (9.5)	0.375 (9.5)	0.375 (9.5)	0.375 (9.5)	0.375 (9.5)	0.375 (9.5)

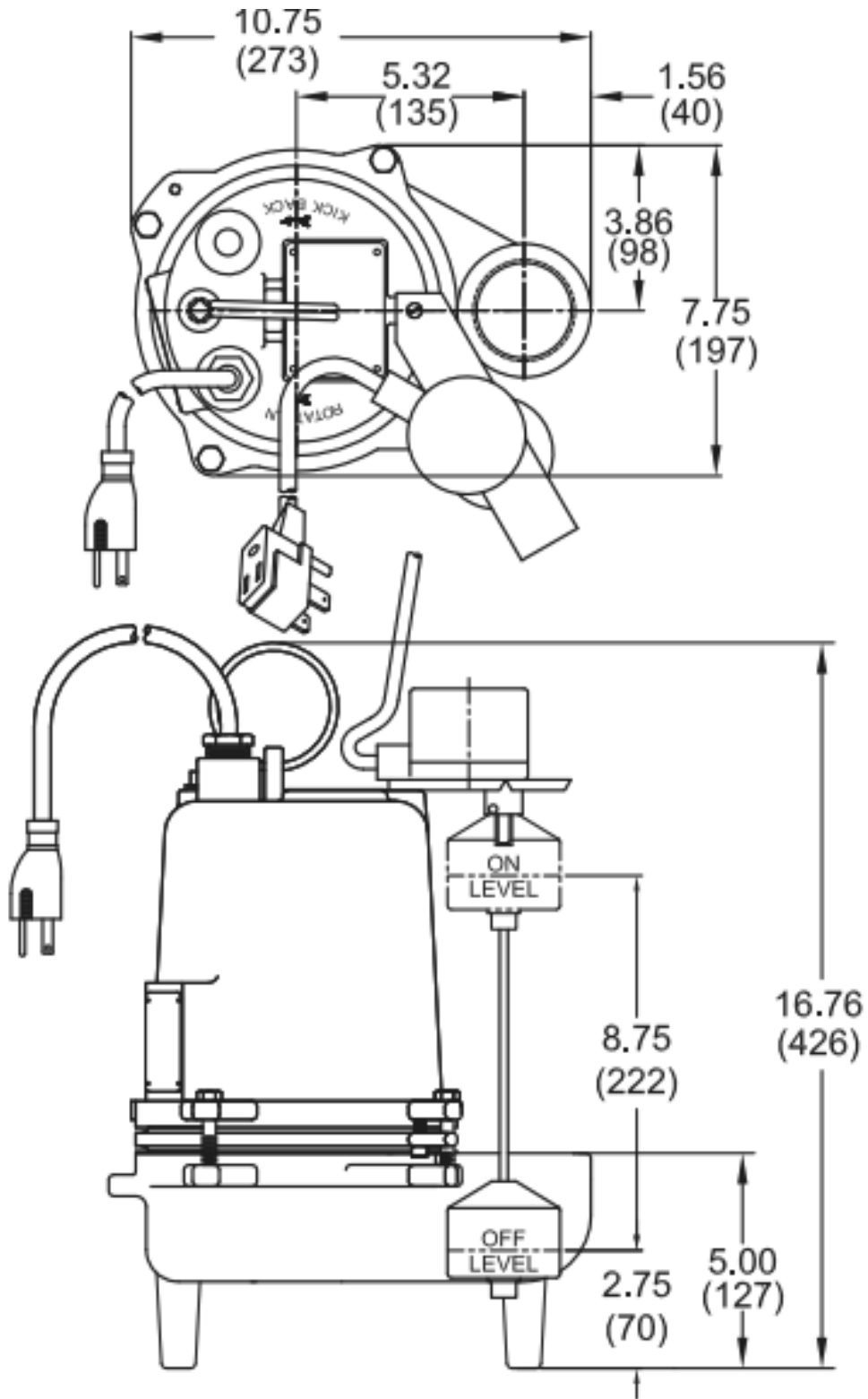


IMPORTANT

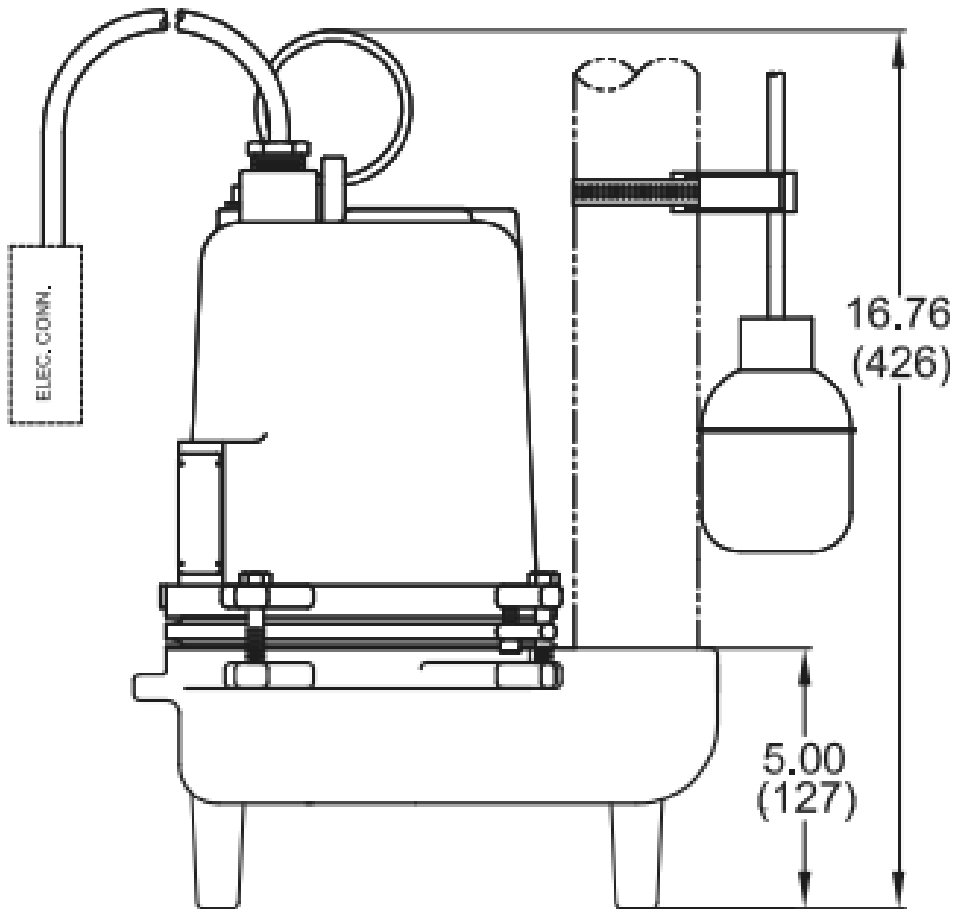
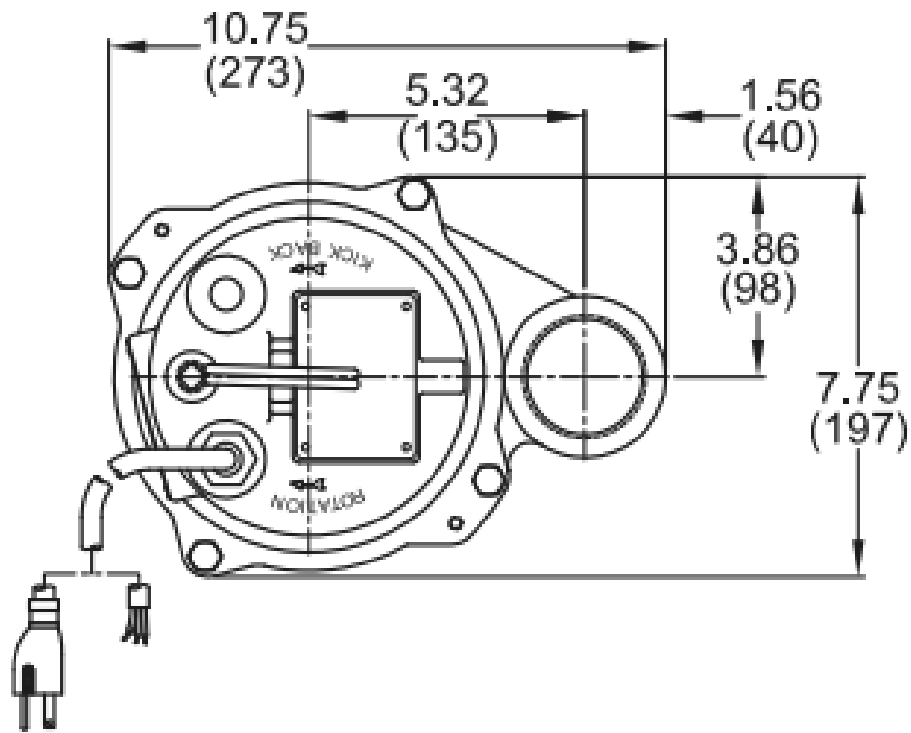
- 1.) PUMP MAY BE OPERATED "DRY" FOR EXTENDED PERIODS WITHOUT DAMAGE TO MOTOR AND/OR SEALS.
- 2.) INSTALLATIONS SUCH AS DECORATIVE FOUNTAINS OR WATER FEATURES PROVIDED FOR VISUAL ENJOYMENT MUST BE INSTALLED IN ACCORDANCE WITH THE NATIONAL ELECTRIC CODE ANSI/NFPA 70 AND/OR THE AUTHORITY HAVING JURISDICTION. THIS PUMP IS NOT INTENDED FOR USE IN SWIMMING POOLS, RECREATIONAL WATER PARKS, OR INSTALLATIONS IN WHICH HUMAN CONTACT WITH PUMPED MEDIA IS A COMMON OCCURRENCE.

Drawings

SE511VF & SEV511VF



SE511, SE521, SEV511, SEV521 (Less Float), SE511A, SEV511A



SE511AU, SE521AU, SEV511AU, SEV521AU

