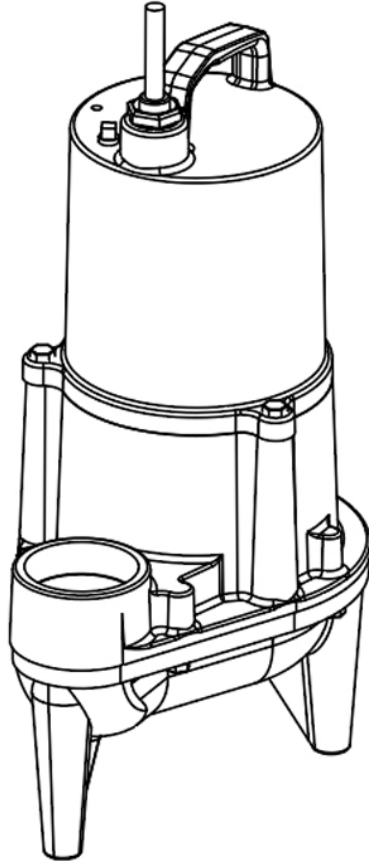


SEV412 – .5HP

2" Spherical Solids Handling - Manual & Automatic



Specifications

DISCHARGE: 2" NPT, Female, vertical

SPEED: 1750 RPM (Nominal)

LIQUID TEMPERATURE: 77°F (25°C) Continuous

MOTOR HOUSING: Cast iron

PUMP BODY: Cast iron

IMPELLER:

- **Design:** .Multi-vane, vortex
- **Material:** Cast iron

CORD ENTRY: 15 ft. (5m) Quick disconnect cord with plug On 115 volt, pressure grommet for sealing and strain relief

MOTOR:

- **Design:** Oil filled
- **Insulation:** Class B

VOLUTE: Cast iron ASTM A-48, class 30

SEAL PLATE: Cast iron ASTM A-48, class 30

SHAFT: 416 Stainless steel

SQUARE RINGS: Buna-N

HARDWARE: 300 Series stainless steel

PAINT: Air dry enamel

UPPER BEARING:

- **Design:** Single row, ball
- **Lubrication:** Oil
- **Load:** Radial

LOWER BEARING:

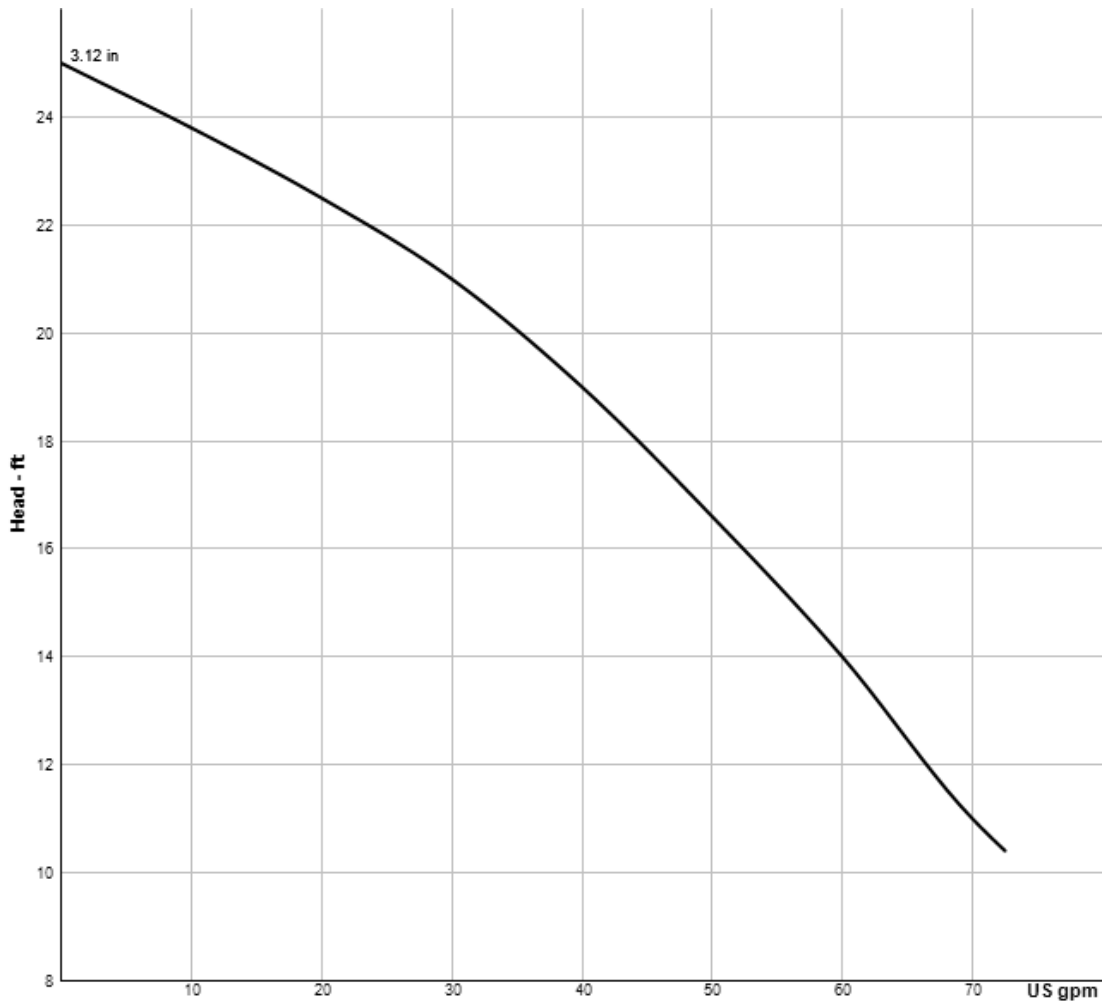
- **Design:** Single row, ball
- **Lubrication:** Oil
- **Load:** Radial & thrust

SINGLE PHASE: Permanent split capacitor (PSC) includes overload protection in motor

LEVEL CONTROL:

- **SEV412:** None
- **SEV412A:** Wide angle, mechanical, 20 ft (6m) cord pipe mounted
- **SEV412VF:** Vertical float, PVC, snap action
- **SEV412VFT:** Attached vertical float, PVC, snap action
- **SEV412AT:** Wide angle, mechanical, 20 ft (6m) cord pump mounted

Curves



Pump HP	Impeller Dia mm (in.)
0.5	79 (3.12)

Model Information

MODEL NO	SEV412	SEV412A	SEV412VF	SEV412AT	SEV412VFT
PART NO	101292	101293	101294	103544	110404
HP	0.5	0.5	0.5	0.5	0.5

MODEL NO	SEV412	SEV412A	SEV412VF	SEV412AT	SEV412VFT
VOLT/PH	115/1	115/1	115/1	115/1	115/1
Hz	60	60	60	60	60
RPM (nom)	3450	3450	3450	3450	3450
NEMA START CODE	H	H	H	H	H
FULL LOAD AMPS	10.5	10.5	10.5	10.5	10.5
LOCKED ROTOR AMPS	18.6	18.6	18.6	18.6	18.6
CORD SIZE	20 ft. (6m)	20 ft. (6m)	20 ft. (6m)	20 ft. (6m)	20 ft. (6m)
CORD TYPE	14/3	14/3	14/3	14/3	14/3
CORD O.D inch (mm)	SJTOW	SJTOW	SJTOW	SJTOW	SJTOW

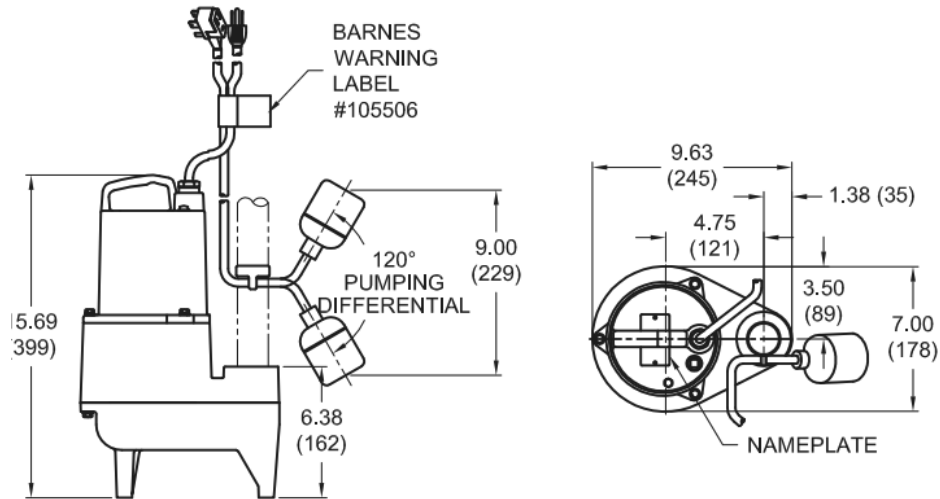


IMPORTANT

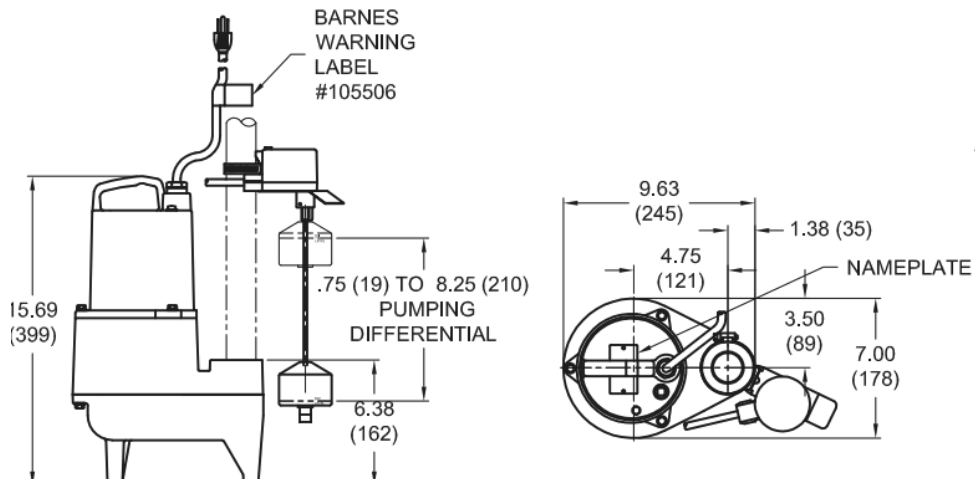
- 1.) PUMP MAY BE OPERATED "DRY" FOR EXTENDED PERIODS WITHOUT DAMAGE TO MOTOR AND/OR SEALS.
- 2.) INSTALLATIONS SUCH AS DECORATIVE FOUNTAINS OR WATER FEATURES PROVIDED FOR VISUAL ENJOYMENT MUST BE INSTALLED IN ACCORDANCE WITH THE NATIONAL ELECTRIC CODE ANSI/NFPA 70 AND/OR THE AUTHORITY HAVING JURISDICTION. THIS PUMP IS NOT INTENDED FOR USE IN SWIMMING POOLS, RECREATIONAL WATER PARKS, OR INSTALLATIONS IN WHICH HUMAN CONTACT WITH PUMPED MEDIA IS A COMMON OCCURRENCE.

Drawings

SEV412A, SEV412 (Less Float), SEV412AT (Attached to Motor Housing)



SEV412VF



SEV412VFT