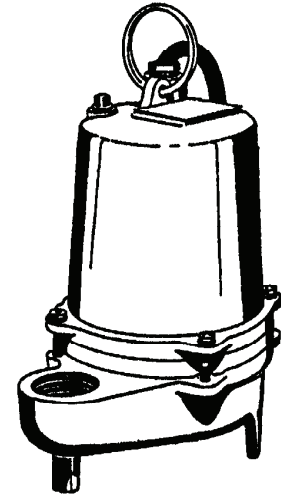


### Submersible Fountain Pumps

<b>DISCHARGE</b> .....	2" NPT, Female, Vertical
<b>LIQUID TEMPERATURE</b> .....	77°F (25°C) Continuous
<b>VOLUTE</b> .....	Cast Iron ASTM A-48, Class 30
<b>MOTOR HOUSING</b> .....	Cast Iron ASTM A-48, Class 30
<b>SEAL PLATE</b> .....	Cast Iron ASTM A-48, Class 30
<b>IMPELLER: Design</b> .....	2 Vane open, with pump out vanes on back side. Dynamically balanced, ISO G6.3
<b>Material:</b> .....	Cast Iron ASTM A-48, Class 30
<b>SHAFT</b> .....	416 Stainless Steel
<b>SQUARE RINGS</b> .....	Buna-N
<b>HARDWARE</b> .....	300 Series Stainless Steel
<b>PAINT</b> .....	Air Dry Enamel
<b>SEAL: Design</b> .....	Single Mechanical, Oil Filled reservoir Secondary Exclusion Seal
<b>Material</b> .....	Carbon/Ceramic/Buna-N Hardware -300 Series Stainless
<b>CORD ENTRY</b> .....	15 ft. (5m) Quick Disconnect Cord with plug On 115 Volt, Pressure Grommet for sealing and strain relief
<b>UPPER BEARING</b> .....	Single Row, Ball, Oil Lubricated
<b>LOWER BEARING</b> .....	Single Row, Ball, Oil Lubricated
<b>MOTOR: Design</b> .....	NEMA L Torque curve, Oil Filled, Squirrel cage Induction
<b>Insulation</b> .....	Class B
<b>SINGLE PHASE</b> .....	Permanent Split Capacitor (PSC). Includes thermal overload protection in motor
<b>OPTIONAL EQUIPMENT</b> .....	Seal Material, Additional cord and Cast Iron Impeller

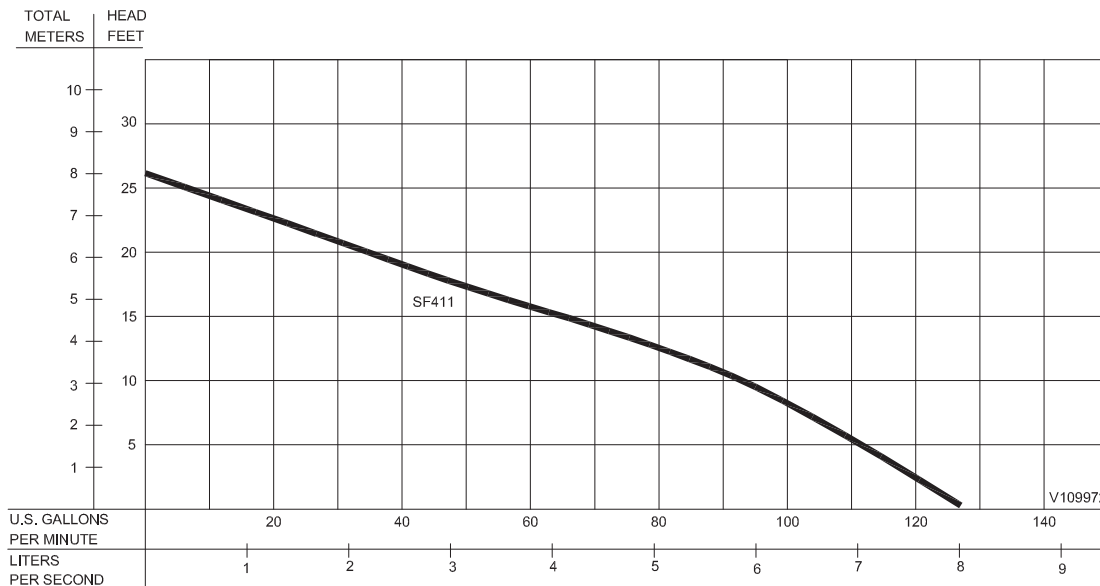


### Series: SF .4HP, 1750RPM, 60Hz

**DESCRIPTION:**  
THESE PUMP ARE SPECIALLY DESIGNED FOR USE IN  
DRAMATIC, DECORATIVE WATER DISPLAYS

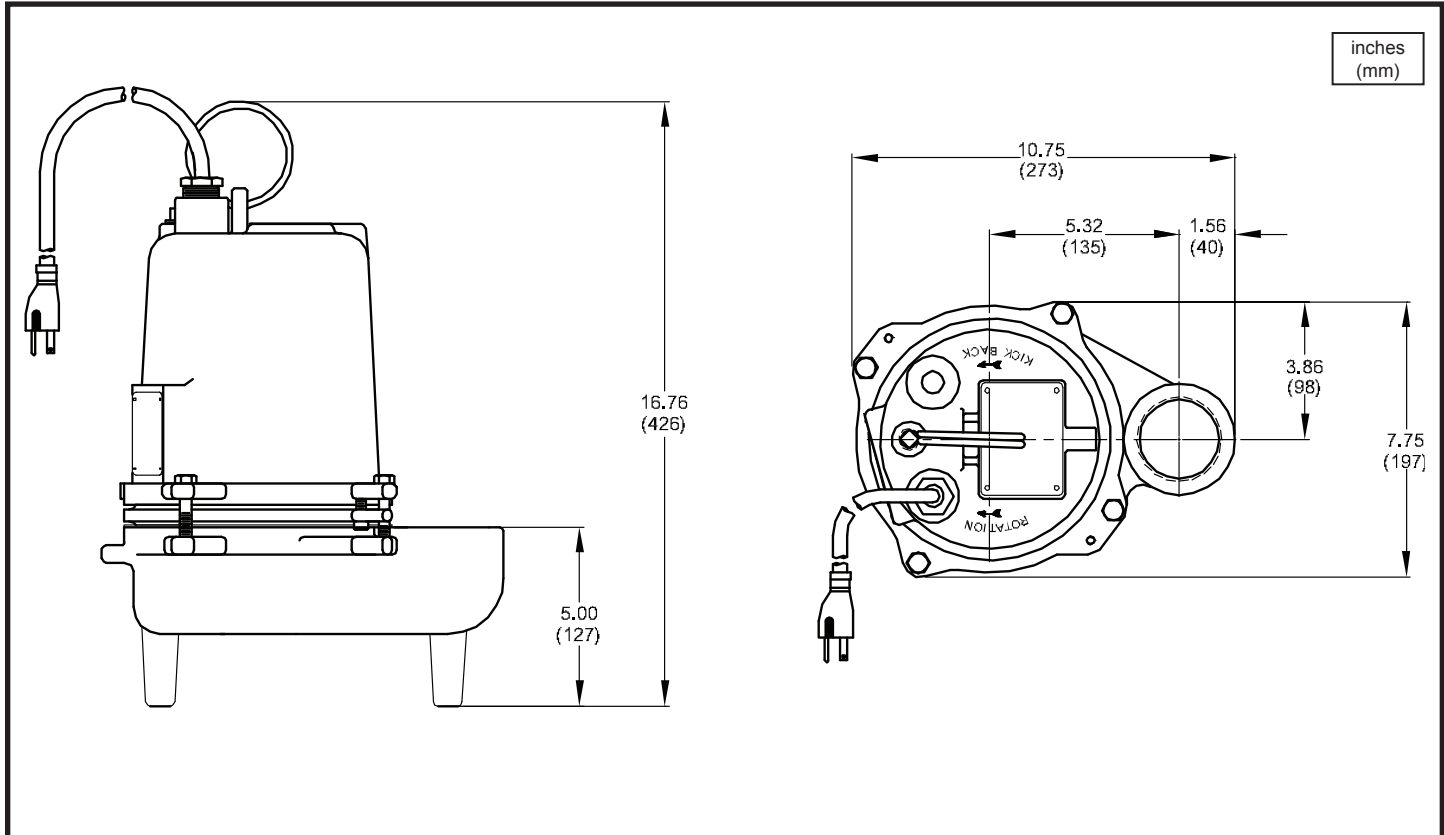


**WARNING:**  
CANCER AND REPRODUCTIVE HARM -  
[WWW.P65WARNINGS.CA.GOV](http://WWW.P65WARNINGS.CA.GOV)



Testing is performed with water specific gravity of 1.0 @ 68°F (20°C), other fluids may vary performance

**Submersible Fountain Pumps**



MODEL NO	PART NO	HP	VOLT/PH	Hz	RPM (Nom)	NEMA START CODE	FULL LOAD AMPS	LOCKED ROTOR AMPS	CORD SIZE	CORD TYPE	CORD O.D inch (mm)
SF411	109972	0.4	115/1	60	1750	C	12.0	19.0	14/3	SJTOW	0.375 (9.5)

**IMPORTANT !**

- 1.) **DO NOT USE TO PUMP FLAMMABLE LIQUIDS.**
- 2.) INSTALLATIONS SUCH AS DECORATIVE FOUNTAINS OR WATER FEATURES PROVIDED FOR VISUAL ENJOYMENT MUST BE INSTALLED IN ACCORDANCE WITH THE NATIONAL ELECTRIC CODE ANSI/NFPA 70 AND/OR THE AUTHORITY HAVING JURISDICTION. THIS PUMP IS NOT INTENDED FOR USE IN SWIMMING POOLS, RECREATIONAL WATER PARKS, OR INSTALLATIONS IN WHICH HUMAN CONTACT WITH PUMPED MEDIA IS A COMMON OCCURRENCE.