

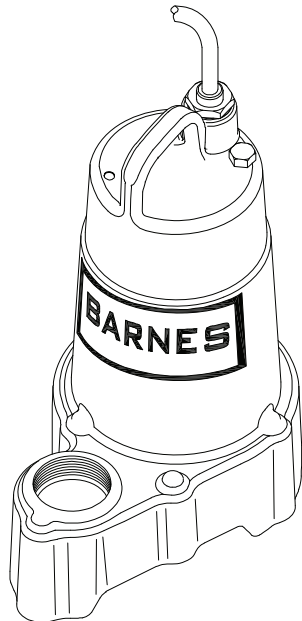
Series SP33HTX

1/2" Spherical Solids Handling, Sump/Effluent
Manual, High Temperature

BARNES®

www.cranepumps.com

Submersible Effluent Pumps



Specifications:

DISCHARGE	1½" NPT, Female, Vertical
LIQUID TEMPERATURE	185°F (85°C) Continuous, Fully Submerged
MOTOR HOUSING	Cast Iron
PUMP STRAINER	Stainless
IMPELLER: <i>Design</i>	10 Vane vortex, with pump out vanes on back side. Balanced, ISO G6.3
<i>Material</i>	Cast Iron
SHAFT	Stainless Steel
O-RINGS	Buna-N
HARDWARE	300 Series Stainless Steel
PAINT	Air Dry Enamel
SEAL: <i>Design</i>	Single Mechanical, Type 21
<i>Material</i>	Carbon/Ceramic/Buna-N
	Hardware -300 Series Stainless
CORD ENTRY	20 ft. (6m) Cord with plug and Pressure Grommet for sealing and strain relief
UPPER BEARING.....	Single Row, Ball, Oil Lubricated
LOWER BEARING.....	Single Row, Ball, Oil Lubricated
MOTOR: <i>Design</i>	Oil Filled
<i>Insulation</i>	Class B
SINGLE PHASE.....	Permanent Split Capacitor (PSC). Includes thermal overload protection in motor
MINIMUM SUMP DIA:	
SP33HT	12" (305mm)

Series: SP33HTX 1/3HP, 3450RPM, 60Hz

DESCRIPTION:

PUMP IS DESIGNED FOR HANDLING SEWAGE EFFLUENT IN **HIGH TEMPERATURE** SEPTIC TANK/EFFLUENT APPLICATIONS.



WARNING:
CANCER AND REPRODUCTIVE HARM -
WWW.P65WARNINGS.CA.GOV



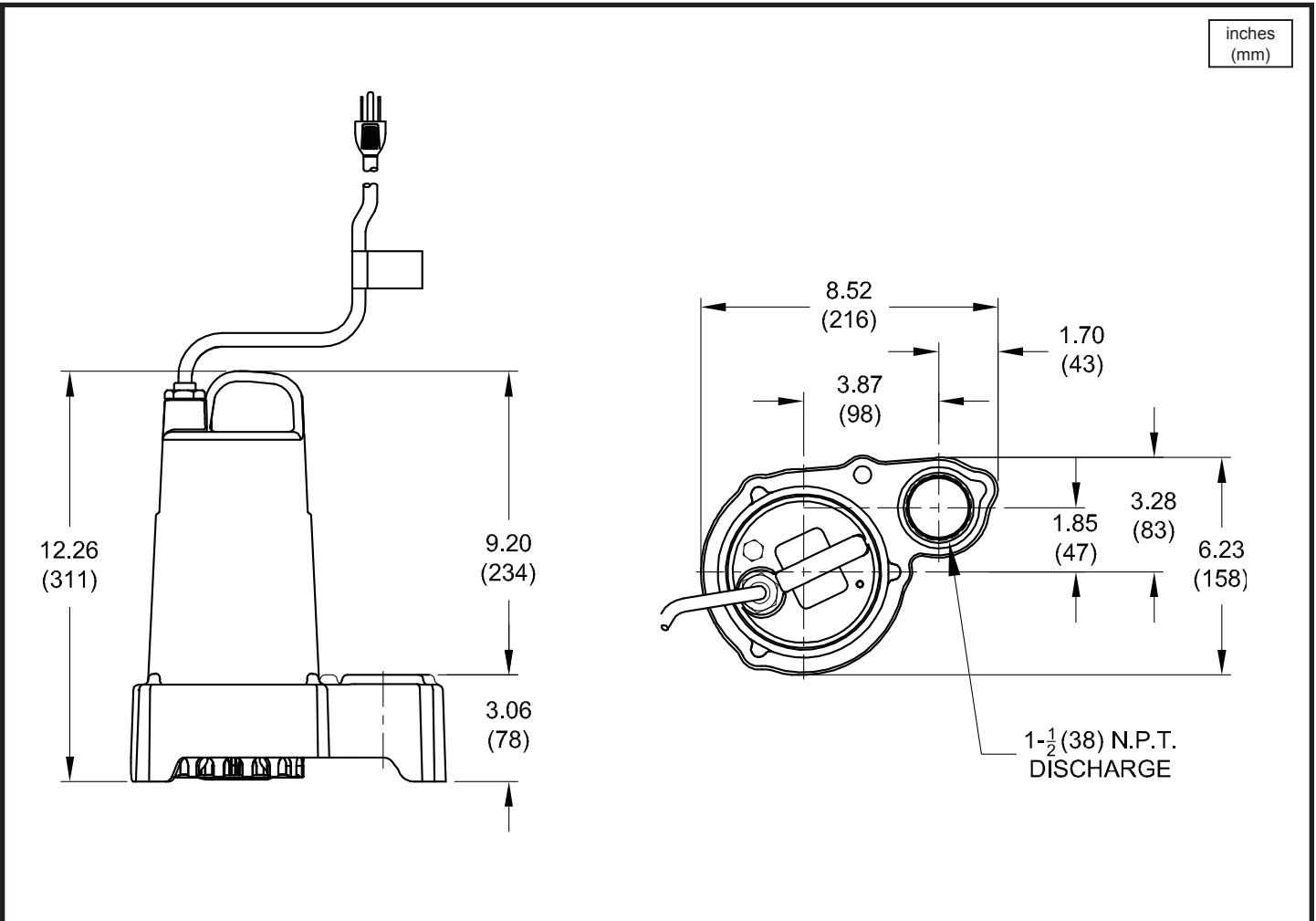
SECTION 3A
PAGE 46
DATE 12/18

CRANE
A Crane Co. Company

PUMPS & SYSTEMS

USA: (937) 778-8947 • Canada: (905) 457-6223 • International: (937) 615-3598

Submersible Effluent Pumps



MODEL NO	PART NO	HP	VOLT/PH	Hz	RPM (Nom)	NEMA START CODE	FULL LOAD AMPS	CORD LENGTH	CORD SIZE	CORD TYPE
SP33HTX	113667	1/3	120/1	60	3450	B	4.1	20 ft. (6m)	18/3	SJTOW

IMPORTANT !

- 1.) PUMP MAY BE OPERATED "DRY" FOR EXTENDED PERIODS WITHOUT DAMAGE TO MOTOR AND/OR SEALS.
- 2.) INSTALLATIONS SUCH AS DECORATIVE FOUNTAINS OR WATER FEATURES PROVIDED FOR VISUAL ENJOYMENT MUST BE INSTALLED IN ACCORDANCE WITH THE NATIONAL ELECTRIC CODE ANSI/NFPA 70 AND/OR THE AUTHORITY HAVING JURISDICTION. THIS PUMP IS NOT INTENDED FOR USE IN SWIMMING POOLS, RECREATIONAL WATER PARKS, OR INSTALLATIONS IN WHICH HUMAN CONTACT WITH PUMPED MEDIA IS A COMMON OCCURRENCE.
- 3.) MUST USE A **HIGH TEMPERATURE** WIDE ANGLE LEVEL CONTROL IN HIGH TEMPERATURE APPLICATIONS.

Series SP33HTX

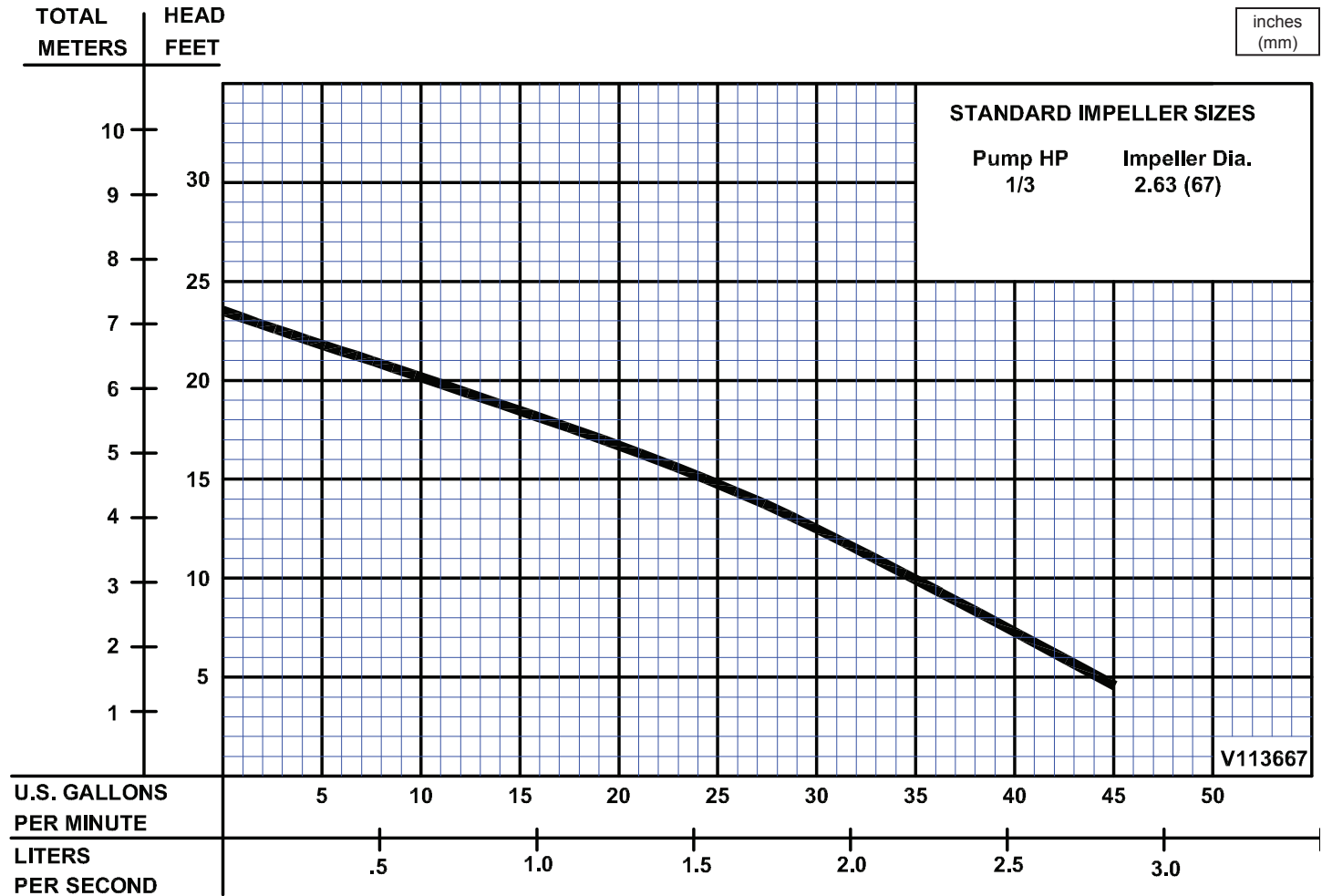
Performance Curve

1/3HP, 3450RPM, 60Hz, High Temperature

BARNES®

www.cranepumps.com

Submersible Effluent Pumps



Testing is performed with water, specific gravity 1.0 @ 68° F @ (20°C), other fluids may vary performance

SECTION 3A
PAGE 48
DATE 6/04

CRANE®

A Crane Co. Company

PUMPS & SYSTEMS

USA: (937) 778-8947 • Canada: (905) 457-6223 • International: (937) 615-3598