

NOTE: ALL DIMENSIONS ARE IN INCHES.

MATERIALS OF CONSTRUCTION:

BASE ELBOW: CAST DUCTILE IRON

LIFT-OUT FLANGE: CAST DUCTILE IRON

PUMP ADAPTER : 304 SST

LOWER GUIDE BRACKET: 304 SST

ALL FASTENERS ARE 304 SERIES SST

USEABLE GUIDE RAIL SIZES:  $\frac{3}{4}$ ", 1",  $1\frac{1}{4}$ "

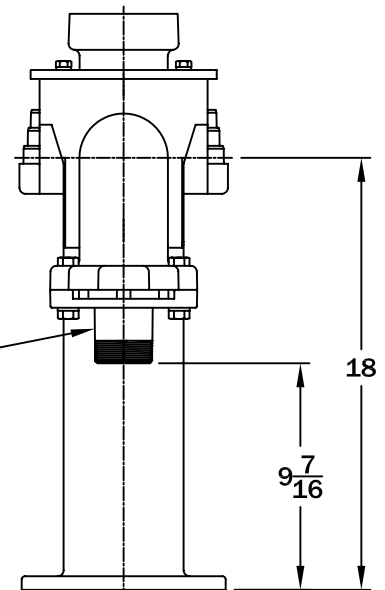
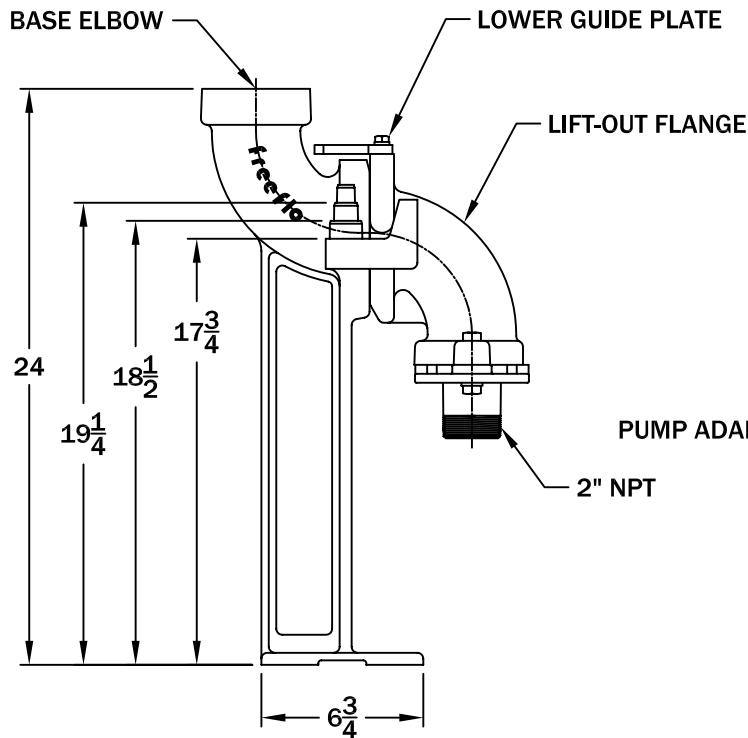
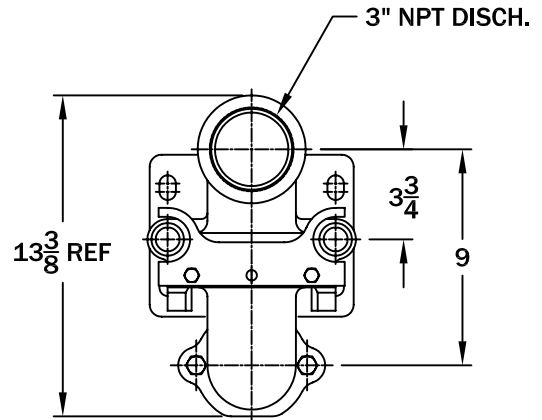
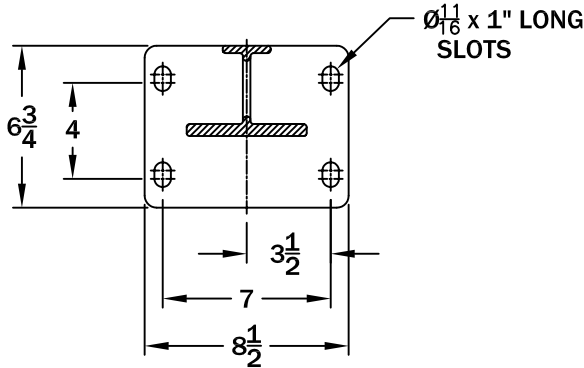
SPHERICAL SOLIDS SIZE: 2" Diameter.

MAXIMUM WEIGHT ALLOWANCE: 400lbs

BERS-0320V

PAGE  
1

MOUNTING DIMENSIONS



ALL INFORMATION CONTAINED IN THIS DRAWING IS CONFIDENTIAL AND PROPRIETARY TO CONERY MFG, INC.



CHANGES	TOLERANCES	DRAWN BY	DATE
F	DECIMALS	D. MIDDLETON	07/15/04
E	.XXX = ±.005	MATERIAL SPECIFICATION:  AS NOTED	
D	.XX = ±.010		
C	FRACTIONAL		
B	X/X = ±.1/64		
A	ANGLES X' = ±1/2'		

SPECIFICATION SHEET DIMENSIONAL DATA	
SCALE:	PART NO.
1/8	3" LIFT OUT DIM