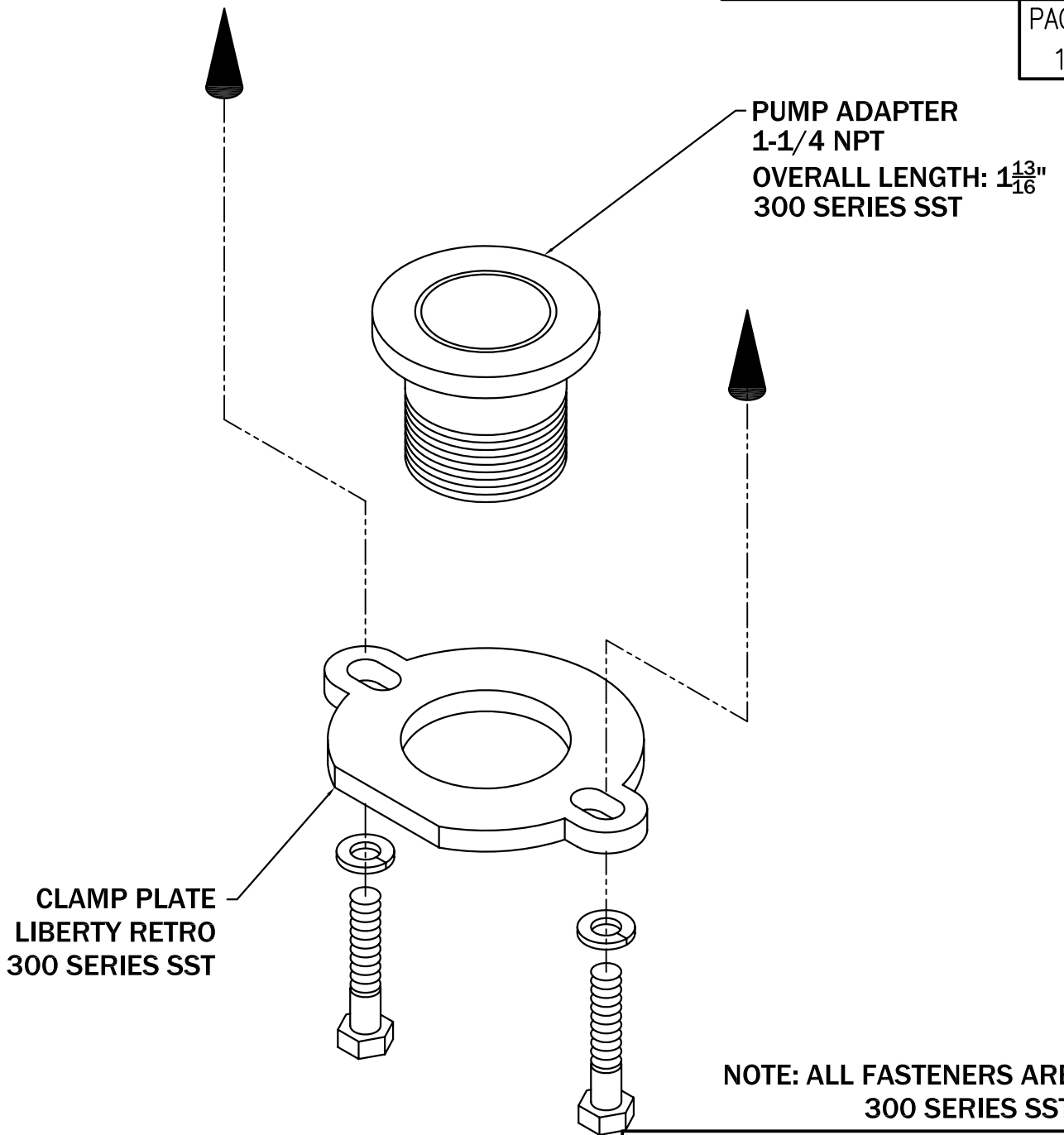


PUMP ADAPTER

PAGE
1



ALL INFORMATION CONTAINED IN THIS DRAWING IS
CONFIDENTIAL AND PROPRIETARY TO CONERY MFG, INC.



CHANGES	TOLERANCES	DRAWN BY	DATE	SPECIFICATION SHEET LIBERTY RETRO – SRA	
F	DECIMALS .XXX = ±.005 .XX = ±.010 FRACTIONAL X/X = ±.1/64 ANGLES X° = ±1/2°	D. MIDDLETON	09/28/12	SCALE:	PART NO.
E		MATERIAL SPECIFICATION: AS NOTED		1/2	PUMP ADAPTER
D					
C					
B					
A					