



CS 2004E™

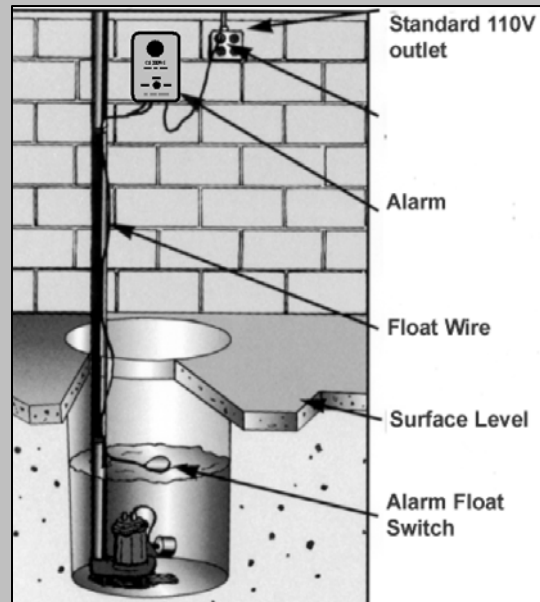
By CSI Controls

NEMA 4X Alarm • Installation Instructions

 WARNING	ELECTRICAL SHOCK HAZARD Disconnect power before installing or servicing this product. A qualified service person must install and service this product according to applicable electrical and plumbing codes.	 WARNING	EXPLOSION OR FIRE HAZARD Do not use this product with flammable liquids. Do not install in hazardous locations as defined by National Electrical Code, ANSI/NFPA 70.
Failure to follow these precautions could result in serious injury or death. Replace product immediately if switch cable becomes damaged or severed. Keep these instructions with warranty after installation. This product must be installed in accordance with National Electric Code, ANSI/NFPA 70 so as to prevent moisture from entering or accumulating within boxes, conduit bodies, fittings, float housing, or cable.			

Alarm and Float Installation

1. Decide mounting location.
2. Install the unit using the built-in mounting feet.
3. Hook the 120 VAC plug into a 120 VAC receptacle on a separate branch circuit from the one used for the pump to ensure proper notification.
4. Switch the toggle switch to the "Normal" position. Now manually test the alarm by tilting the float switch up until you hear the alarm notification and you see the alarm light turn on. Mount the float switch using a proper float mounting clamp or cord weight.
5. Periodically test unit by moving the toggle switch to the "Test" position.
6. The audible alarm can be silenced by moving the toggle switch to the "Silence" position. Make sure the toggle switch is typically left in the "Normal" position for proper alarm notification.

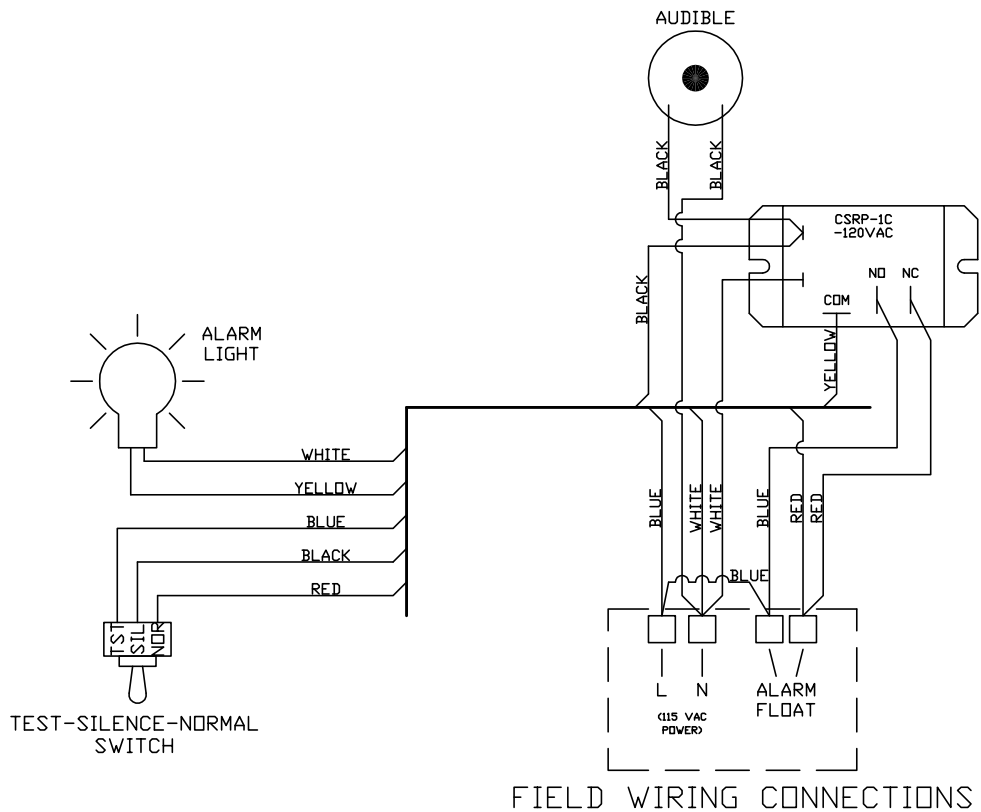


Typical Installation

CSI controls™

REV.	BY	DATE	DETAILS

NOTES:
 - ALL WIRES, UNLESS SPECIFIED OTHERWISE, ARE TO BE 16 AWG.



THIS DRAWING IS THE PROPERTY OF CSI CONTROLS AND IT OR THE TECHNOLOGY CONTAINED HEREIN MAY NOT BE REPRODUCED WITHOUT THE EXPRESSED WRITTEN PERMISSION OF CSI CONTROLS.



WIRING DIAGRAM FOR
 OUTDOOR 2004 ECONOMY
 ALARM CONTROLLER

DRWN.	DATE	SCALE	N/A
ARW	2/21/05		

DRWG. NO.
 CS-2004-E