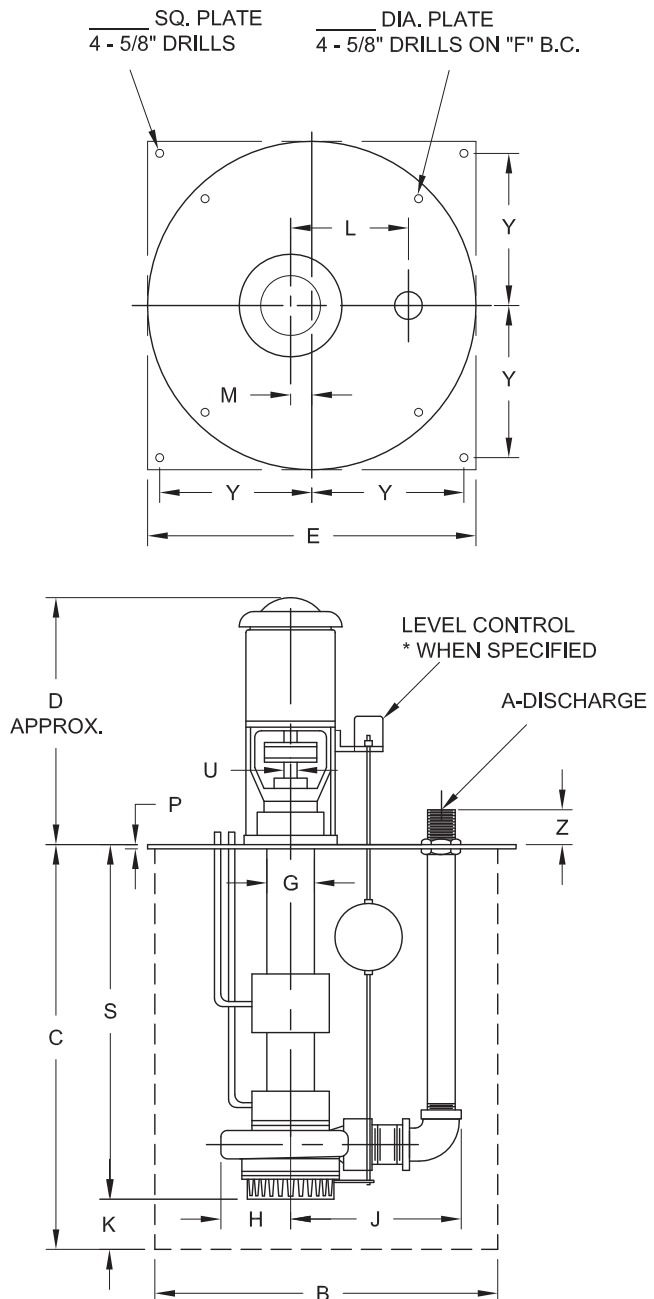


Large Sump or Drainage Pumps

FRAME	56C	143TC	145TC	182TC	184TC	213TC	215TC	254TC	256TC	284TC	286TC	324TC
D	23 ⁷ / ₈	22 ¹ / ₂	23 ¹ / ₂	25 ⁵ / ₈	26 ⁷ / ₈	27 ¹ / ₁₆	29 ¹ / ₁₆	31 ¹ / ₁₆	33 ¹ / ₁₆	36 ¹³ / ₁₆	38 ⁵ / ₁₆	39 ³ / ₈
FRAME	326TC	364TSC	365TSC	404TSC								
D	40 ⁷ / ₈	41 ⁵ / ₈	42 ³ / ₈	43 ³ / ₈								

FIG. SIZE MAX. SOLIDS	A	B	C	E	F	G	H	J	K	L	M	P	Y	Z	U
4501-1 3/8 Solids	1 1/2	24	2 FT. TO 20 FT. IN 6 IN. MULTIPLES	28	26	3	4	8 5/8	6 3/4	7 1/8	4	3/8	13	3 3/8	1 1/2
	2	24		28	26	3	4 1/4	10 1/2	6 3/4	8 3/4	4	3/8	13	3 3/8	
4501-1 1/2 1 1/16 Solids	2 1/2	24		28	26	3	4 1/4	12	6 3/4	9 3/4	4	3/8	13	3 3/4	
	3	24		28	26	3	5 1/2	13	4 3/4	10 3/8	4	3/8	13	3 3/4	
4501-2 1/2 1 1/16 Solids	2 1/2	24		28	26	3	5 1/2	14	4 3/4	11 1/4	4	3/8	13	3 3/4	
	3	24		28	26	3	5 1/2	15 3/4	4 3/4	13 1/4	4	3/8	13	4 1/4	
4511-1 1/2 S 5/16 Solids	1 1/2	24		28	26	3	5 1/2	10 3/4	4 3/4	8 3/4	4	3/8	13	3 3/8	
	2	24		28	26	3	5 1/2	11 1/4	4 3/4	9 3/4	4	3/8	13	3 3/8	
4511-1 1/2 S 7/16 Solids	2	24		28	26	3	5 1/2	11 1/4	4 3/4	9 3/4	4	3/8	13	3 3/8	
	2 1/2	24		28	26	3	5 1/2	12 3/4	4 3/4	10	4	3/8	13	3 3/4	
4511-1 1/2 M 7/16 Solids	1 1/2	24		28	26	3	6 1/4	11 1/4	6 1/4	10 3/4	4	3/8	13	3 3/8	
	2	24		28	26	3	6 1/4	12 1/4	6 1/4	10 1/2	4	3/8	13	3 3/8	
4511-1 1/2 M 7/16 Solids	2 1/2	24		28	26	3	6 1/4	13 3/4	6 1/4	11 1/4	4	3/8	13	3 3/4	
	3	24		28	26	3	6 1/4	15 1/4	6 1/4	12 1/4	4	3/8	13	4 1/2	
4511-2 S 1 1/16 Solids	2	24		28	26	3	5 1/2	11 1/4	4 1/2	10	4	3/8	13	3 3/4	
	2 1/2	24		28	26	3	5 1/2	13 3/4	4 1/2	10 3/4	4	3/8	13	3 3/4	
4511-2 S 1 1/16 Solids	3	24		28	26	3	5 1/2	13 3/4	4 1/2	11 1/4	4	3/8	13	3 3/8	
	2	24		28	26	3	6 1/4	13	5 1/4	11 1/4	4	3/8	13	3 3/4	
4511-2 M 1 1/16 Solids	2 1/2	24		28	26	3	6 1/4	14 1/2	5 1/4	11 3/4	4	3/8	13	3 3/4	
	3	24		28	26	3	6 1/4	15	5 1/4	12 1/4	4	3/8	13	3 3/8	
4511-2 M 1 1/16 Solids	4	24		28	26	3	6 1/4	16 1/4	5 1/4	14 1/4	5	3/8	13	4 3/4	
	3	24		28	26	3	6	15	3 3/4	12 1/4	4	3/8	13	5	
4511-3 S 1 3/16 Solids	3	24		28	26	3	6	15 3/4	3 3/4	12 1/4	4	3/8	13	4 3/8	
	4	24		28	26	3	6	15 3/4	3 3/4	12 1/4	4	3/8	13	4 3/8	
4511-3 MD 1 3/16 Solids	3	30	34	32	3	7 1/4	16 1/4	4 3/4	13 1/2	6	3/8	16	5		
	4	30	34	32	3	7 1/4	16 3/4	4 3/4	13 1/2	6	3/8	16	4 3/4		
4511-4 S 1 5/16 Solids	4	30	34	32	3	7	17	3 3/4	13 3/8	6	3/8	16	5 1/4		
	5	30	34	32	3	7	17 3/4	3 3/4	13 3/8	6	3/8	16	5 1/4		
4511-4 S 1 5/16 Solids	6	30	34	32	3	7	18 1/4	3 3/4	13 3/8	6	3/8	16	5 3/4		
	1 1/2	24	28	26	4	7 3/4	13 3/4	7 3/4	11 1/4	4	3/8	13	3 3/8		
4521-1 1/2 L 7/16 Solids	2	24	28	26	4	7 3/4	13 3/4	7 3/4	12	4	3/8	13	3 3/8		
	2 1/2	24	28	26	4	7 3/4	15 1/4	7 3/4	12 3/4	4	3/8	13	3 3/4		
4521-4 MD 1 3/16 Solids	3	30	34	32	4	7 3/4	16 3/4	7 3/4	13 3/8	6	3/8	16	4 1/2		
	4	30	34	32	4	7 1/2	19	4	15 3/8	6	3/8	16	5 1/4		
4521-5 MD 1 1/2 Solids	5	36	40	38	4	8 3/4	19 3/4	3 3/4	15 3/4	6	1/2	19	5 3/8		
	6	36	40	38	4	8 3/4	20 3/4	3 3/4	15 3/4	6	1/2	19	5 1/2		
4521-5 MSD 1 3/16 Solids	5	36	40	38	4	8 3/4	19 3/4	3 3/4	15 3/4	6	1/2	19	5 3/8		
	6	36	40	38	4	8 3/4	20 3/4	3 3/4	15 3/4	6	1/2	19	5 1/2		
4521-6 MD & 6MLD 1 1/2 Solids 6MD	6	36	40	38	4	9 1/4	20 3/4	3 3/4	16 1/4	6	1/2	19	5 1/2		
	1 1/16 Solids 6MLD	8	36	40	38	4	9 1/4	22 3/4	3 3/4	17	6	1/2	19	6 1/8	



1" through 2 1/2" discharge pipe furnished with pipe coupling,
3" and larger are furnished with a 125# companion flange.

Customer				Shop Order No.			Date:		By:	
Pump Data	Fig. No.	Size	Curve No.	GPM	Head	Sp. Gr.	Temp.	Rotation	Packing/Seal	
Motor Data	MFGR	Hp	RPM	Phase-Cycle Voltage		Frame	Enclosure	Insulation	Furnished by	Mounted

All Sizes - Figs. 4501, 4511 & 4521

Duplex Units
Bulletin 4500

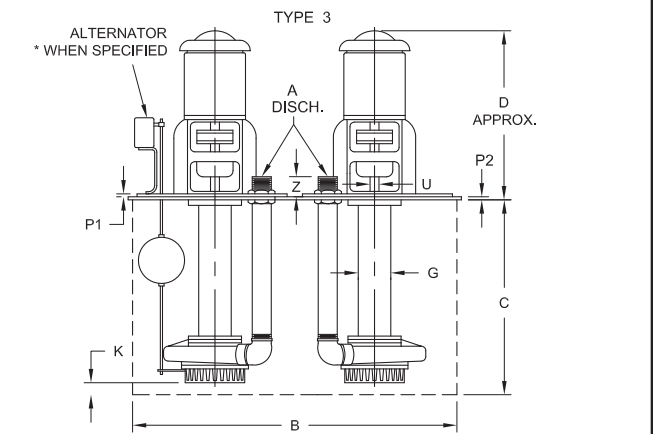
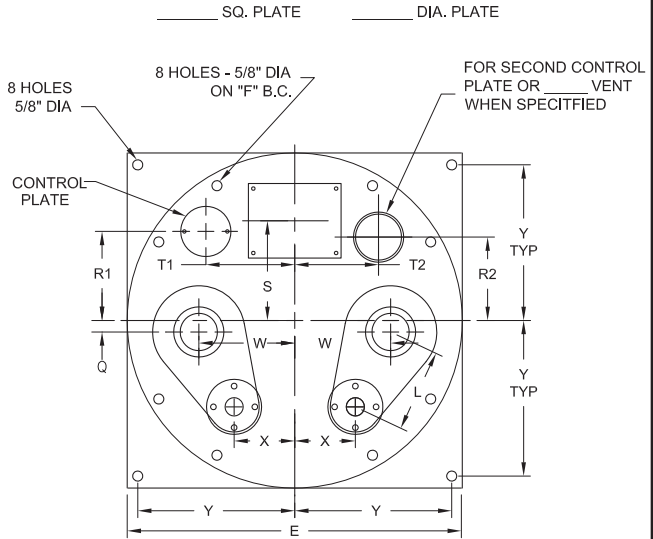
DEMING®

www.cranepumps.com

Large Sump or Drainage Pumps

FRAME	56C	143TC	145TC	182TC	184TC	213TC	215TC	254TC	256TC	284TC	286TC	324TC
D	24 ³ / ₈	23	24	26 ³ / ₈	27 ³ / ₈	28 ¹ / ₁₆	29 ⁹ / ₁₆	31 ¹³ / ₁₆	33 ⁹ / ₁₆	37 ⁹ / ₁₆	38 ³ / ₁₆	39 ⁷ / ₈
FRAME	326TC	364TSC	365TSC	404TSC								
D	41 ³ / ₈	41 ⁷ / ₈	42 ⁷ / ₈	44 ³ / ₈								

FIG. SIZE MAX. SOLIDS	TYPE NO	A	B	C	E	F	G	K	L	P	Q	R	S	T	W	X	Y	Z	U	
4501-1 3/8 Solids	3	1 1/2	44	2 FT. TO 20 FT. IN 6 IN. MULTIPLES	48	46	3	7 1/8	7 1/8	1/2	5	8 1/2	13	14 1/2	10	7 1/2	23	3 3/8		
	3	2	44		48	46	3	6 3/8	8 3/8	1/2	5	8 1/2	13	14 1/2	10	7	23	3 3/8		
4501-1 1/2 1 1/8 Solids	3	2 1/2	44		48	46	3	6 3/8	9 3/8	1/2	5	8 1/2	13	14 1/2	10	6 3/4	23	3 3/8		
	3	3	48		54	51	3	5 1/4	10 3/4	1/2	2 1/2	13	16	14 1/2	12	9 1/4	25 1/2	3 3/8		
4501-2 1/2 1 1/4 Solids	3	2 1/2	48		54	51	3	5 1/4	11 1/4	1/2	2 1/2	13	16	14 1/2	12	9	25 1/2	3 3/8		
	3	3	48		54	51	3	5 1/4	13 1/4	1/2	2 1/2	13	16	14 1/2	12	8 1/2	25 1/2	4 1/4		
4511-1 1/4 S 5/8 Solids	3	1 1/2	48		54	51	3	5 1/4	8 3/8	1/2	2 1/2	13	16	14 1/2	12	9 3/8	25 1/2	3 3/8		
	3	2	48		54	51	3	5 1/4	9 3/8	1/2	2 1/2	13	16	14 1/2	12	9 1/2	25 1/2	3 3/8		
4511-1 1/2 S 7/8 Solids	3	2	48		54	51	3	5 1/4	9 3/8	1/2	2 1/2	13	16	14 1/2	12	9 1/2	25 1/2	3 3/8		
	3	2 1/2	48		54	51	3	5 1/4	10 3/8	1/2	2 1/2	13	16	14 1/2	12	9 1/4	25 1/2	3 3/8		
4511-1 1/2 M 7/8 Solids	3	1 1/2	48		54	51	3	6 3/8	10 3/8	1/2	2 1/2	13	16	14 1/2	12	9 1/4	25 1/2	3 3/8		
	3	2	48		54	51	3	6 3/8	11 3/8	1/2	2 1/2	13	16	14 1/2	12	9	25 1/2	3 3/8		
4511-2 S 1 1/8 Solids	3	2	48		54	51	3	6 3/8	12 3/8	1/2	2 1/2	13	16	14 1/2	12	9 3/8	25 1/2	4 1/4		
	3	2 1/2	48		54	51	3	6 3/8	10 3/4	1/2	2 1/2	13	16	14 1/2	12	9 3/8	25 1/2	3 3/8		
4511-2 M 1 1/8 Solids	3	2 1/2	48		54	51	3	6 3/8	10 3/4	1/2	2 1/2	13	16	14 1/2	12	9 3/8	25 1/2	3 3/8		
	3	3	48		54	51	3	6 3/8	11 3/4	1/2	2 1/2	13	16	14 1/2	12	9	25 1/2	3 3/8		
4511-2 M 1 1/8 Solids	3	2 1/2	48		54	51	3	6 3/8	12 3/4	1/2	2 1/2	13	16	14 1/2	12	9 3/8	25 1/2	4 1/4		
	3	3	48		54	51	3	6 3/8	10 3/4	1/2	2 1/2	13	16	14 1/2	12	9 3/8	25 1/2	3 3/8		
4511-3 S 1 3/8 Solids	3	3	48		54	51	3	5	10 3/4	1/2	2 1/2	13	16	14 1/2	12	9 3/8	25 1/2	3 3/8		
	3	2 1/2	48		54	51	3	5	11 3/4	1/2	2 1/2	13	16	14 1/2	12	9	25 1/2	3 3/8		
4511-3 M 1 3/8 Solids	3	2 1/2	48		54	51	3	6 3/8	11 3/4	1/2	2 1/2	13	16	14 1/2	12	9	25 1/2	3 3/8		
	3	3	48		54	51	3	6 3/8	12 3/4	1/2	2 1/2	13	16	14 1/2	12	9 3/8	25 1/2	4 1/4		
4511-3 S 1 3/8 Solids	3	3	48		54	51	3	4 3/8	12 3/4	1/2	2 1/2	13	16	14 1/2	12	8 3/4	25 1/2	5		
	3	4	48		54	51	3	4 3/8	12 3/4	1/2	2 1/2	13	16	14 1/2	12	8 3/4	25 1/2	4 3/4		
4511-3 MD 1 3/8 Solids	3	3	54	60	57	3	5 1/4	13 3/4	1/2	3	16	19	15	15	10 1/4	28 1/2	5			
	3	4	54	60	57	3	5 1/4	13 3/4	1/2	3	16	19	15	15	10 1/4	28 1/2	4 3/4			
4511-4 S 1 5/8 Solids	3	4	54	60	57	3	3 3/8	13 3/8	1/2	3	16	19	15	15	10 3/8	28 1/2	5 1/4			
	3	5	54	60	57	3	3 3/8	13 3/8	1/2	3	16	19	15	15	10 3/8	28 1/2	5 1/4			
4511-4 S 1 5/8 Solids	3	6	54	60	57	3	3 3/8	13 3/8	1/2	3	16	19	15	15	10 3/8	28 1/2	5 1/4			
	3	5	54	60	57	3	3 3/8	13 3/8	1/2	3	16	19	15	15	10 3/8	28 1/2	5 1/4			
4521-1 1/4 L 7/8 Solids	3	1 1/2	48	54	51	4	8 3/8	11 3/4	1/2	2 1/2	13	16	14 1/2	12	8 3/8	25 1/2	3 3/8			
	3	2	48	54	51	4	8 3/8	12 3/4	1/2	2 1/2	13	16	14 1/2	12	8 3/4	25 1/2	3 3/8			
4521-4 MD 1 1/8 Solids	3	3	48	54	51	4	8 3/8	12 3/4	1/2	2 1/2	13	16	14 1/2	12	8 3/4	25 1/2	3 3/8			
	3	4	54	54	51	4	8 3/8	13 3/4	1/2	2 1/2	13	16	14 1/2	12	8 3/4	25 1/2	4 1/4			
4521-5 MD 1 1/4 Solids	3	5	60	66	63	4	4 3/8	15 3/4	1/2	2	18	21 1/2	15	15	10	31 1/2	5 1/4			
	3	6	60	66	63	4	4 3/8	15 3/4	1/2	2	18	21 1/2	15	15	10	31 1/2	5 1/4			
4521-5 MSD 1 1/8 Solids	3	5	60	66	63	4	4 3/8	15 3/4	1/2	2	18	21 1/2	15	15	10	31 1/2	5 1/4			
	3	6	60	66	63	4	4 3/8	15 3/4	1/2	2	18	21 1/2	15	15	10	31 1/2	5 1/4			
4521-6 MD & 6MLD 1 3/8 Solids 6MD	3	6	60	66	63	4	4 3/8	16 3/4	1/2	2	18	21 1/2	15	15	9 3/4	31 1/2	5 1/4			
	3	8	60	66	63	4	4 3/8	17 3/4	1/2	2	18	21 1/2	15	15	9 3/4	31 1/2	6			



1" through 2 1/2" discharge pipe furnished with pipe coupling,
3" and larger are furnished with a 125# companion flange.

Customer				Shop Order No.			Date:		By:	
Pump Data	Fig. No.	Size	Curve No.	GPM	Head	Sp. Gr.	Temp.	Rotation	Packing/Seal	
Motor Data	MFGR	Hp	RPM	Phase-Cycle Voltage		Frame	Enclosure	Insulation	Furnished by	Mounted

SECTION 40-L
PAGE 8
DATE 5/19



PUMPS & SYSTEMS

A Crane Co. Company

USA: (937) 778-8947 • Canada: (905) 457-6223 • International: (937) 615-3598