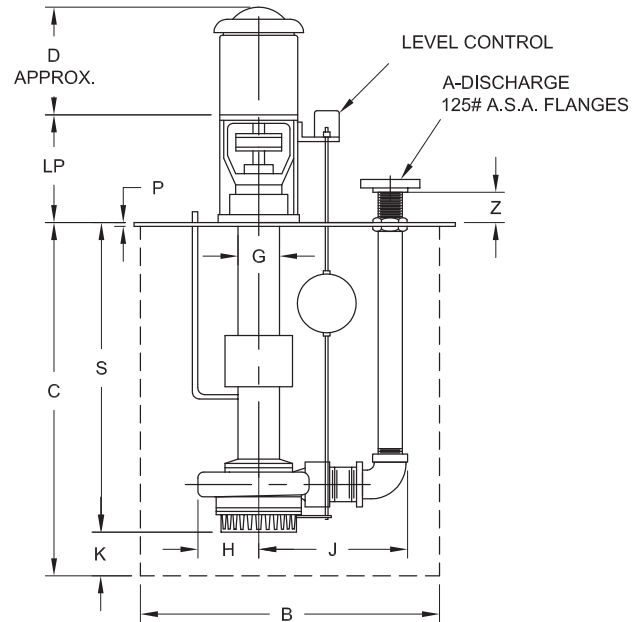
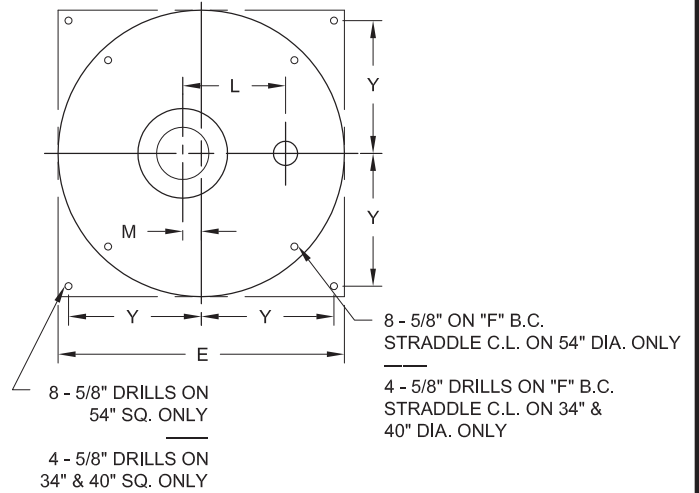


### Large Sump or Drainage Pumps

FRAME	184	213	215	254	256	284	286	324	326	364	365	404	405	444	445
TYPE	TC	TC	TC	TC	TC	TC	TC	TSC	TSC	TSC	TSC	TSC	TSC	TSC	TSC
D	13¼	13½	15¾	18½	20½	20	21¾	23¼	25	25¼	24¾	28	29¾	32¾	35
LP	13 <sup>5</sup> / <sub>16</sub>			17 <sup>1</sup> / <sub>16</sub>			17 <sup>13</sup> / <sub>16</sub>								

SIZE FIG. NO.	A	B	C	E	F	G	H	J	K	L	M	P	U	Y	Z		
4 x 4 x 12 4565	4	36	2 FT. TO 20 FT. IN 6 IN. MULTIPLES	40	38	4	9	19 <sup>5</sup> / <sub>8</sub>	4	16¼	6	½	1½	19	5¼		
	6							21							6¾		
6 x 4 x 12 4565	4	36		40	38	4	8 <sup>5</sup> / <sub>8</sub>	9 <sup>1</sup> / <sub>8</sub>	19 <sup>5</sup> / <sub>8</sub>	2 <sup>5</sup> / <sub>8</sub>	16¼	6	½	1½	19	5¼	
	6								21							6¾	
6 x 6 x 12 4565	6	36		40	38	4	9½	10	21	1 <sup>1</sup> / <sub>8</sub>	16 <sup>3</sup> / <sub>8</sub>	6	½	1½	19	6 <sup>3</sup> / <sub>8</sub>	
	8								23		7						
8 x 6 x 12 4565	6	36		40	38	4	10	10	21¼	1½	17 <sup>1</sup> / <sub>8</sub>	6½	½	1½	19	6 <sup>3</sup> / <sub>8</sub>	
	8								23¾		7						
4 x 4 x 12 4566	4	36		3 FT. TO 20 FT. IN 6 IN. MULTIPLES	40	38	6	9	19 <sup>5</sup> / <sub>8</sub>	6	16¼	6	½	1 <sup>1</sup> / <sub>16</sub>	19	5¼	
	6								21							6¾	
6 x 4 x 12 4566	4	36			40	38	6	8 <sup>5</sup> / <sub>8</sub>	9 <sup>1</sup> / <sub>8</sub>	19 <sup>5</sup> / <sub>8</sub>	5 <sup>5</sup> / <sub>8</sub>	16¼	6	½	1 <sup>1</sup> / <sub>16</sub>	19	5¼
	6									21							6¾
6 x 6 x 12 4566	6	36	40		38	6	9½	10	21	4 <sup>7</sup> / <sub>8</sub>	16 <sup>3</sup> / <sub>8</sub>	6	½	1 <sup>1</sup> / <sub>16</sub>	19	8¼	
	8								23		6¾						
8 x 6 x 12 4566	6	36	40		38	6	10	10	21¼	3 <sup>3</sup> / <sub>8</sub>	17 <sup>1</sup> / <sub>8</sub>	6½	½	1 <sup>1</sup> / <sub>16</sub>	19	8¼	
	8								23¾		6½						
8 x 8 x 12 4566	8	48	54		51	6	12 <sup>3</sup> / <sub>8</sub>	12 <sup>3</sup> / <sub>8</sub>	26 <sup>3</sup> / <sub>8</sub>	2¼	20½	8	½	1 <sup>1</sup> / <sub>16</sub>	25½	7½	
	10								29		2 <sup>1</sup> / <sub>4</sub>					2 <sup>5</sup> / <sub>8</sub>	
6 x 6 x 12 4568	6	48	54		51	8	9½	10	21	8 <sup>7</sup> / <sub>8</sub>	16 <sup>3</sup> / <sub>8</sub>	6	½	1 <sup>1</sup> / <sub>16</sub>	25½	12	
	8								23		10¼						
8 x 6 x 12 4568	6	48	54	51	8	10	10	21¼	7 <sup>7</sup> / <sub>8</sub>	17 <sup>1</sup> / <sub>8</sub>	6½	½	1 <sup>1</sup> / <sub>16</sub>	25½	12		
	8							23¾		10¼							
8 x 8 x 12 4568	8	48	54	51	8	12 <sup>3</sup> / <sub>8</sub>	12 <sup>3</sup> / <sub>8</sub>	26 <sup>3</sup> / <sub>8</sub>	6¼	20½	8	½	1 <sup>1</sup> / <sub>16</sub>	25½	11½		
	10							29		2 <sup>1</sup> / <sub>4</sub>					6 <sup>3</sup> / <sub>8</sub>		
10x10x12 4568	10	48	54	51	8	12½	29	4	21¼	8	½	1 <sup>1</sup> / <sub>16</sub>	25½	6½			

1" through 2½" discharge pipe furnished with pip coupling.  
3" and larger are furnished with a 125# companion flange.



Customer				Shop Order No.			Date:		By:	
Pump Data	Fig. No.	Size	Curve No.	GPM	Head	Sp. Gr.	Temp.	Rotation	Packing/Seal	
Motor Data	MFGR	Hp	RPM	Phase-Cycle Voltage		Frame	Enclosure	Insulation	Furnished by	Mounted

# All Sizes - Fig. 4560

Duplex Units  
Bulletin 4500

# DEMING®

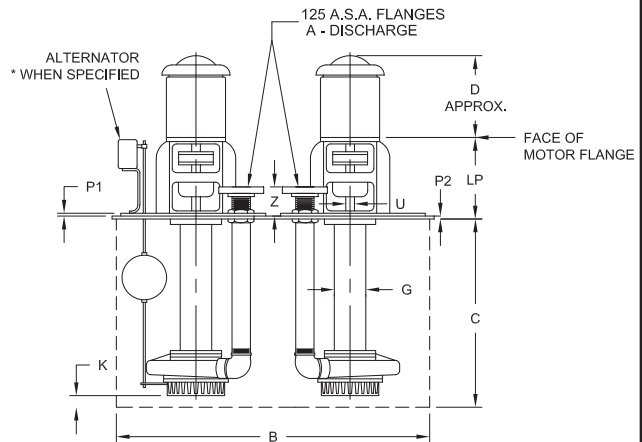
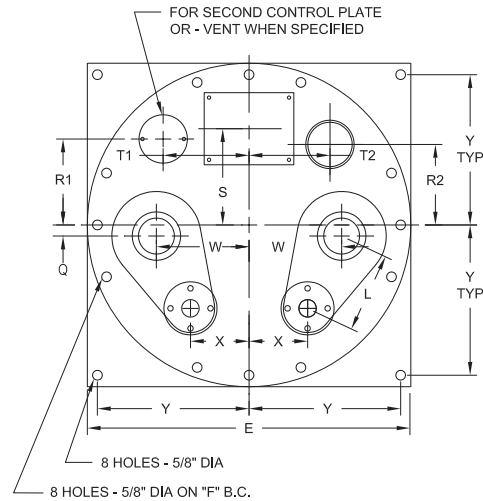
www.cranepumps.com

## Large Sump or Drainage Pumps

FRAME	184	213	215	254	256	284	286	324	326	364	365	404	405	444	445
TYPE	TC	TC	TC	TC	TC	TC	TC	TSC	TSC	TSC	TSC	TSC	TSC	TSC	TSC
D	13¼	13½	15¼	18½	20½	20	21¾	23¼	25	25¼	24¾	28	29¾	32¾	35
LP	13 <sup>5</sup> / <sub>16</sub>					17 <sup>1</sup> / <sub>16</sub>			17 <sup>13</sup> / <sub>16</sub>						

SIZE FIG. NO.	A	B	C	E	F	G	K	L	P	Q	R	S	T	U	W	X	Y	Z	
4 x 4 x 12 4565	4	60	6	66	63	4	4¼	16¼	7/8	½	2	18	21¼	15	1½	15	9¾	31½	5¼
	6																		6¾
6 x 4 x 12 4565	4	60	6	66	63	4	3	16¼	7/8	½	2	18	21½	15	1½	15	9¾	31½	5¼
	6																		6¾
6 x 6 x 12 4565	6	60	8	66	63	4	2¼	16¾	7/8	½	2	18	21½	15	1½	15	9¾	31½	6¾
	8																		7
8 x 6 x 12 4565	6	60	8	66	63	4	1¾	17¾	7/8	½	2	18	21½	15	1½	15	9¾	31½	6¾
	8																		7
4 x 4 x 12 4566	4	60	6	66	63	6	6¼	16¼	7/8	½	2	18	21½	15	1 <sup>13</sup> / <sub>16</sub>	15	9¾	31½	5¼
	6																		6¾
6 x 4 x 12 4566	4	60	6	66	63	6	6	16¼	7/8	½	2	18	21½	15	1 <sup>13</sup> / <sub>16</sub>	15	9¾	31½	5¼
	6																		6¾
6 x 6 x 12 4566	6	60	8	66	63	6	5¼	16¾	7/8	½	2	18	21½	15	1 <sup>13</sup> / <sub>16</sub>	15	9¾	31½	8¼
	8																		6¾
8 x 6 x 12 4566	6	60	8	66	63	6	3¾	17¾	7/8	½	2	18	21½	15	1 <sup>13</sup> / <sub>16</sub>	15	9¾	31½	8¼
	8																		6½
8 x 8 x 12 4566	8	78	10	84	81	6	2¾	20½	1	5/8	--	26	29	15	1 <sup>13</sup> / <sub>16</sub>	22	14¾	40½	7½
	10																		2¾
6 x 6 x 12 4568	6	78	8	84	81	8	5¼	16¾	7/8	5/8	--	26	29	15	1 <sup>13</sup> / <sub>16</sub>	22	14¾	40½	12
	8																		10¼
8 x 6 x 12 4568	6	78	8	84	81	8	7¾	17¾	1	5/8	--	26	29	15	1 <sup>13</sup> / <sub>16</sub>	22	14¾	40½	12
	8																		10¼
8 x 8 x 12 4568	8	78	10	84	81	8	6¾	20½	1	5/8	--	26	29	15	1 <sup>13</sup> / <sub>16</sub>	22	14¾	40½	11½
	10																		6¾
10x10x12 4568	10	78	10	84	81	8	4%	21¼	1	5/8	--	26	29	15	1 <sup>13</sup> / <sub>16</sub>	22	14¾	40½	6½
	10																		6½

1" through 2½" discharge pipe furnished with pip coupling.  
3" and larger are furnished with a 125# companion flange.



Customer				Shop Order No.			Date:		By:	
Pump Data	Fig. No.	Size	Curve No.	GPM	Head	Sp. Gr.	Temp.	Rotation	Packing/Seal	
Motor Data	MFGR	Hp	RPM	Phase-Cycle Voltage		Frame	Enclosure	Insulation	Furnished by	Mounted

SECTION 40-L  
PAGE 10  
DATE 9/15

**CRANE**  
A Crane Co. Company

PUMPS & SYSTEMS

USA: (937) 778-8947 • Canada: (905) 457-6223 • International: (937) 615-3598