

Fig. 5060

Bare Pump
Bullentin 5060A

DEMING®

www.cranepumps.com

Horizontal Split Case Centrifugal Pumps

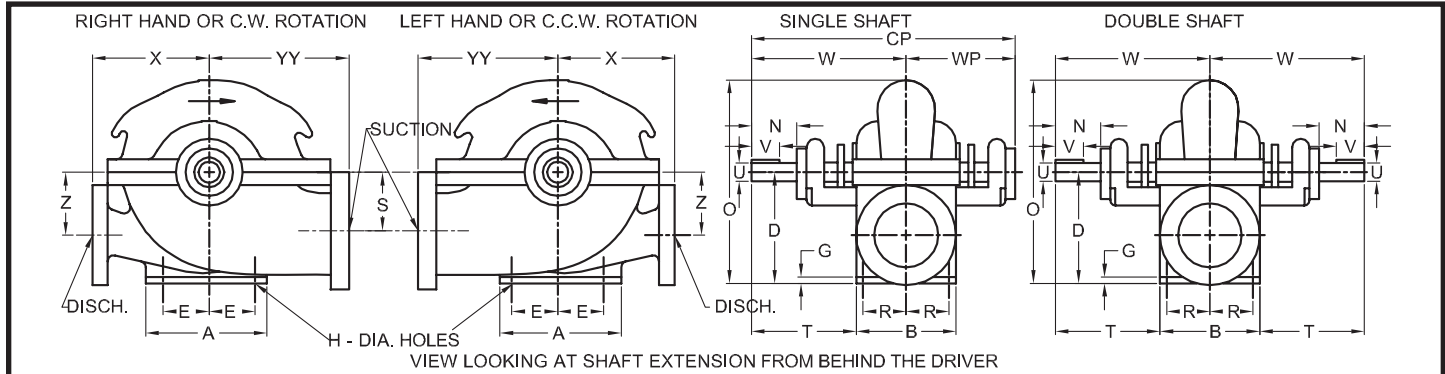


FIG.	SUCT.	DISCH.	MAX. IMP. DIA.	A	B	CP	D	E	G	H	N	O	R	S	T	U	KEY WAY	V	W	WP	X	YY	Z
5061	2	1½	8	7	8	19½	6¼	3	¾	½	2¼	11¼	¾	¾	7	7/8 ∅	3/16 x 3/32	2⅝	11	8½	6½	7	¾
	3**	2	8	7	8	19½	6¼	3	¾	½	2¼	11½	¾	¾	7	7/8 ∅		2⅝	11	8½	6½	7	¾
	3	2	11	7	8	19½	8	3	¾	½	2¼	15¼	¾	4½	7	7/8 ∅		2⅝	11	8½	8	9	4½
	3	2	14	7	8	19½	9	3	¾	½	2¼	17¾	¾	5½	7	7/8 ∅		2⅝	11	8½	10	10	5½
	4+	3	9	7	8	19½	8	3	¾	½	2¼	15	¾	4	7	7/8 ∅		2⅝	11	8½	8	9	4
5062	4+	3+	11	8	9	23¼	9	3⅝	7/8	5/8	2½	16¾	¾	4¾	8½	1⅝	1/4 x 1/8	2⅝	13	10¼	8½	10	4¾
	4	3	14	8	9	23¼	10	3⅝	1	5/8	2½	20½	¾	5½	8½	1⅝		2⅝	13	10¼	11	12	5½
	4	3	17	8	9	23¼	11	3⅝	1	5/8	2½	21¼	¾	6	8½	1⅝		2⅝	13	10¼	12	13	6
	6+	4	9	8	9	23¼	9	3⅝	7/8	5/8	2½	16¾	¾	5¼	8½	1⅝		2⅝	13	10¼	9	10	5¼
	6+	4	12	8	9	23¼	10	3⅝	1	5/8	2½	18⅝	¾	5½	8½	1⅝		2⅝	13	10¼	10	11	5½
	6+	4	14½	8	9	23¼	11	3⅝	1	5/8	2½	22	¾	5½	8½	1⅝		2⅝	13	10¼	12	13	5½
5063	8+	6+	9	8	9	23¼	10	3⅝	7/8	5/8	2½	18½	¾	5½	8½	1⅝	3/8 x 3/16	3⅝	15½	12	13	14	7
	6+	4	17	10	12	27½	12½	4¼	1⅝	¾	3¼	23⅝	5	7	9½	1½		3⅝	15½	12	11	13	6½
	8+	6	12	10	12	27½	12½	4¼	1⅝	¾	3¼	22¼	5	6½	9½	1½		3⅝	15½	12	13	14	6½
	8+	6	14½	10	12	27½	12½	4¼	1⅝	¾	3¼	23¼	5	6½	9½	1½		3⅝	15½	12	14	15	7
	8+	6	17	10	12	27½	13½	4¼	1⅝	¾	3¼	25¼	5	7	9½	1½		3⅝	15½	12	12	15	6¾
	10+	8+	12	10	12	27½	12½	4¼	1	¾	3¼	23	5	6¾	9½	1½		3⅝	15½	12	13	15	7¼
5064	8+	6■	20	12	16	32	14½	5	1¼	7/8	3¾	28	6¾	8¼	10	1⅝	1/2 x 1/4	3⅝	18	14	15	16	8¼
	10+	8+	17	12	16	32	14½	5	1¼	7/8	3¾	26⅞	6¾	7¾	10	1⅝		3⅝	18	14	13	16	7¾
	10+	8■	20	12	16	32	17	5	1¼	7/8	3¾	31	6¾	10	10	1⅝		3⅝	18	14	15	17	10
	12+	10	12	12	16	32	14½	5	1⅝	7/8	3¾	26¼	6¾	7¾	10	1⅝		3⅝	18	14	14	17	7¾
	12●	10	14½	12	16	32	17	5	1¼	7/8	3¾	30¼	6¾	9	10	1⅝		3⅝	18	14	17	18	9
	12	10	17	12	16	32	17	5	1¼	7/8	3¾	30	6¾	9	10	1⅝		3⅝	18	14	17	20	9
	14▲	12	14½	12	16	32	17½	5	1¼	7/8	3¾	31	6¾	10	10	1⅝		3⅝	18	14	17	20	10
5064L	14	12	14⅝	18	18	38¾	26	7¼	1¼	7/8	4½	40⅝	7¼	14	12⅝	1⅝	3¼	21⅝	16¼	22	26	12¾	

(+) TOP 2 BOLT HOLES OF FLANGE ARE TAPPED. (∅) 3/4" ON OUTBOARD END OF DOUBLE EXTENSION SHAFT.
 (▲) TOP 6 BOLT HOLES OF FLANGE ARE TAPPED. (***) SIZE 3x2x8 WITH 250 LB FLANGES, YY DIM. IS 7-3/8", X DIM IS 6-5/8".
 (●) ALL BOLT HOLES ON SUCTION FLANGE ARE TAPPED.
 SUCTION & DISCHARGE 125 LB FLANGES EXCEPT (■) ARE 250 LB FLANGE.
 RIGHT HAND OR CLOCKWISE ROTATION FURNISHED UNLESS OTHERWISE SPECIFIED.

Customer				Shop Order No.			Date:		By:	
Pump Data	Fig. No.	Size	Curve No.	GPM	Head	Sp. Gr.	Temp.	Rotation	Packing/Seal	
Motor Data	MFGR	Hp	RPM	Phase-Cycle Voltage		Frame	Enclosure	Insulation	Furnished by	Mounted

SECTION 29
PAGE 10
DATE 10/13



PUMPS & SYSTEMS