

### Horizontal Split Case Centrifugal Pumps

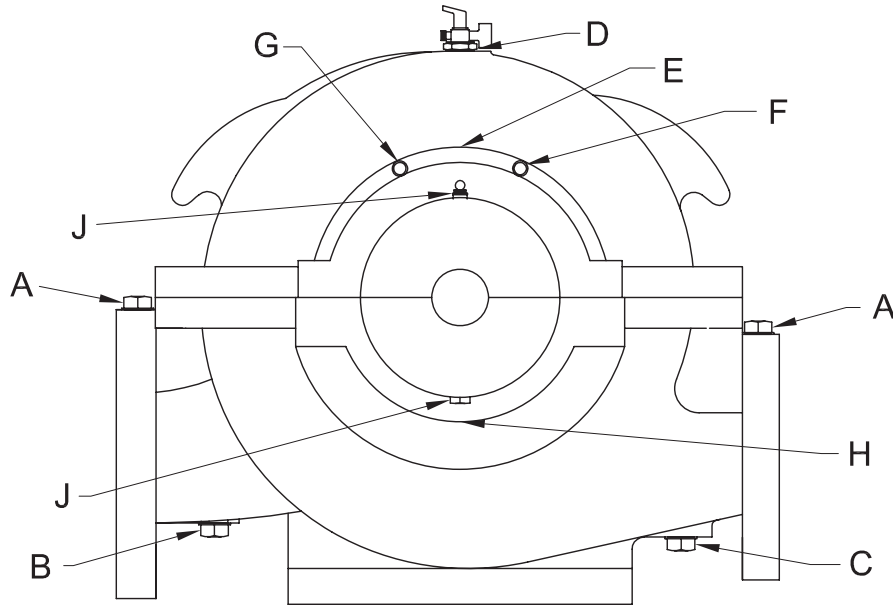


Fig. No.		5061					5062					5063					5064								
ITEM NO.	SUCTION	2	3	3	4	4	4	4	6	6	6	8	6	8	8	8	10	10	8	10	10	12	12	12	14
	DISCHARGE	1½	2	2	3	3	3	3	4	4	4	6	4	6	6	6	8	8	6	8	8	10	10	10	12
	MAX. IMPELLER	8	8	11	14	9	11	14	17	9	12	14½	9	17	12	14½	17	12	14½	20	17	20	12	14½	17
A	GAGE TAP	REG.	1/4	1/4	1/4	1/4	1/4	1/4	1/4	1/4	1/4	1/4	1/4	1/4	1/4	1/4	1/4	1/4	1/4	1/4	1/4	1/4	1/4	1/4	1/4
		MAX.	3/8	3/8	1/4	1/4	3/8	3/8	3/8	3/8	3/8	3/8	3/8	3/8	3/8	3/8	3/8	3/8	3/8	3/8	3/8	3/8	3/8	3/8	3/8
B	SUCTION DRAIN	REG.	1/4	1/4	1/4	1/4	3/8	3/8	3/8	3/8	3/8	1/2	1/2	1/2	1/2	1/2	1/2	1/2	1/2	1/2	1/2	3/4	3/4	3/4	3/4
		MAX.	3/8	3/8	3/8	3/8	3/8	3/8	3/8	3/8	3/8	1/2	1/2	1/2	1/2	1/2	1/2	1/2	1/2	1/2	1/2	3/4	1½	1½	1½
C	DISCHARGE DRAIN	REG.	1/4	1/4	1/4	1/4	3/8	3/8	3/8	3/8	3/8	1/2	1/2	1/2	1/2	1/2	1/2	1/2	1/2	1/2	1/2	3/4	3/4	3/4	3/4
		MAX.	3/8	3/8	3/8	3/8	3/8	3/8	3/8	3/8	3/8	1/2	1/2	1/2	1/2	1/2	1/2	1/2	1/2	1/2	1/2	3/4	1½	1½	1½
D	TOP VOLUTE	REG.	1/4	1/4	1/4	1/4	1/4	1/4	1/4	1/4	1/4	1/4	1/4	1/4	1/4	1/4	1/4	1/4	1	1	1	1	1	1	1
		MAX.	1/2	1/2	1/2	1/2	3/4	3/4	3/4	3/4	3/4	3/4	3/4	1	3/4	1	1	1	1	1	1	1	1	1	1
E	PRIMING TAPS SUCTION BOX	*NOR.	1/2	1/2	1/2	1/2	3/4	3/4	3/4	3/4	3/4	3/4	3/4	3/4	3/4	3/4	3/4	3/4	3/4	3/4	3/4	3/4	3/4	3/4	3/4
		MAX.	3/4	3/4	3/4	3/4	1	1	1	1	1¼	1¼	1¼	1½	1½	1½	1½	1½	1½	1½	1½	1½	1½	1½	1½
F	PACKING BOX BYPASS	EXT.	1/4	1/4	1/4	1/4	1/4	1/4	1/4	1/4	1/4	1/4	1/4	1/4	1/4	1/4	1/4	1/4	1/4	1/4	1/4	1/4	1/4	1/4	1/4
G	DRIP POCKET DRAIN	INT.	1/4	1/4	1/4	1/4	1/4	1/4	1/4	1/4	1/4	1/4	1/4	1/4	1/4	1/4	1/4	1/4	1/4	1/4	1/4	1/4	1/4	1/4	1/4
H	GREASE LUB. BRG. COVER	REG.	3/8	3/8	3/8	3/8	1/2	1/2	1/2	1/2	1/2	3/4	3/4	3/4	3/4	3/4	3/4	3/4	1	1	1	1	1	1	1
J	GREASE LUB. BRG. COVER		1/8	1/8	1/8	1/8	1/8	1/8	1/8	1/8	1/8	1/8	1/8	1/8	1/8	1/8	1/8	1/8	1/8	1/8	1/8	1/8	1/8	1/8	1/8

(\* ) Tapped only to order