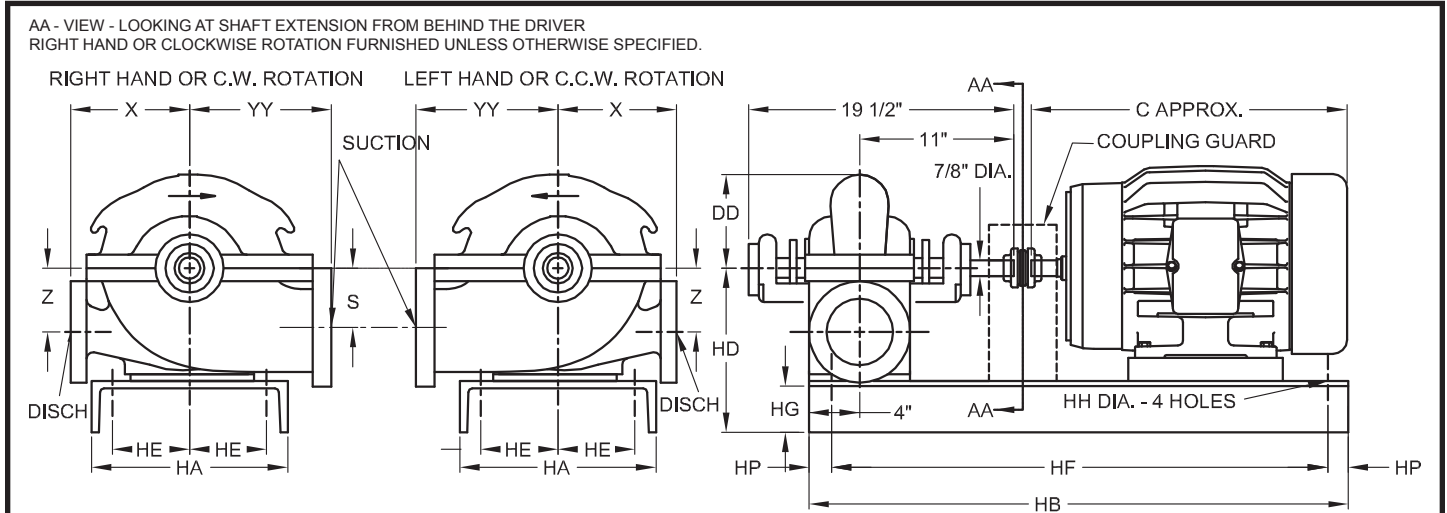


Horizontal Split Case Centrifugal Pumps



RH/Clockwise rotation is furnished unless otherwise specified.

PUMP	SUCT	DISCH	DD	YY	S	X	Z
2 x 1½ x 8	2	1½	5	7	¾	6½	¾
*3 x 2 x 8	3	2	5¼	7	¾	6½	¾
3 x 2 x 11	3	2	7¼	9	½	8	½
3 x 2 x 14	3	2	8¾	10	½	10	½
4 x 3 x 9	4+	3	7	9	4	8	4

SIZE	SUCT & DISCH 125LB ASA FF			SUCT & DISCH 250LB ASA FF			
	DIA.	FLG. #	BOLTS	B.C.	DIA.	FLG. BOLTS	B.C.
1½	5	4	½	¾	6	4	¾
2	6	4	⅝	¾	6	8	⅝
3	7	4	⅝	6	8	8	¾
4	9	8	⅝	7	10	8	¾

(*) SIZE 3 x 2 x 8 WITH 250LB FLANGES YY = 7-3/8", X = 6-5/8"

(+) TOP TWO BOLT HOLES OF FLANGE ARE TAPPED.

BASE DIMENSIONS IN INCHES

FRAME NO	143T	145T	182T	184T	213T	215T	254T	256T	284T	284TS	286T	286TS	324T	324TS	326T	326TS	364T	364TS	365T	365TS
BASE NO.	27501	27501	27502	27502	27502	27503	27504	27504	27504	27504	27505	27504	27507	27507	27507	27507	27507	27507	27507	27507
C	13½	13½	14½	15½	17¾	19¼	22¾	24½	25½	24½	27½	26	28¾	27¼	30¼	28¾	33½	31	34½	32
HA	12	12	12	12	12	12	15	15	15	15	15	15	18	18	18	18	18	18	18	18
HB	28	28	32	32	32	36	40	40	40	40	43	40	46	46	46	46	46	46	46	46
HD 2x1-1/2x8	9¼	9¼	9¼	9¼	9¼	9¼	9¾	9¾	10%	10%	10%	10%	12	12	12	12	13	13	13	13
HD 3x2x8	9¼	9¼	9¼	9¼	9¼	9¼	10%	10%	10%	10%	10%	10%	12	12	12	12	13	13	13	13
HD* 3x2x11	11	11	11	11	11	11	11%	11%	11%	11%	11%	11%	12	12	12	12	13	13	13	13
HD 3x2x14	12	12	12	12	12	12	12%	12%	12%	12%	12%	12%	13	13	13	13	13	13	13	13
HD 4x3x9	11	11	11	11	11	11	11%	11%	11%	11%	11%	11%	12¼	12¼	12¼	12¼	13	13	13	13
HG	3	3	3	3	3	3	3¾	3¾	3¾	3¾	3¾	3¾	4	4	4	4	4	4	4	4
HE	¾	¾	¾	¾	¾	¾	6	6	6	6	6	6	7½	7½	7½	7½	7½	7½	7½	7½
HE 4x3x9	¾	¾	¾	¾	¾	¾	6	6	6	6	6	6	6½	6½	6½	6½	7½	7½	7½	7½
HF	25½	25½	29½	29½	29½	33½	37½	37½	37½	37½	40½	37½	43½	43½	43½	43½	43½	43½	43½	43½
HH	¾	¾	¾	¾	¾	¾	¾	¾	¾	¾	¾	¾	¾	¾	¾	¾	¾	¾	¾	¾
HP	1¼	1¼	1¼	1¼	1¼	1¼	1¼	1¼	1¼	1¼	1¼	1¼	1¼	1¼	1¼	1¼	1¼	1¼	1¼	1¼

* HD increases ½" when casing with 250# flanges is used with 143-326TS frame sizes.

Customer				Shop Order No.				Date:		By:	
Pump Data	Fig. No.	Size	Curve No.	GPM	Head	Sp. Gr.	Temp.	Rotation	Packing/Seal		
Motor Data	MFGR	Hp	RPM	Phase-Cycle Voltage		Frame	Enclosure	Insulation	Furnished by	Mounted	

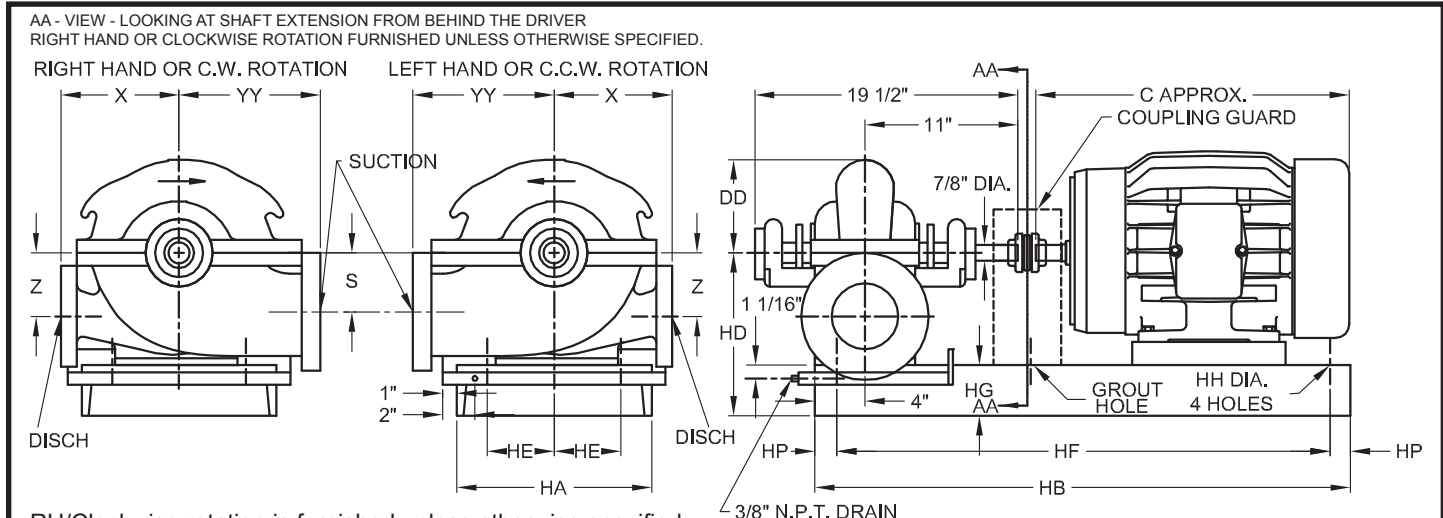
Fig. 5061

Pumps with Type C Drip Lip Steel Base, Coupling & Motor
Bulletin 5060A

DEMING®

www.cranepumps.com

Horizontal Split Case Centrifugal Pumps



RH/Clockwise rotation is furnished unless otherwise specified.

PUMP	SUCT	DISCH	DD	YY	S	X	Z
2 x 1½ x 8	2	1½	5	7	¾	6½	¾
*3 x 2 x 8	3	2	5¼	7	¾	6½	¾
3 x 2 x 11	3	2	7¼	9	½	8	½
3 x 2 x 14	3	2	8¼	10	½	10	½
4 x 3 x 9	4+	3	7	9	4	8	4

SIZE	SUCT & DISCH 125LB ASA FF			SUCT & DISCH 250LB ASA FF				
	DIA.	FLG. #	BOLTS	B.C.	DIA.	FLG. #	BOLTS	B.C.
1½	5	4	4 - ½	3¾	6¾	4	4 - ¾	4½
2	6	4	4 - 5/8	4¾	6½	8	8 - 5/8	5
3	7½	4	4 - 5/8	6	8¼	8	8 - ¾	6½
4	9	8	8 - 5/8	7½	10	8	8 - ¾	7½

(*) SIZE 3 x 2 x 8 WITH 250LB FLANGES YY = 7-3/8", X = 6-5/8"

(+) TOP TWO BOLT HOLES OF FLANGE ARE TAPPED.

BASE DIMENSIONS IN INCHES

FRAME NO	143T	145T	182T	184T	213T	215T	254T	256T	284T	284TS	286T	286TS	324T	324TS	326T	326TS	364T	364TS	365T	365TS
BASE NO.	27501	27501	27502	27502	27502	27503	27504	27504	27504	27504	27505	27504	27507	27507	27507	27507	27507	27507	27507	27507
C	13¾	13¾	14¾	15¾	17¾	19¼	22¾	24¾	25¾	24½	27¾	26	28¾	27¼	30¼	28¾	33¾	31	34¾	32
HA	12	12	12	12	12	12	15	15	15	15	15	15	18	18	18	18	18	18	18	18
HB	28	28	32	32	32	36	40	40	40	40	43	40	46	46	46	46	46	46	46	46
HD 2x1-1/2x8	9¼	9¼	9¼	9¼	9¼	9¼	9¾	9¾	10%	10%	10%	10%	12	12	12	12	13	13	13	13
HD 3x2x8	9¼	9¼	9¼	9¼	9¼	9¼	10¾	10¾	10%	10%	10%	10%	12	12	12	12	13	13	13	13
HD* 3x2x11	11	11	11	11	11	11	11¾	11¾	11%	11%	11%	11%	12	12	12	12	13	13	13	13
HD 3x2x14	12	12	12	12	12	12	12¾	12¾	12%	12%	12%	12%	13	13	13	13	13	13	13	13
HD 4x3x9	11	11	11	11	11	11	11¾	11¾	11%	11%	11%	11%	12¼	12¼	12¼	12¼	13	13	13	13
HG	3	3	3	3	3	3	3¾	3¾	3¾	3¾	3¾	3¾	4	4	4	4	4	4	4	4
HE	4¾	4¾	4¾	4¾	4¾	4¾	6	6	6	6	6	6	7½	7½	7½	7½	7½	7½	7½	7½
HE 4x3x9	4¾	4¾	4¾	4¾	4¾	4¾	6	6	6	6	6	6	6½	6½	6½	6½	7½	7½	7½	7½
HF	25½	25½	29½	29½	29½	33½	37½	37½	37½	37½	40½	37½	43½	43½	43½	43½	43½	43½	43½	43½
HH	¾	¾	¾	¾	¾	¾	¾	¾	¾	¾	¾	¾	¾	¾	¾	¾	¾	¾	¾	¾
HP	1¼	1¼	1¼	1¼	1¼	1¼	1¼	1¼	1¼	1¼	1¼	1¼	1¼	1¼	1¼	1¼	1¼	1¼	1¼	1¼

* HD increases ½" when casing with 250# flanges is used with 143-326TS frame sizes.

Customer				Shop Order No.				Date:		By:	
Pump Data	Fig. No.	Size	Curve No.	GPM	Head	Sp. Gr.	Temp.	Rotation	Packing/Seal		
Motor Data	MFGR	Hp	RPM	Phase-Cycle Voltage		Frame	Enclosure	Insulation	Furnished by	Mounted	

SECTION 29
PAGE 12
DATE 4/19



PUMPS & SYSTEMS

A Crane Co. Company USA: (937) 778-8947 • Canada: (905) 457-6223 • International: (937) 615-3598