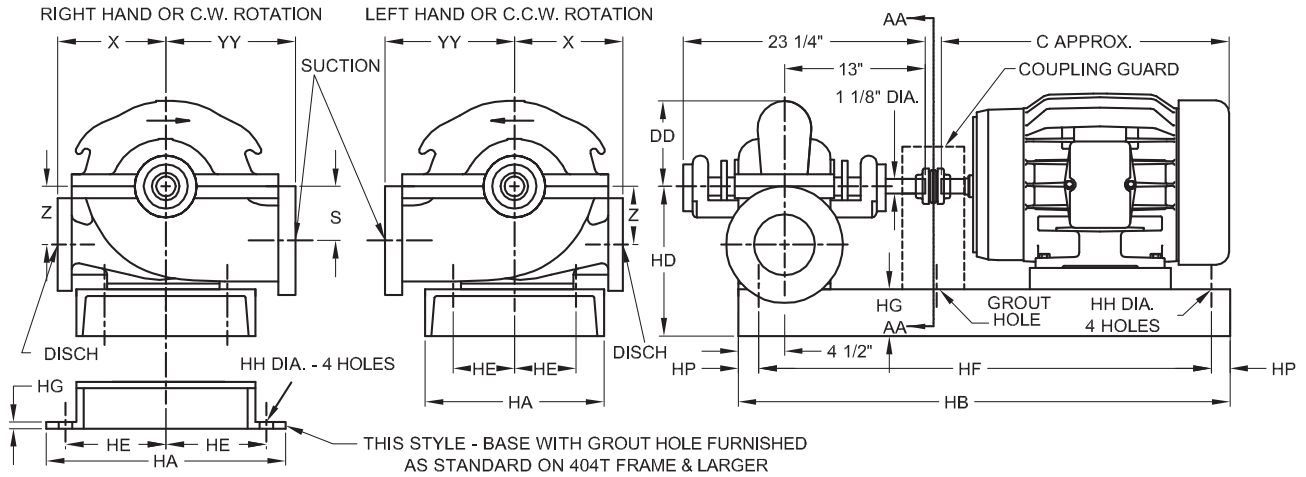


Horizontal Split Case Centrifugal Pumps

AA - VIEW - LOOKING AT SHAFT EXTENSION FROM BEHIND THE DRIVER
RIGHT HAND OR CLOCKWISE ROTATION UNLESS OTHERWISE SPECIFIED.



RH/Clockwise rotation is furnished unless otherwise specified.

PUMP	SUCT	DISCH	DD	YY	S	X	Z
4 x 3 x 11	4+	3	7 ³ / ₄	10	4 ³ / ₄	8 ¹ / ₂	4 ³ / ₄
4 x 3 x 14	4	3	10 ¹ / ₂	12	5 ¹ / ₂	11	5 ¹ / ₂
4 x 3 x 17	4	3	10 ¹ / ₂	13	6	12	6
6 x 4 x 9	6+	4	7 ¹ / ₄	10	5 ¹ / ₄	9	5 ¹ / ₄
6 x 4 x 12	6+	4	8 ⁵ / ₈	11	5 ¹ / ₂	10	5 ¹ / ₂
6 x 4 x 14 ¹ / ₂	6+	4	11	13	5 ¹ / ₂	12	5 ¹ / ₂
8 x 6 x 9	8+	6+	8 ¹ / ₂	11	5 ¹ / ₂	10	5 ¹ / ₂

SIZE	SUCT & DISCH 125LB ASA FF			SUCT & DISCH 250LB ASA FF		
	DIA.	FLG. # -BOLTS	B.C.	DIA.	FLG. # -BOLTS	B.C.
3	7 ¹ / ₂	4 - 5/8	6	8 ¹ / ₄	8 - 3/4	6 ⁵ / ₈
4	9	8 - 5/8	7 ¹ / ₂	10	8 - 3/4	7 ⁷ / ₈
6	11	8 - 3/4	9 ¹ / ₂	12 ¹ / ₂	12 - 3/4	10 ⁵ / ₈
8	13 ¹ / ₂	8 - 3/4	11 ³ / ₄	15	12 - 7/8	13

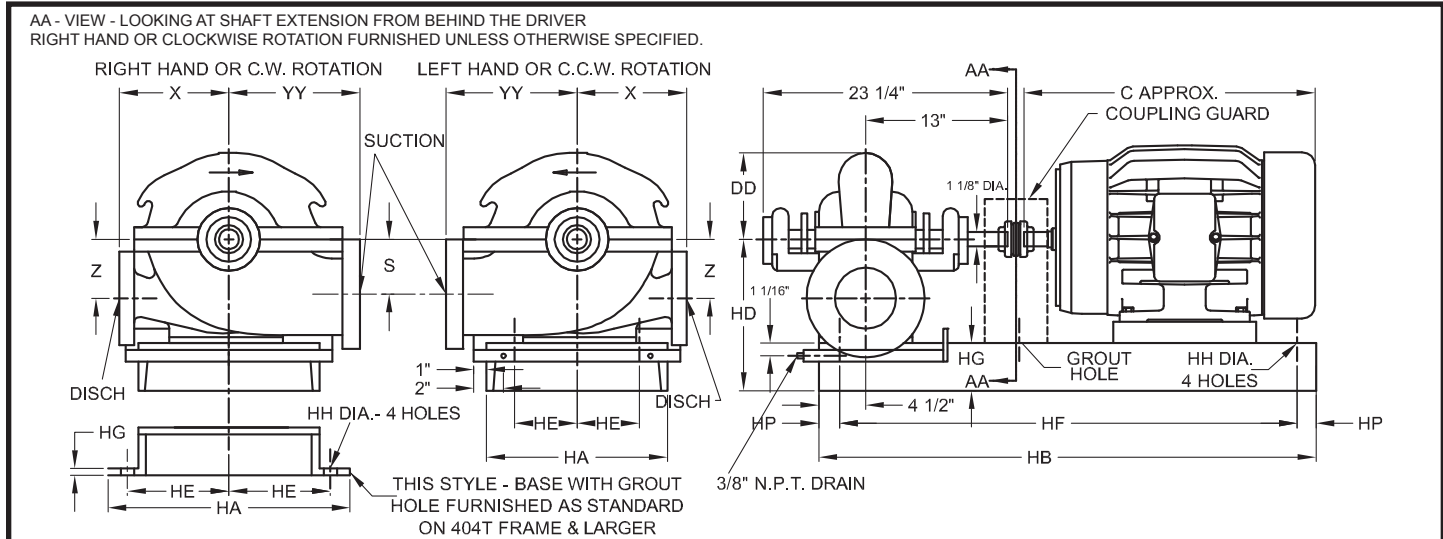
(+) TOP TWO BOLT HOLES OF FLANGE ARE TAPPED.

BASE DIMENSIONS IN INCHES

FRAME NO	182T	184T	213T	215T	254T	256T	284T	284TS	286T	286TS	324T	324TS	326T	326TS	364T	364TS	365T	365TS	404T	404TS	405T	405TS	444T	444TS	445T	445TS
BASE NO.	27502	27503	27503	27503	27504	27505	27505	27504	27505	27505	27507	27507	27507	27507	27507	27507	27508	27507	27510	27510	27510	27510	27512	27512	27512	27512
C	14%	15%	17%	19%	22%	24%	25%	24 ¹ / ₂	27%	26	28%	27 ¹ / ₄	30%	28%	33%	31	34%	32	37%	34%	38%	36	42%	38%	44%	40%
HA	12	12	12	12	15	15	15	15	15	15	18	18	18	18	18	18	18	18	25	25	25	25	27	27	27	27
HB	32	36	36	36	40	43	43	40	43	43	46	46	46	46	46	46	51	46	50	50	50	50	53	53	53	53
HD 4x3x11	12	12	12	12	12 ³ / ₈	12 ³ / ₈	12 ³ / ₈	12 ³ / ₈	12 ³ / ₈	12 ³ / ₈	13	13	13	13	13	13	13	13	14 ¹ / ₂	14 ¹ / ₂	14 ¹ / ₂	14 ¹ / ₂	15 ¹ / ₂	15 ¹ / ₂	15 ¹ / ₂	15 ¹ / ₂
HD 4x3x14	13	13	13	13	13 ³ / ₈	13 ³ / ₈	13 ³ / ₈	13 ³ / ₈	13 ³ / ₈	13 ³ / ₈	14	14	14	14	14	14	14	14	14 ¹ / ₂	14 ¹ / ₂	14 ¹ / ₂	14 ¹ / ₂	15 ¹ / ₂	15 ¹ / ₂	15 ¹ / ₂	15 ¹ / ₂
HD 4x3x17	14	14	14	14	14 ³ / ₈	14 ³ / ₈	14 ³ / ₈	14 ³ / ₈	14 ³ / ₈	14 ³ / ₈	15	15	15	15	15	15	15	15	15 ¹ / ₂	15 ¹ / ₂	15 ¹ / ₂	15 ¹ / ₂	16 ¹ / ₂	16 ¹ / ₂	16 ¹ / ₂	16 ¹ / ₂
HD 6x4x9	12	12	12	12	13 ³ / ₈	13 ³ / ₈	14 ¹ / ₈	14 ¹ / ₈	14 ¹ / ₈	14 ¹ / ₈	15 ¹ / ₂	15 ¹ / ₂	15 ¹ / ₂	15 ¹ / ₂	15 ¹ / ₂	15 ¹ / ₂	15 ¹ / ₂	15 ¹ / ₂	16 ¹ / ₄	16 ¹ / ₄	16 ¹ / ₄	16 ¹ / ₄	16 ¹ / ₄	16 ¹ / ₄	16 ¹ / ₄	16 ¹ / ₄
HD 6x4x12	13	13	13	13	13 ³ / ₈	13 ³ / ₈	13 ³ / ₈	13 ³ / ₈	13 ³ / ₈	13 ³ / ₈	14 ¹ / ₄	14 ¹ / ₄	14 ¹ / ₄	14 ¹ / ₄	14 ¹ / ₄	14 ¹ / ₄	14 ¹ / ₄	14 ¹ / ₄	15 ¹ / ₄	15 ¹ / ₄	15 ¹ / ₄	15 ¹ / ₄	15 ¹ / ₄	15 ¹ / ₄	15 ¹ / ₄	15 ¹ / ₄
HD 6x4x14 ¹ / ₂	14	14	14	14	14 ³ / ₈	14 ³ / ₈	14 ³ / ₈	14 ³ / ₈	14 ³ / ₈	14 ³ / ₈	15	15	15	15	15	15	15	15	15 ¹ / ₂	15 ¹ / ₂	15 ¹ / ₂	15 ¹ / ₂	15 ¹ / ₂	15 ¹ / ₂	15 ¹ / ₂	15 ¹ / ₂
HD 8x6x9	13	13	13	13	13 ³ / ₈	13 ³ / ₈	13 ³ / ₈	13 ³ / ₈	13 ³ / ₈	13 ³ / ₈	15 ¹ / ₄	15 ¹ / ₄	15 ¹ / ₄	15 ¹ / ₄	15 ¹ / ₄	15 ¹ / ₄	15 ¹ / ₄	15 ¹ / ₄	16 ¹ / ₄	16 ¹ / ₄	16 ¹ / ₄	16 ¹ / ₄	16 ¹ / ₄	16 ¹ / ₄	16 ¹ / ₄	16 ¹ / ₄
HG	3	3	3	3	3 ³ / ₈	3 ³ / ₈	3 ³ / ₈	3 ³ / ₈	3 ³ / ₈	3 ³ / ₈	4	4	4	4	4	4	4	4	3 ¹ / ₈	3 ¹ / ₈	3 ¹ / ₈	3 ¹ / ₈	3 ¹ / ₈	3 ¹ / ₈	3 ¹ / ₈	3 ¹ / ₈
HE	4 ³ / ₈	4 ³ / ₈	4 ³ / ₈	4 ³ / ₈	6	6	6	6	6	6	7 ¹ / ₂	7 ¹ / ₂	7 ¹ / ₂	7 ¹ / ₂	7 ¹ / ₂	7 ¹ / ₂	7 ¹ / ₂	7 ¹ / ₂	11 ¹ / ₄	11 ¹ / ₄	11 ¹ / ₄	11 ¹ / ₄	12 ¹ / ₄	12 ¹ / ₄	12 ¹ / ₄	12 ¹ / ₄
HF	29 ¹ / ₂	33 ¹ / ₂	33 ¹ / ₂	33 ¹ / ₂	37 ¹ / ₂	40 ¹ / ₂	40 ¹ / ₂	37 ¹ / ₂	40 ¹ / ₂	40 ¹ / ₂	43 ¹ / ₂	43 ¹ / ₂	43 ¹ / ₂	43 ¹ / ₂	43 ¹ / ₂	43 ¹ / ₂	48 ¹ / ₂	43 ¹ / ₂	47	47	47	47	50	50	50	50
HH	3 ¹ / ₄	3 ¹ / ₄	3 ¹ / ₄	3 ¹ / ₄	3 ¹ / ₄	3 ¹ / ₄	3 ¹ / ₄	3 ¹ / ₄	3 ¹ / ₄	3 ¹ / ₄	3 ¹ / ₄	3 ¹ / ₄	3 ¹ / ₄	3 ¹ / ₄	3 ¹ / ₄	3 ¹ / ₄	3 ¹ / ₄	3 ¹ / ₄	7 ¹ / ₈	7 ¹ / ₈	7 ¹ / ₈	7 ¹ / ₈	7 ¹ / ₈	7 ¹ / ₈	7 ¹ / ₈	7 ¹ / ₈
HP	1 ¹ / ₄	1 ¹ / ₄	1 ¹ / ₄	1 ¹ / ₄	1 ¹ / ₄	1 ¹ / ₄	1 ¹ / ₄	1 ¹ / ₄	1 ¹ / ₄	1 ¹ / ₄	1 ¹ / ₄	1 ¹ / ₄	1 ¹ / ₄	1 ¹ / ₄	1 ¹ / ₄	1 ¹ / ₄	1 ¹ / ₄	1 ¹ / ₄	1 ¹ / ₂	1 ¹ / ₂	1 ¹ / ₂	1 ¹ / ₂	1 ¹ / ₂	1 ¹ / ₂	1 ¹ / ₂	1 ¹ / ₂

Customer				Shop Order No.				Date:			By:		
Pump Data	Fig. No.	Size	Curve No.	GPM	Head	Sp. Gr.	Temp.	Rotation	Packing/Seal				
Motor Data	MFGR	Hp	RPM	Phase-Cycle Voltage		Frame	Enclosure	Insulation	Furnished by		Mounted		

Horizontal Split Case Centrifugal Pumps



RH/Clockwise rotation is furnished unless otherwise specified.

PUMP	SUCT	DISCH	DD	YY	S	X	Z
4 x 3 x 11	4+	3	7 3/4	10	4 3/4	8 1/2	4 3/4
4 x 3 x 14	4	3	10 1/2	12	5 1/2	11	5 1/2
4 x 3 x 17	4	3	10 1/4	13	6	12	6
6 x 4 x 9	6+	4	7 1/4	10	5 1/4	9	5 1/4
6 x 4 x 12	6+	4	8 5/8	11	5 1/2	10	5 1/2
6 x 4 x 14 1/2	6+	4	11	13	5 1/2	12	5 1/2
8 x 6 x 9	8+	6+	8 1/2	11	5 1/2	10	5 1/2

SIZE	SUCT & DISCH 125LB ASA FF			SUCT & DISCH 250LB ASA FF				
	DIA.	FLG. #	-BOLTS	B.C.	DIA.	FLG. #	-BOLTS	B.C.
3	7 1/2	4	5/8	6	8 1/4	8	3/4	6 5/8
4	9	8	5/8	7 1/2	10	8	3/4	7 7/8
6	11	8	3/4	9 1/2	12 1/2	12	3/4	10 5/8
8	13 1/2	8	3/4	11 3/4	15	12	7/8	13

(+) TOP TWO BOLT HOLES OF FLANGE ARE TAPPED.

BASE DIMENSIONS IN INCHES

FRAME NO	182T	184T	213T	215T	254T	256T	284T	284TS	286T	286TS	324T	324TS	326T	326TS	364T	364TS	365T	365TS	404T	404TS	405T	405TS	444T	444TS	445T	445TS		
BASE NO.	27502	27503	27503	27503	27504	27505	27505	27504	27505	27505	27507	27507	27507	27507	27507	27507	27508	27507	27510	27510	27510	27510	27512	27512	27512	27512		
C	14%	15%	17%	19%	22%	24%	25%	24 1/2	27%	26	28%	27 1/4	30 1/4	28 3/4	33%	31	34 1/8	32	37 1/4	34 1/4	38 3/8	36	42 5/8	38 3/8	44%	40%		
HA	12	12	12	12	15	15	15	15	15	15	18	18	18	18	18	18	18	18	25	25	25	25	27	27	27	27		
HB	32	36	36	36	40	43	43	40	43	43	46	46	46	46	46	46	51	46	50	50	50	50	53	53	53	53		
HD 4x3x11	12	12	12	12	12 1/2	12 1/2	12 1/2	12 1/2	12 1/2	12 1/2	13	13	13	13	13	13	13	13	14 1/2	14 1/2	14 1/2	14 1/2	15 1/2	15 1/2	15 1/2	15 1/2		
HD 4x3x14	13	13	13	13	13 3/8	13 3/8	13 3/8	13 3/8	13 3/8	13 3/8	14	14	14	14	14	14	14	14	14 1/2	14 1/2	14 1/2	14 1/2	15 1/2	15 1/2	15 1/2	15 1/2		
HD 4x3x17	14	14	14	14	14 3/8	14 3/8	14 3/8	14 3/8	14 3/8	14 3/8	15	15	15	15	15	15	15	15	15 1/2	15 1/2	15 1/2	15 1/2	16 1/2	16 1/2	16 1/2	16 1/2		
HD 6x4x9	12	12	12	12	13 3/8	13 3/8	14 1/8	14 1/8	14 1/8	14 1/8	15 1/2	15 1/2	15 1/2	15 1/2	15 1/2	15 1/2	15 1/2	15 1/2	16 1/4	16 1/4	16 1/4	16 1/4	16 1/2	16 1/2	16 1/2	16 1/2		
HD 6x4x12	13	13	13	13	13 3/8	13 3/8	13 3/8	13 3/8	13 3/8	13 3/8	14 1/4	14 1/4	14 1/4	14 1/4	14 1/4	14 1/4	14 1/4	14 1/4	15 1/4	15 1/4	15 1/4	15 1/4	15 1/2	15 1/2	15 1/2	15 1/2		
HD 6x4x14 1/2	14	14	14	14	14 3/8	14 3/8	14 3/8	14 3/8	14 3/8	14 3/8	15	15	15	15	15	15	15	15	15 1/2	15 1/2	15 1/2	15 1/2	15 1/2	15 1/2	15 1/2	15 1/2		
HD 8x6x9	13	13	13	13	13 3/8	13 3/8	13 3/8	13 3/8	13 3/8	13 3/8	15 1/4	15 1/4	15 1/4	15 1/4	15 1/4	15 1/4	15 1/4	15 1/4	16 1/4	16 1/4	16 1/4	16 1/4	16 1/4	16 1/4	16 1/4	16 1/4		
HG	3	3	3	3	3 3/8	3 3/8	3 3/8	3 3/8	3 3/8	3 3/8	4	4	4	4	4	4	4	4	3/8	3/8	3/8	3/8	1/2	1/2	1/2	1/2		
HE	4 3/4	4 3/4	4 3/4	4 3/4	6	6	6	6	6	6	7 1/2	7 1/2	7 1/2	7 1/2	7 1/2	7 1/2	7 1/2	7 1/2	11 1/4	11 1/4	11 1/4	11 1/4	12 1/4	12 1/4	12 1/4	12 1/4		
HF	29 1/2	33 1/2	33 1/2	33 1/2	37 1/2	40 1/2	40 1/2	37 1/2	40 1/2	40 1/2	43 1/2	43 1/2	43 1/2	43 1/2	43 1/2	43 1/2	43 1/2	43 1/2	48 1/2	43 1/2	47	47	47	47	50	50	50	50
HH	3/4	3/4	3/4	3/4	3/4	3/4	3/4	3/4	3/4	3/4	3/4	3/4	3/4	3/4	3/4	3/4	3/4	3/4	7/8	7/8	7/8	7/8	7/8	7/8	7/8	7/8		
HP	1 1/4	1 1/4	1 1/4	1 1/4	1 1/4	1 1/4	1 1/4	1 1/4	1 1/4	1 1/4	1 1/4	1 1/4	1 1/4	1 1/4	1 1/4	1 1/4	1 1/4	1 1/4	1 1/2	1 1/2	1 1/2	1 1/2	1 1/2	1 1/2	1 1/2	1 1/2		

Customer				Shop Order No.				Date:			By:		
Pump Data	Fig. No.	Size	Curve No.	GPM	Head	Sp. Gr.	Temp.	Rotation	Packing/Seal				
Motor Data	MFGR	Hp	RPM	Phase-Cycle Voltage			Frame	Enclosure	Insulation	Furnished by		Mounted	

SECTION 29
PAGE 14
DATE 3/18



PUMPS & SYSTEMS

A Crane Co. Company

USA: (937) 778-8947 • Canada: (905) 457-6223 • International: (937) 615-3598