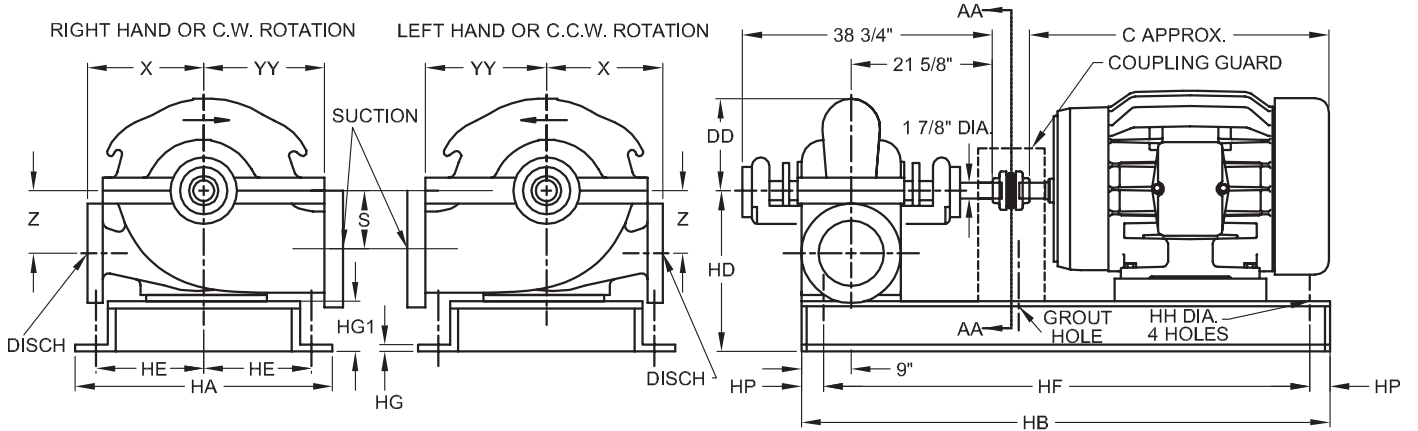


## Horizontal Split Case Centrifugal Pumps

AA - VIEW - LOOKING AT SHAFT EXTENSION FROM BEHIND THE DRIVER  
RIGHT HAND OR CLOCKWISE ROTATION FURNISHED UNLESS OTHERWISE SPECIFIED.



RH/Clockwise rotation is furnished unless otherwise specified.

PUMP	SUCT	DISCH	DD	YY	S	X	Z
14x12x14½	14	12	14⅞	26	14	22	12¾

SIZE	SUCT & DISCH 125LB ASA FF			SUCT & DISCH 250LB ASA FF				
	DIA.	FLG.	# - BOLTS	B.C.	DIA.	FLG.	# - BOLTS	B.C.
12	19	12 - 7/8	17	20½	16 - 1½	17¾		
14	21	12 - 1	18¾	23	20 - 1½	20¼		

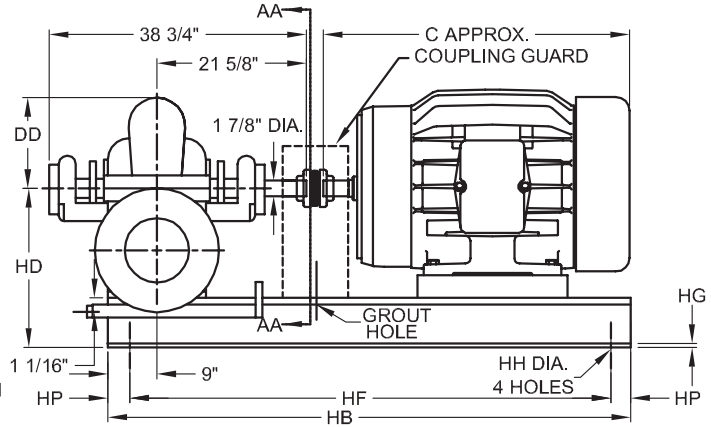
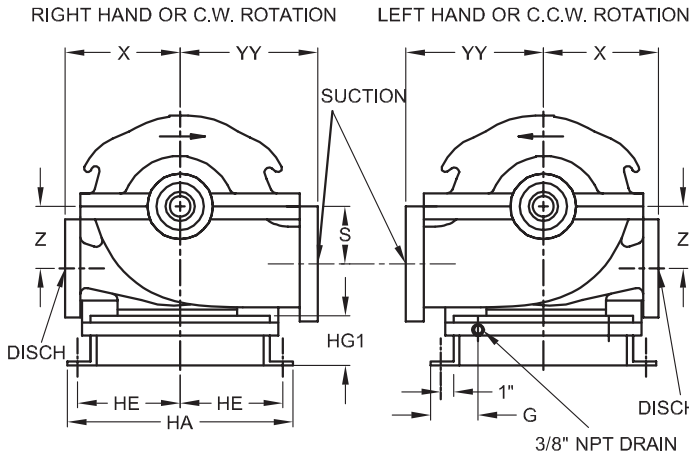
### BASE DIMENSIONS IN INCHES

FRAME NO	286T	324T	324TS	326T	326TS	364T	364TS	365T	365TS	404T	404TS	405T	405TS	444T	444TS	445T	445TS	447T	447TS	449T	449TS	
BASE NO.	28451	28451	28451	28451	28451	28452	28452	28452	28452	27516	27516	27516	27516	27516	27516	27516	27516	27516	27516	41861	41861	
C	27⅞	28¾	27¼	30¼	28¾	33⅞	31	34⅞	32	37¼	34¼	38⅞	36	42⅞	38⅞	44⅞	40⅞	43⅞	39⅞	46⅞	44⅞	
HA	25	25	25	25	25	27	27	27	27	30	30	30	30	30	30	30	30	30	30	30	30	
HB	57	57	57	57	57	62	62	62	62	70	70	70	70	70	70	70	70	70	70	80	80	
HD 14x12x14½	30¼	30¼	30¼	30¼	30¼	30¼	30¼	30¼	30¼	31½	31½	31½	31½	31½	31½	31½	31½	31½	31½	31½	31½	
HG1	--	--	--	--	--	--	--	--	--	--	--	--	--	--	--	--	--	--	--	5	5	
HG	⅜	⅜	⅜	⅜	⅜	½	½	½	½	½	½	½	½	½	½	½	½	½	½	--	--	
HE	11¼	11¼	11¼	11¼	11¼	12¼	12¼	12¼	12¼	13¼	13¼	13¼	13¼	13¼	13¼	13¼	13¼	13¼	13¼	13¼	13½	
HF	54	54	54	54	54	59	59	59	59	66	66	66	66	66	66	66	66	66	66	77	77	
HH	⅞	⅞	⅞	⅞	⅞	⅞	⅞	⅞	⅞	⅞	⅞	⅞	⅞	⅞	⅞	⅞	⅞	⅞	⅞	⅞	1	1
HP	1½	1½	1½	1½	1½	1½	1½	1½	1½	2	2	2	2	2	2	2	2	2	2	1½	1½	

Customer				Shop Order No.				Date:		By:	
Pump Data	Fig. No.	Size	Curve No.	GPM	Head	Sp. Gr.	Temp.	Rotation	Packing/Seal		
Motor Data	MFGR	Hp	RPM	Phase-Cycle Voltage		Frame	Enclosure	Insulation	Furnished by	Mounted	

## Horizontal Split Case Centrifugal Pumps

AA - VIEW - LOOKING AT SHAFT EXTENSION FROM BEHIND THE DRIVER  
RIGHT HAND OR CLOCKWISE ROTATION FURNISHED UNLESS OTHERWISE SPECIFIED.



RH/Clockwise rotation is furnished unless otherwise specified.

PUMP	SUCT	DISCH	DD	YY	S	X	Z
14x12x14½	14	12	14¾	26	14	22	12¾

SIZE	SUCT & DISCH 125LB ASA FF			SUCT & DISCH 250LB ASA FF				
	DIA.	FLG.	# -BOLTS	B.C.	DIA.	FLG.	# -BOLTS	B.C.
12	19	12	7/8	17	20½	16	1½	17¾
14	21	12	1	18¾	23	20	1½	20¼

### BASE DIMENSIONS IN INCHES

FRAME NO	286T	324T	324TS	326T	326TS	364T	364TS	365T	365TS	404T	404TS	405T	405TS	444T	444TS	445T	445TS	447T	447TS	449T	449TS
BASE NO.	28451	28451	28451	28451	28451	28452	28452	28452	28452	27516	27516	27516	27516	27516	27516	27516	27516	27516	27516	41861	41861
C	27¾	28¾	27¼	30¼	28¾	33¾	31	34¾	32	37¼	34¼	38¾	36	42½	38¾	44½	40¾	43¾	39¾	46¾	44¾
HA	25	25	25	25	25	27	27	27	27	30	30	30	30	30	30	30	30	30	30	30	30
HB	57	57	57	57	57	62	62	62	62	70	70	70	70	70	70	70	70	70	70	80	80
HD 14x12x14½	30¾	30¾	30¾	30¾	30¾	30¾	30¾	30¾	30¾	31½	31½	31½	31½	31½	31½	31½	31½	31½	31½	31	31
G	2	2	2	2	2	2	2	2	2	2	2	2	2	2	2	2	2	2	2	15	15
HG1	--	--	--	--	--	--	--	--	--	--	--	--	--	--	--	--	--	--	--	5	5
HG	¾	¾	¾	¾	¾	½	½	½	½	½	½	½	½	½	½	½	½	½	½	--	--
HE	11¼	11¼	11¼	11¼	11¼	12¼	12¼	12¼	12¼	13¼	13¼	13¼	13¼	13¼	13¼	13¼	13¼	13¼	13¼	13¼	13½
HF	54	54	54	54	54	59	59	59	59	66	66	66	66	66	66	66	66	66	66	66	66
HH	⅞	⅞	⅞	⅞	⅞	⅞	⅞	⅞	⅞	⅞	⅞	⅞	⅞	⅞	⅞	⅞	⅞	⅞	⅞	1	1
HP	1½	1½	1½	1½	1½	1½	1½	1½	1½	2	2	2	2	2	2	2	2	2	2	1½	1½

Customer				Shop Order No.				Date:		By:	
Pump Data	Fig. No.	Size	Curve No.	GPM	Head	Sp. Gr.	Temp.	Rotation	Packing/Seal		
Motor Data	MFGR	Hp	RPM	Phase-Cycle Voltage		Frame	Enclosure	Insulation	Furnished by	Mounted	

SECTION 29  
PAGE 20  
DATE 7/07



A Crane Co. Company

## PUMPS & SYSTEMS