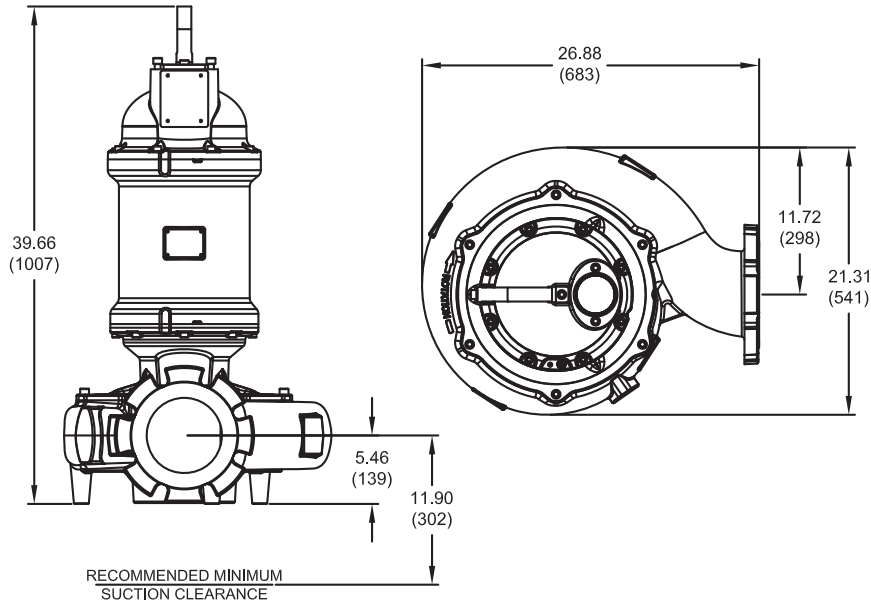
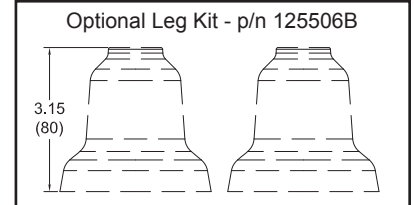


Demersible Non-Clog Pumps

#3 Frame Driver



inches
(mm)



| Model No. | Imp. Dia. inches (mm) | HP | Volt | PH | Hz | RPM | NEMA Start Code | Full Load Amps | S.F. | S.F. Amps | Locked Rotor Amps | Cord P/N ▲ | Cord Size |
|------------------|-----------------------------|----|------|----|----|------|-----------------------|----------------------|------|--------------|-------------------------|---------------|-------------|
| 7365*-621-1K-30N | 13.00 (330) | 15 | 208 | 3 | 60 | 1150 | H | 47.0 | 1.2 | 56.8 | 248.6 | 125498 | 8/4 - 18/4 |
| | | | 230 | | | | | 51.4 | | 125498 | | 8/4 - 18/4 | |
| | | | 460 | | | | | 22.0 | | 25.7 | | 125497 | 12/4 - 18/4 |
| 7365*-621-75-30N | 13.00 (330) | 15 | 575 | 3 | 60 | 1150 | H | 17.6 | 1.2 | 20.6 | 99.4 | 125497 | 12/4 - 18/4 |
| 7365*-621-61-30N | 13.58 (345) | 20 | 460 | 3 | 60 | 1150 | E | 28.6 | 1.2 | 34.9 | 124.3 | 125499 | 8/4 - 18/4 |
| 7365*-621-76-30N | 13.58 (345) | 20 | 575 | 3 | 60 | 1150 | E | 22.9 | 1.2 | 27.9 | 99.4 | 125497 | 12/4 - 18/4 |

* FOR NON-EXPLOSION PROOF (STANDARD) MODELS, USE FIGURE NUMBER 7365N.

▲ CORD SOLD SEPARATELY. CORD SUFFIX: XF - 50 FEET, XJ - 75 FEET, OR XL - 100 FEET.

IMPORTANT !

- 1.) MOISTURE AND TEMPERATURE SENSORS **MUST** BE CONNECTED TO VALIDATE THE CSA LISTING.
 - 2.) A SPECIAL MOISTURE SENSOR RELAY IS REQUIRED IN THE CONTROL PANEL FOR PROPER OPERATION OF THE MOISTURE SENSORS. CONTACT CP&S FOR INFORMATION CONCERNING MOISTURE SENSING RELAYS FOR CUSTOMER SUPPLIED CONTROL PANELS.
 - 3.) THESE PUMPS ARE CSA LISTED FOR PUMPING WATER AND WASTEWATER. **DO NOT USE TO PUMP FLAMMABLE LIQUIDS.** NOT SUITABLE FOR ENVIRONMENTS CONTAINING GASOLINE OR HEXANE.
 - 4.) INSTALLATIONS SUCH AS DECORATIVE FOUNTAINS OR WATER FEATURES PROVIDED FOR VISUAL ENJOYMENT MUST BE INSTALLED IN ACCORDANCE WITH THE NATIONAL ELECTRIC CODE ANSI/NFPA 70 AND/OR THE AUTHORITY HAVING JURISDICTION. THIS PUMP IS NOT INTENDED FOR USE IN SWIMMING POOLS, RECREATIONAL WATER PARKS, OR INSTALLATIONS IN WHICH HUMAN CONTACT WITH PUMPED MEDIA IS A COMMON OCCURRENCE.
 - 5.) A **NON-SPARKING** BREAKAWAY FITTING MUST BE USED TO VALIDATE THE EXPLOSION PROOF LISTING.
 - 6.) WINDING RESISTANCE ± 7.5%. WINDING RESISTANCE MEASURED IN OHMS @ 25°C (BETWEEN LINES) AT MOTOR LEADS.
 - 7.) PUMP RATED FOR OPERATION AT ± 10% VOLTAGE AT MOTOR.
 - 8.) ALL EXPLOSION PROOF PUMPS AND MOTORS ARE CSA EXPLOSION-PROOF TO CLASS I DIVISION 1 GROUPS C&D T4 RATING
- ** CUSTOMER TO SPECIFY IMPELLER DIAMETER WHEN ORDERING.

Size 6MH (Mono Vane)

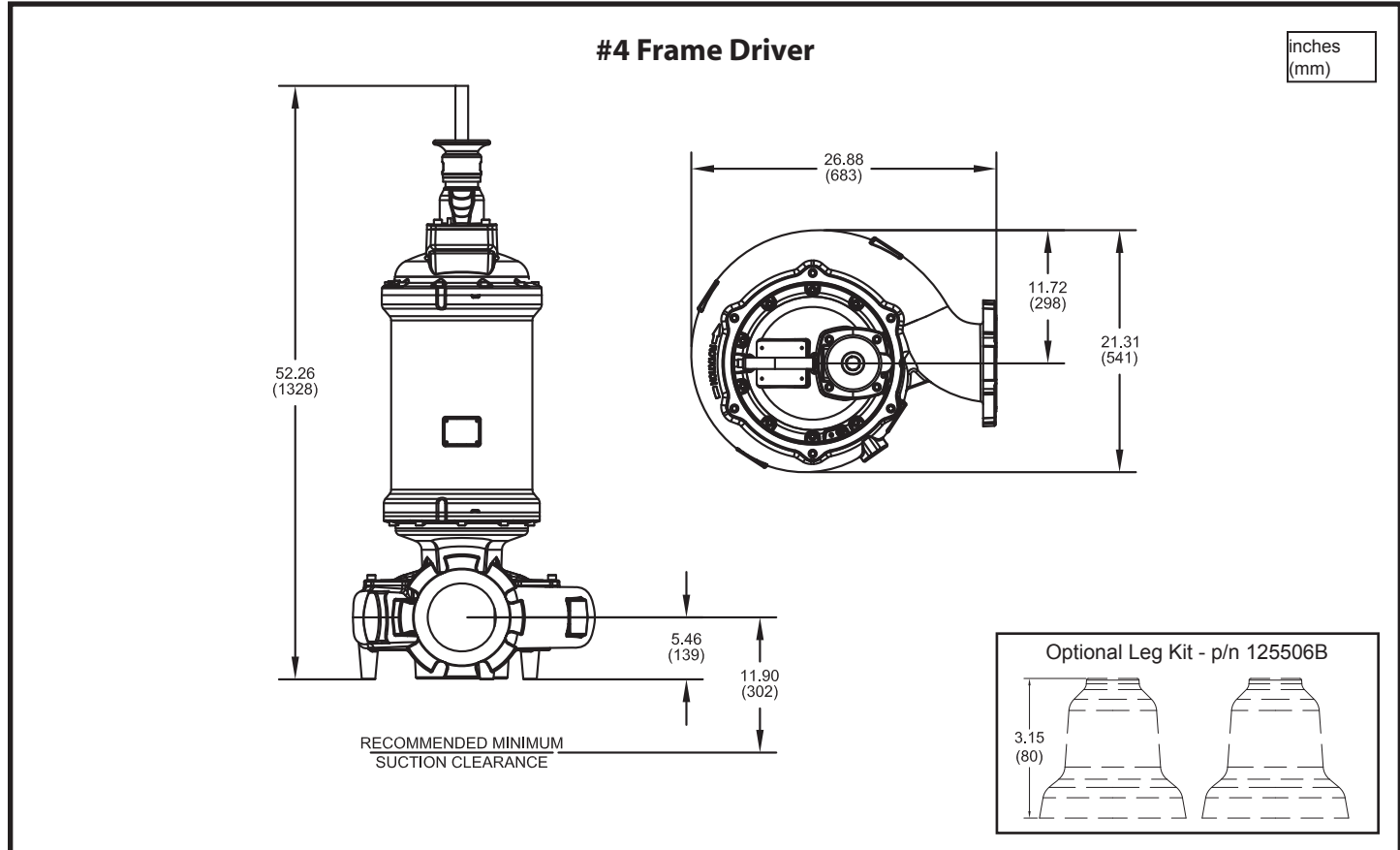
3" Spherical Solids Handling

7365*-617, 621

DEMING®

www.cranepumps.com

Demersible Non-Clog Pumps



| Model No. | Imp. Dia. inches (mm) | HP | Volt | PH | Hz | RPM | NEMA Start Code | Full Load Amps | S.F. | S.F. Amps | Locked Rotor Amps | Cord P/N ▲ | Cord Size |
|------------------|-----------------------|-----|------|----|----|------|-----------------|----------------|------|-----------|-------------------|------------|------------|
| 7365*-617-65-30N | 12.60 (320) | 50 | 460 | 3 | 60 | 1750 | F | 67.1 | 1.2 | 79.0 | 339.0 | 138318 | 6/4 - 18/4 |
| 7365*-617-80-30N | 12.60 (320) | 50 | 575 | 3 | 60 | 1750 | F | 53.7 | 1.2 | 63.2 | 271.2 | 138318 | 6/4 - 18/4 |
| 7365*-617-66-30N | 13.19 (335) | 60 | 460 | 3 | 60 | 1750 | E | 79.0 | 1.2 | 95.5 | 339.0 | 138319 | 2/4 - 18/4 |
| 7365*-617-81-30N | 13.19 (335) | 60 | 575 | 3 | 60 | 1750 | E | 63.2 | 1.2 | 76.4 | 271.2 | 138318 | 6/4 - 18/4 |
| 7365*-621-31-30N | 13.58 (345) | 20 | 208 | 3 | 60 | 1150 | H | 60.3 | 1.2 | 71.5 | 354.0 | 138318 | 6/4 - 18/4 |
| | | 230 | 57.2 | | | | | 69.8 | | 138318 | | 6/4 - 18/4 | |
| 7365*-621-32-30N | 14.57 (370) | 25 | 208 | 3 | 60 | 1150 | G | 75.2 | 1.2 | 90.8 | 354.0 | 138319 | 2/4 - 18/4 |
| | | 230 | 70.8 | | | | | 82.6 | | 138319 | | 2/4 - 18/4 | |
| 7365*-621-92-30N | 14.57 (370) | 25 | 460 | 3 | 60 | 1150 | G | 35.4 | 1.2 | 41.3 | 177.0 | 138317 | 8/4 - 18/4 |
| 7365*-621-1B-30N | 14.57 (370) | 25 | 575 | 3 | 60 | 1150 | G | 28.3 | 1.2 | 33.0 | 141.6 | 138317 | 8/4 - 18/4 |

* FOR NON-EXPLOSION PROOF (STANDARD) MODELS, USE FIGURE NUMBER 7365N.

▲ CORD SOLD SEPARATELY. CORD SUFFIX: XF - 50 FEET, XJ - 75 FEET, OR XL - 100 FEET.

IMPORTANT !

- 1.) MOISTURE AND TEMPERATURE SENSORS **MUST** BE CONNECTED TO VALIDATE THE CSA LISTING.
 - 2.) A SPECIAL MOISTURE SENSOR RELAY IS REQUIRED IN THE CONTROL PANEL FOR PROPER OPERATION OF THE MOISTURE SENSORS. CONTACT CP&S FOR INFORMATION CONCERNING MOISTURE SENSING RELAYS FOR CUSTOMER SUPPLIED CONTROL PANELS.
 - 3.) THESE PUMPS ARE CSA LISTED FOR PUMPING WATER AND WASTEWATER. **DO NOT USE TO PUMP FLAMMABLE LIQUIDS.** NOT SUITABLE FOR ENVIRONMENTS CONTAINING GASOLINE OR HEXANE.
 - 4.) INSTALLATIONS SUCH AS DECORATIVE FOUNTAINS OR WATER FEATURES PROVIDED FOR VISUAL ENJOYMENT MUST BE INSTALLED IN ACCORDANCE WITH THE NATIONAL ELECTRIC CODE ANSI/NFPA 70 AND/OR THE AUTHORITY HAVING JURISDICTION. THIS PUMP IS NOT INTENDED FOR USE IN SWIMMING POOLS, RECREATIONAL WATER PARKS, OR INSTALLATIONS IN WHICH HUMAN CONTACT WITH PUMPED MEDIA IS A COMMON OCCURRENCE.
 - 5.) A **NON-SPARKING** BREAKAWAY FITTING MUST BE USED TO VALIDATE THE EXPLOSION PROOF LISTING.
 - 6.) WINDING RESISTANCE ± 7.5%. WINDING RESISTANCE MEASURED IN OHMS @ 25°C (BETWEEN LINES) AT MOTOR LEADS.
 - 7.) PUMP RATED FOR OPERATION AT ± 10% VOLTAGE AT MOTOR.
 - 8.) ALL EXPLOSION PROOF PUMPS AND MOTORS ARE CSA EXPLOSION-PROOF TO CLASS I DIVISION 1 GROUPS C&D T4 RATING
- ** CUSTOMER TO SPECIFY IMPELLER DIAMETER WHEN ORDERING.

SECTION 42A
PAGE 62
DATE 4/19



PUMPS & SYSTEMS

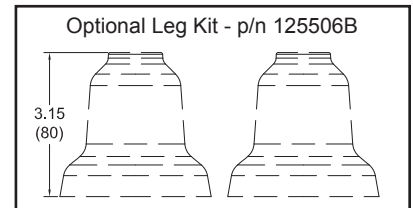
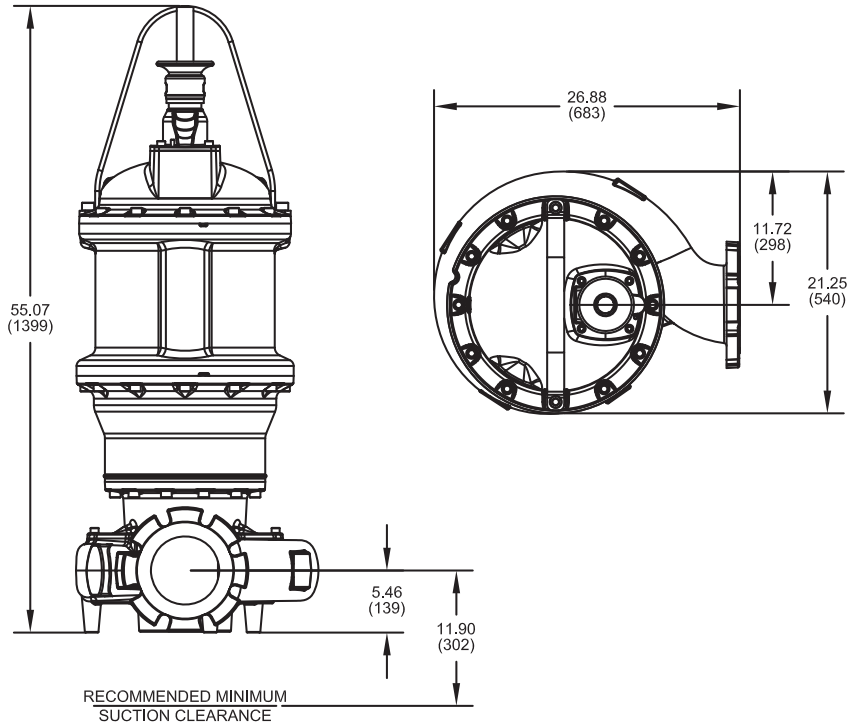
A Crane Co. Company

USA: (937) 778-8947 • Canada: (905) 457-6223 • International: (937) 615-3598

Demersible Non-Clog Pumps

#5 Frame Driver

inches
(mm)



| Model No. | Imp. Dia. inches (mm) | HP | Volt | PH | Hz | RPM | NEMA Start Code | Full Load Amps | S.F. | S.F. Amps | Locked Rotor Amps | Cord P/N ▲ | Cord Size |
|------------------|-----------------------------|-----|------|----|----|------|-----------------------|----------------------|------|--------------|-------------------------|---------------|------------|
| 7365*-617-67-30N | 13.78 (350) | 75 | 460 | 3 | 60 | 1750 | G | 108.4 | 1.15 | 120.7 | 578.0 | 138319 | 2/4 - 18/4 |
| 7365*-617-82-30N | 13.78 (350) | 75 | 575 | 3 | 60 | 1750 | G | 86.7 | 1.15 | 96.6 | 462.4 | 138319 | 2/4 - 18/4 |
| 7365*-617-68-30N | 14.37 (365) | 100 | 460 | 3 | 60 | 1750 | E | 136.6 | 1.15 | 155.3 | 578.0 | 138319 | 2/4 - 18/4 |
| 7365*-617-83-30N | 14.37 (365) | 100 | 575 | 3 | 60 | 1750 | E | 109.2 | 1.15 | 124.2 | 462.4 | 138319 | 2/4 - 18/4 |

* FOR NON-EXPLOSION PROOF (STANDARD) MODELS, USE FIGURE NUMBER 7365N.

▲ CORD SOLD SEPARATELY. CORD SUFFIX: XF - 50 FEET, XJ - 75 FEET, OR XL - 100 FEET.

IMPORTANT !

- 1.) MOISTURE AND TEMPERATURE SENSORS **MUST** BE CONNECTED TO VALIDATE THE CSA LISTING.
 - 2.) A SPECIAL MOISTURE SENSOR RELAY IS REQUIRED IN THE CONTROL PANEL FOR PROPER OPERATION OF THE MOISTURE SENSORS. CONTACT CP&S FOR INFORMATION CONCERNING MOISTURE SENSING RELAYS FOR CUSTOMER SUPPLIED CONTROL PANELS.
 - 3.) THESE PUMPS ARE CSA LISTED FOR PUMPING WATER AND WASTEWATER. **DO NOT USE TO PUMP FLAMMABLE LIQUIDS.** NOT SUITABLE FOR ENVIRONMENTS CONTAINING GASOLINE OR HEXANE.
 - 4.) INSTALLATIONS SUCH AS DECORATIVE FOUNTAINS OR WATER FEATURES PROVIDED FOR VISUAL ENJOYMENT MUST BE INSTALLED IN ACCORDANCE WITH THE NATIONAL ELECTRIC CODE ANSI/NFPA 70 AND/OR THE AUTHORITY HAVING JURISDICTION. THIS PUMP IS NOT INTENDED FOR USE IN SWIMMING POOLS, RECREATIONAL WATER PARKS, OR INSTALLATIONS IN WHICH HUMAN CONTACT WITH PUMPED MEDIA IS A COMMON OCCURRENCE.
 - 5.) A **NON-SPARKING** BREAKAWAY FITTING MUST BE USED TO VALIDATE THE EXPLOSION PROOF LISTING.
 - 6.) WINDING RESISTANCE $\pm 7.5\%$. WINDING RESISTANCE MEASURED IN OHMS @ 25°C (BETWEEN LINES) AT MOTOR LEADS.
 - 7.) PUMP RATED FOR OPERATION AT $\pm 10\%$ VOLTAGE AT MOTOR.
 - 8.) ALL EXPLOSION PROOF PUMPS AND MOTORS ARE CSA EXPLOSION-PROOF TO CLASS I DIVISION 1 GROUPS C&D T4 RATING
- ** CUSTOMER TO SPECIFY IMPELLER DIAMETER WHEN ORDERING.