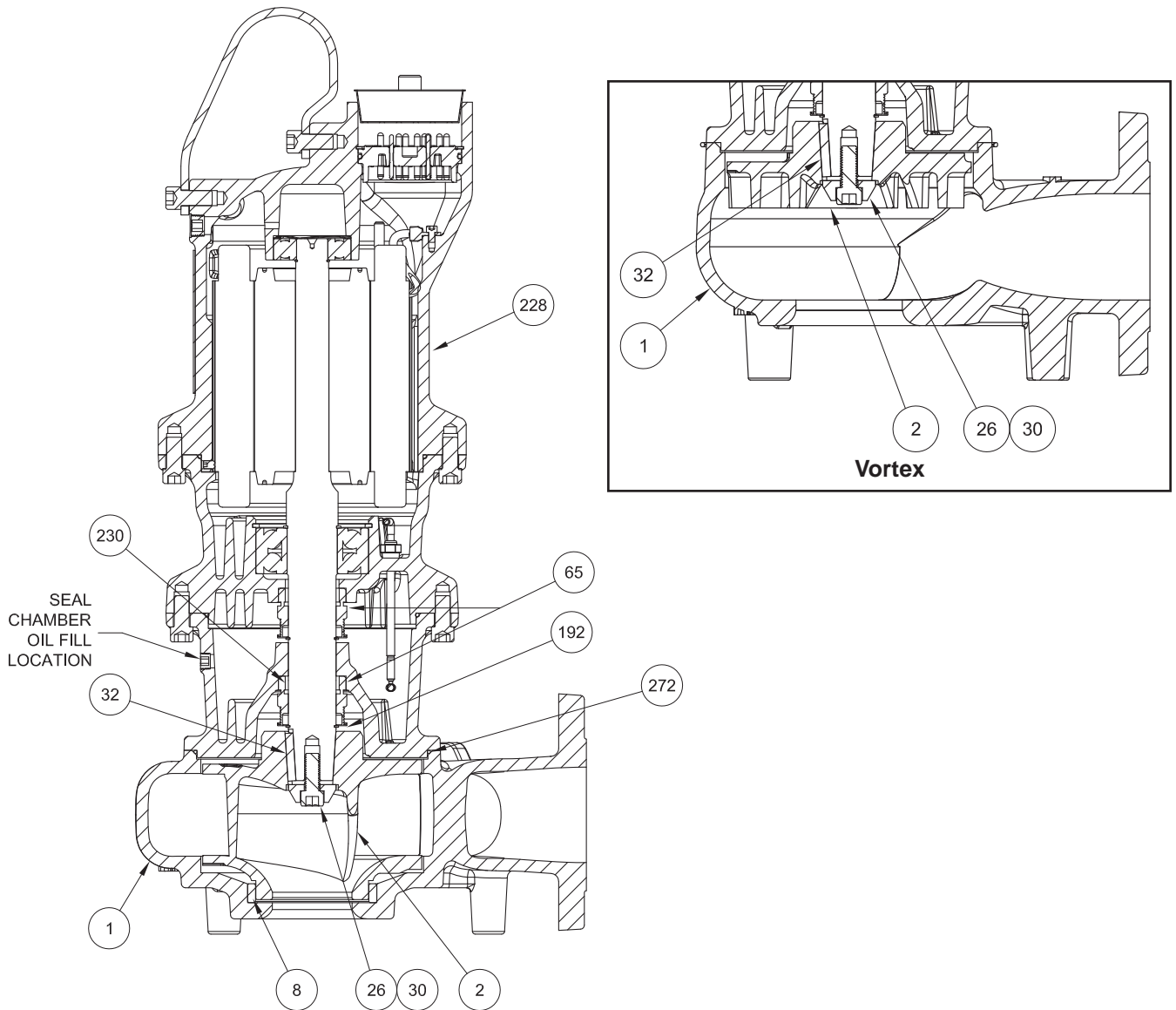


Demersible Non-Clog Pumps



Enclosed

NOTE: Cord Sold Separately

Item No.	Name of Part	Material	Item No.	Name of Part	Material
1	Casing	Cast Iron	65	Mechanical Seal	BF-1C1
2	Impeller	Ductile Iron	192	Retaining Ring	420 SS
8	Wear Ring	Cast Iron	228	Motor	
26	Impeller Cap Screw	18-8 SS	230	Spring Pin	420 SS
30	Impeller Washer	18-8 SS	272	"O" Ring	Buna-N
32	Impeller Key	303 SS			



WARNING:
 CANCER AND REPRODUCTIVE HARM -
WWW.P65WARNINGS.CA.GOV