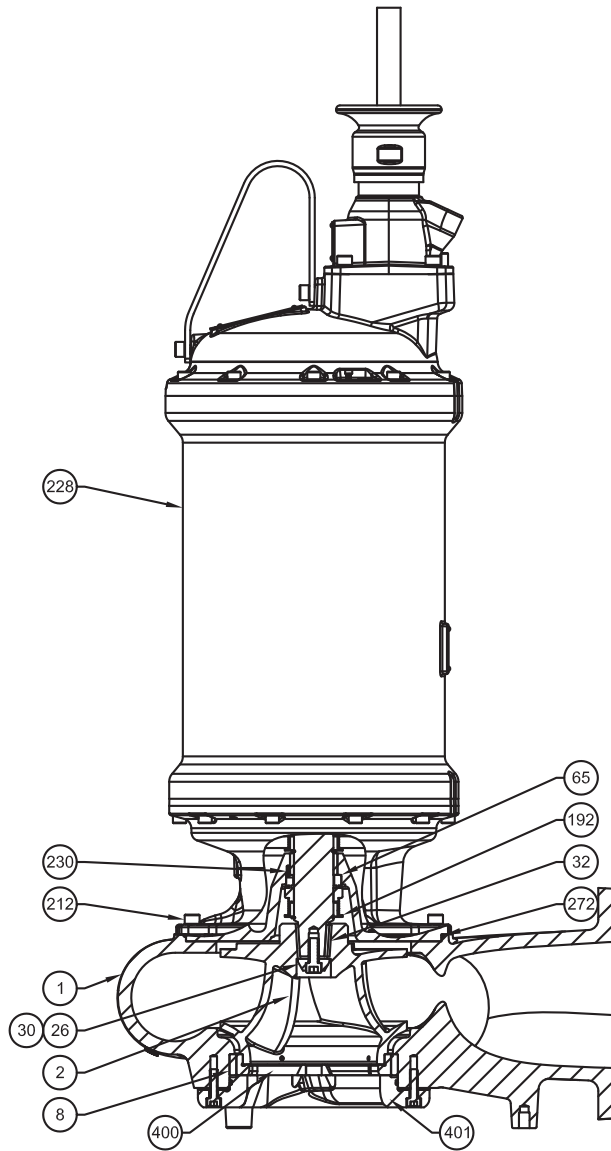


Demersible Chopper Pumps



| Item No. | Name of Part | Material | Item No. | Name of Part | Material |
|----------|-----------------------|------------------|----------|----------------|----------------|
| 1 | Casing | Cast Iron | 192 | Retaining Ring | 15-7 PH, SS |
| 2 | Impeller | Ductile Iron | 212 | Cap Screw | 18-8 SS |
| 8 | Wear Ring | Lead Free Bronze | 228 | Motor | |
| 26 | Impeller Cap Screw | 18-8 SS | 230 | Spring Pin | 420 SS |
| 30 | Impeller Washer | 18-8 SS | 272 | "O" Ring | Buna-N |
| 32 | Impeller Key | 303 SS | 400 | Slicer Blade | Stainless 440C |
| 65 | Lower Mechanical Seal | B/SC/SC | 401 | Striker Plate | Stainless 440C |
| N.S. | Upper Mechanical Seal | B/C/CE | | | |



WARNING:
 CANCER AND REPRODUCTIVE HARM -
WWW.P65WARNINGS.CA.GOV