

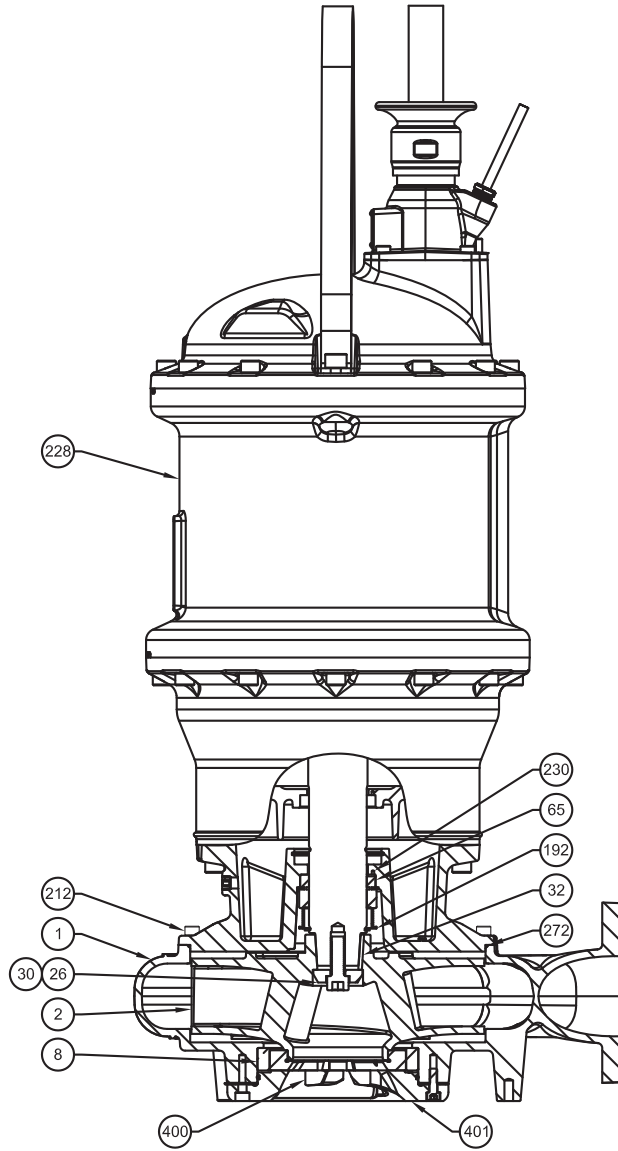
Pump Assembly

#5 Driver Frame

DEMING®

www.cranepumps.com

Demersible Chopper Pumps



Item No.	Name of Part	Material	Item No.	Name of Part	Material
1	Casing	Cast Iron	192	Retaining Ring	420 SS
2	Impeller	Ductile Iron	212	Cap Screw	18-8 SS
8	Wear Ring	Lead Free Bronze	228	Motor	
26	Impeller Cap Screw	18-8 SS	230	Spring Pin	420 SS
30	Impeller Washer	18-8 SS	272	"O" Ring	Buna-N
32	Impeller Key	303 SS	400	Slicer Blade	Stainless 440C
65	Lower Mechanical Seal	B/SC/SC	401	Striker Plate	Stainless 440C
N.S.	Upper Mechanical Seal	B/C/CE			



WARNING:

CANCER AND REPRODUCTIVE HARM -
WWW.P65WARNINGS.CA.GOV

SECTION 42B
 PAGE 10
 DATE 2/19

CRANE
 A Crane Co. Company

PUMPS & SYSTEMS

USA: (937) 778-8947 • Canada: (905) 457-6223 • International: (937) 615-3598