

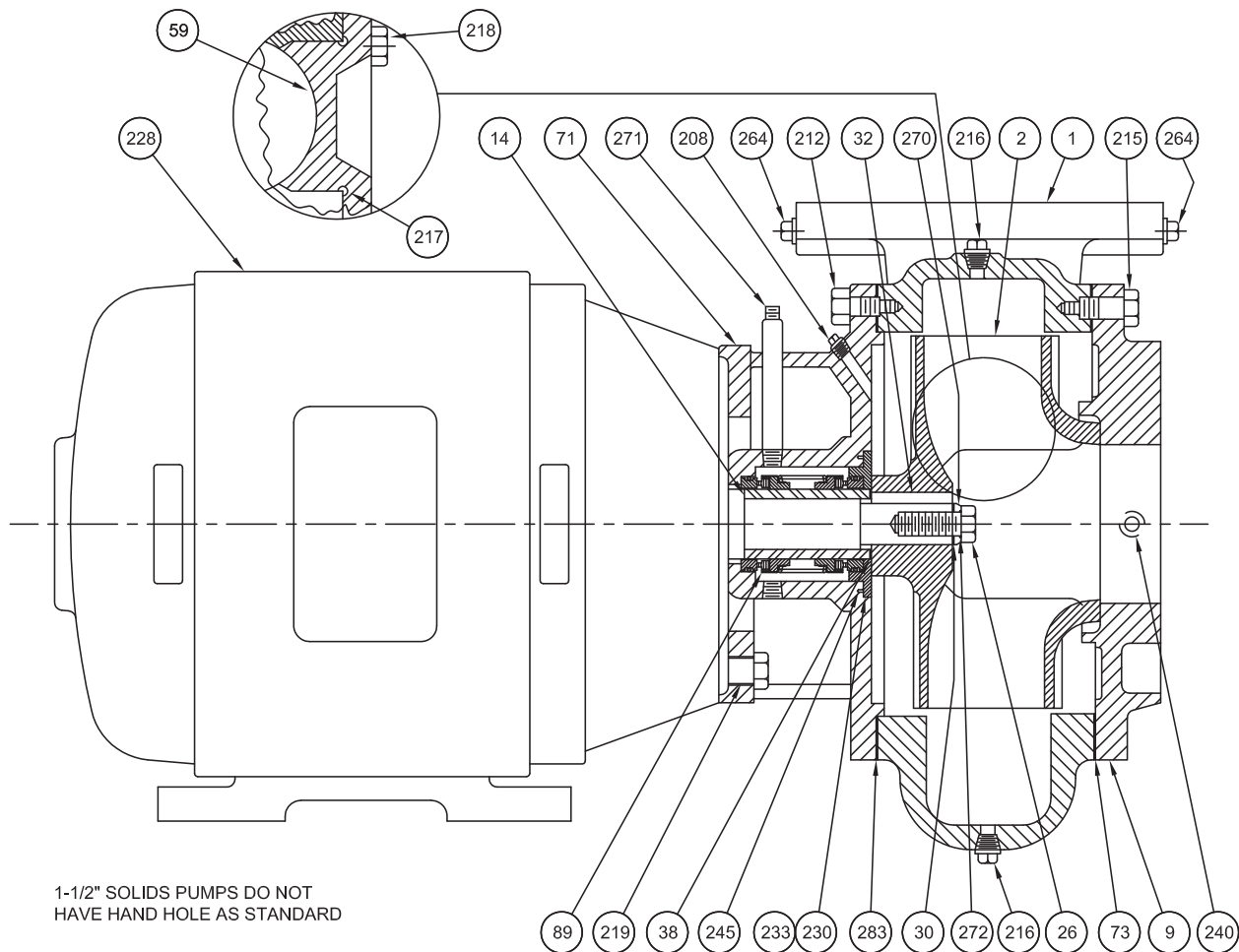
Pump Assembly - Fig. 7170

Horizontal Motor-Mount w/ Double Mechanical Seal & Type JM Close-Coupled Motor - Bulletin 7100-80

DEMING®

www.cranepumps.com

Dry Pit Solids Handling Centrifugal Pumps



1-1/2" SOLIDS PUMPS DO NOT HAVE HAND HOLE AS STANDARD



WARNING:

CANCER AND REPRODUCTIVE HARM -
WWW.P65WARNINGS.CA.GOV

Item No.	Description
1	Casing
2	Impeller
9	Suction Cover
14	Shaft Sleeve
* 26	Impeller Screw (Self Locking)
30	Impeller Washer Gasket
32	Impeller Key
38	Shaft Sleeve Gasket
40	Deflector (Not Shown)
59	Hand Hole Cover
71	Adapter
* 73	Gasket (Casing)
* 89	Seal (Double Mechanical)
203	Name Plate (Not Shown)
208	Pipe Plugs

Item No.	Description
212	Cap Screws
214	Drive Screw (Not Shown)
215	Cap Screw
216	Pipe Plug
217	O-Ring
218	Cap Screws
219	Cap Screws
228	Motor
230	Seal Retainer
240	Pipe Plug
245	Machine Screw Flat Head
264	Pipe Plug
* 270	Impeller Washer
271	Pipe Nipple
272	Impeller Bolt O-Ring

1½" Solids Pumps do not have hand hole as standard.

(*) Recommended Spare Parts

SECTION 45-LS
PAGE 4
DATE 10/18

CRANE
®

PUMPS & SYSTEMS

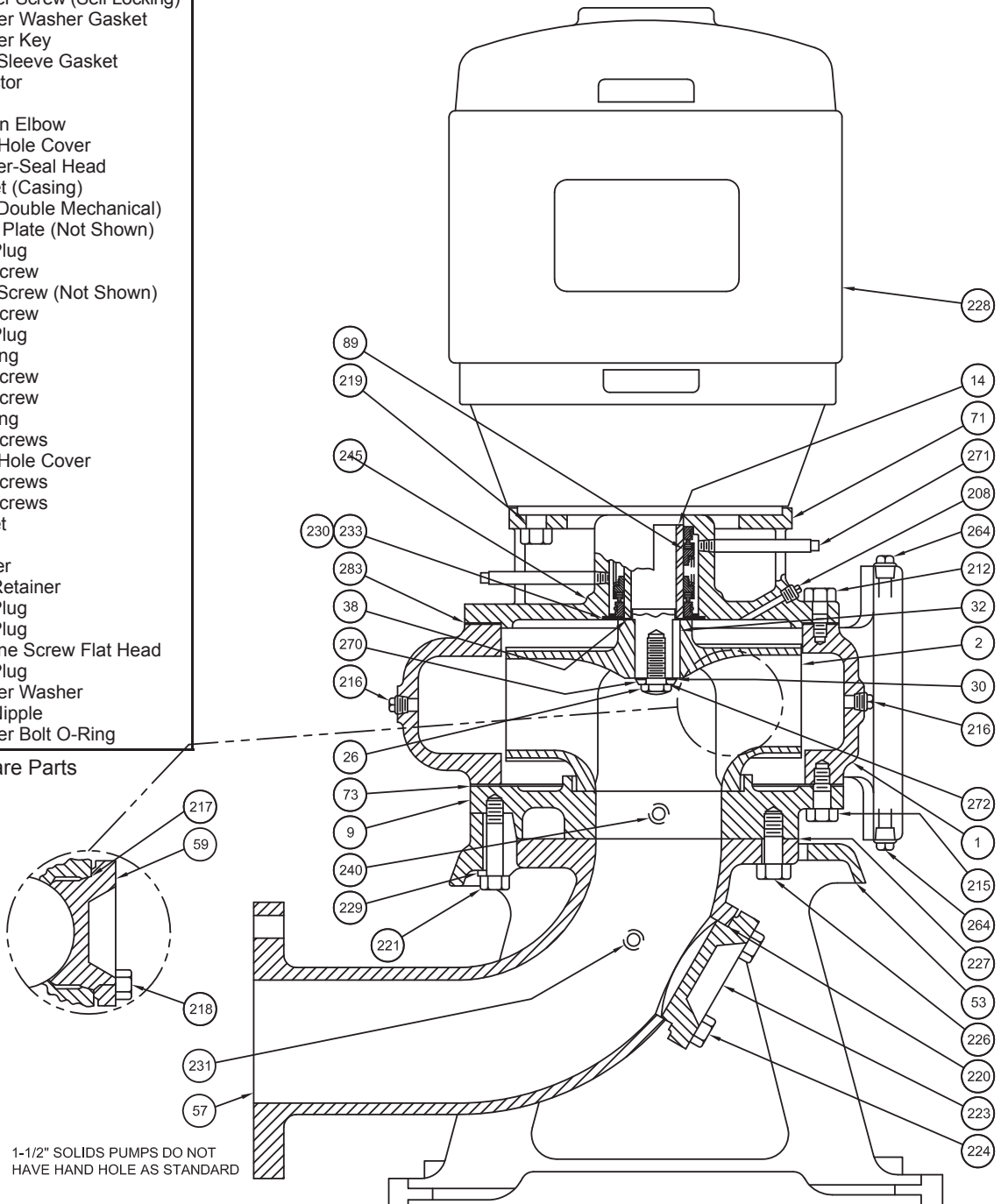
A Crane Co. Company

USA: (937) 778-8947 • Canada: (905) 457-6223 • International: (937) 615-3598

Dry Pit Solids Handling Centrifugal Pumps

Item No.	Name of Parts
1	Casing
2	Impeller
9	Suction Cover
14	Shaft Sleeve
* 26	Impeller Screw (Self Locking)
30	Impeller Washer Gasket
32	Impeller Key
38	Shaft Sleeve Gasket
40	Deflector
53	Base
57	Suction Elbow
59	Hand Hole Cover
71	Adapter-Seal Head
* 73	Gasket (Casing)
* 89	Seal (Double Mechanical)
203	Name Plate (Not Shown)
208	Pipe Plug
212	Cap Screw
214	Drive Screw (Not Shown)
215	Cap Screw
216	Pipe Plug
217	"O" Ring
218	Cap Screw
219	Cap Screw
220	"O" Ring
221	Cap Screws
223	Hand Hole Cover
224	Cap Screws
226	Cap Screws
* 227	Gasket
228	Motor
229	Washer
230	Seal Retainer
231	Pipe Plug
240	Pipe Plug
245	Machine Screw Flat Head
264	Pipe Plug
* 270	Impeller Washer
271	Pipe Nipple
272	Impeller Bolt O-Ring

(*) Recommended Spare Parts



WARNING:
 CANCER AND REPRODUCTIVE HARM -
 WWW.P65WARNINGS.CA.GOV