

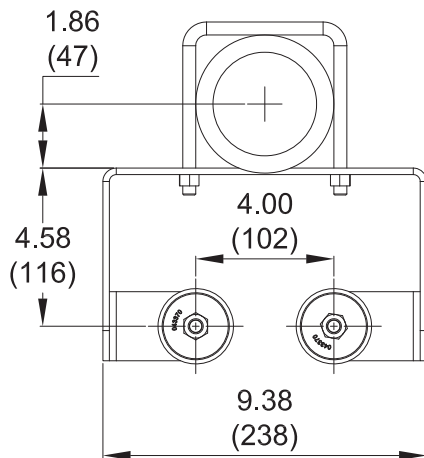
Intermediate Rail Supports

3" & 4" Non-Clog Pumps

DEMING®

www.cranepumps.com

Demersible Chopper Pumps

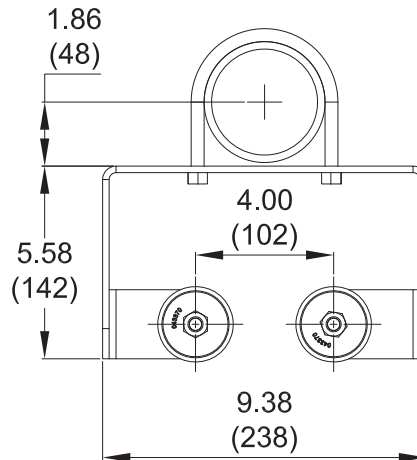


3x3 Stainless

P/N: 134200

Used with BAF 3x3: P/N 134202

For Use with Cast or Ductile Iron Discharge Pipe

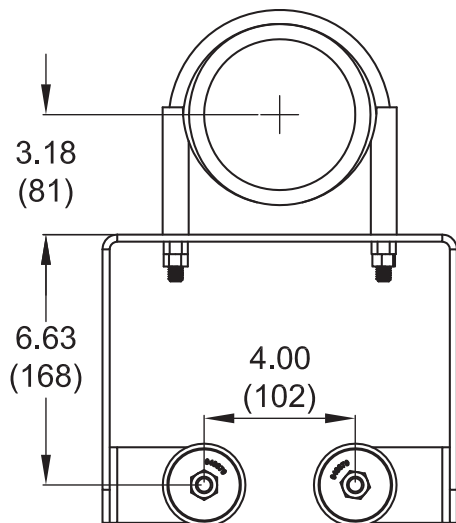


3x3 Stainless

P/N: 134199

Used with BAF 3x3: P/N 134202

For Use with Steel Discharge Pipe

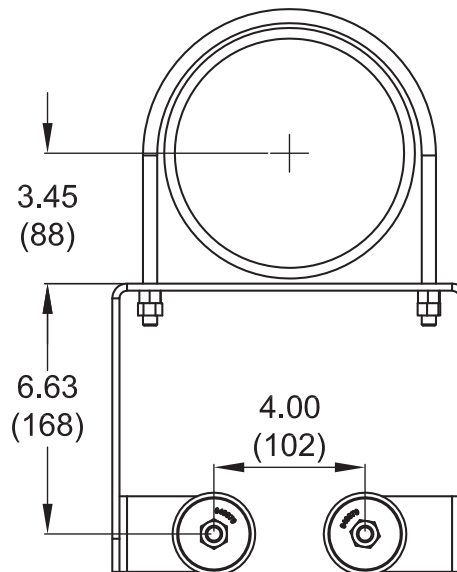


4x4 Stainless

P/N: 131307

Used with BAF 4x4: P/N 128281

For Use with Cast or Ductile Iron Discharge Pipe



4x6 or 6x6 Stainless

P/N: 131308

Used with BAF 4x6: P/N 128280

Used with BAF 6x6: P/N 139202

For Use with Cast or Ductile Iron Discharge Pipe

The intermediate guide rail support is required for every 13 feet (14m) of guide rail.

Mount the intermediate between each section of guide rail pipe, by inserting each pipe over the nipples of the intermediate. Next secure the intermediate to the discharge piping. Be sure to keep the guide rails from warping and keep them parallel and perpendicular.

SECTION 42B
PAGE 84
DATE 11/18

CRANE

A Crane Co. Company

PUMPS & SYSTEMS

USA: (937) 778-8947 • Canada: (905) 457-6223 • International: (937) 615-3598

Demersible Chopper Pumps

4" (102) Stainless
P/N: 111432

For Steel Pipe [A = 4.50" (114) O.D.]
Used with BAF-4 P/N's; 087315 and 087316

For Cast Iron or Ductil Iron Pipe [A = 4.80" (121) O.D.]
Used with BAF-4 P/N's; 087315 and 087316

4" (102) Stainless with
6" (152) Pipe
P/N: 111433

For Steel Pipe
A = 6.63" (168) DIA
B = 6.31" (160)
C = 0.25" (6.4)
Used with BAF-4 P/N's; 087315 and 087316

For Cast Iron or Ductil Iron Pipe
A = 6.90" (175) DIA
B = 6.45" (164)
C = 0.52" (13)
Used with BAF-4 P/N's; 087315 and 087316

The intermediate guide rail support is required for every 13 feet (14m) of guide rail.

Mount the intermediate between each section of guide rail pipe, by inserting each pipe over the nipples of the intermediate. Next secure the intermediate to the discharge piping. Be sure to keep the guide rails from warping and keep them parallel and perpendicular.

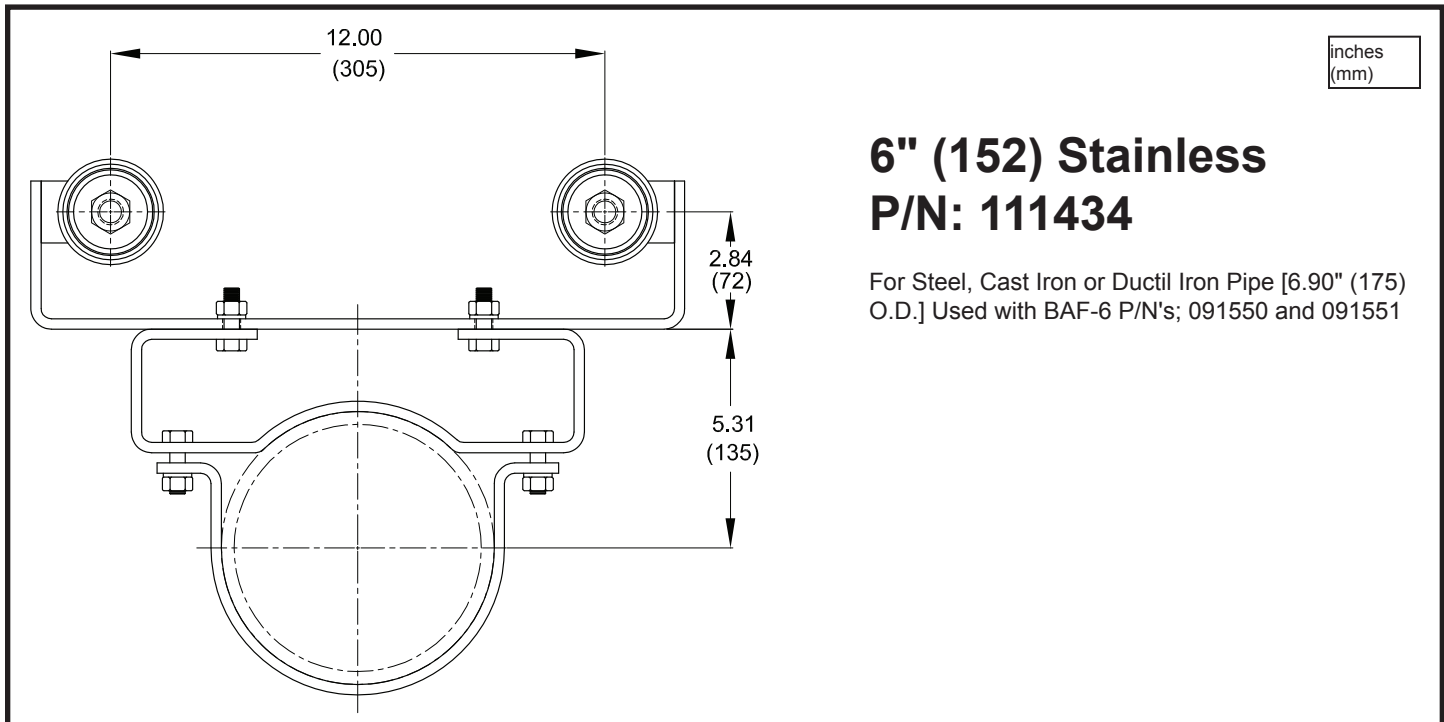
Intermediate Rail Supports

6" Chopper Pumps

DEMING®

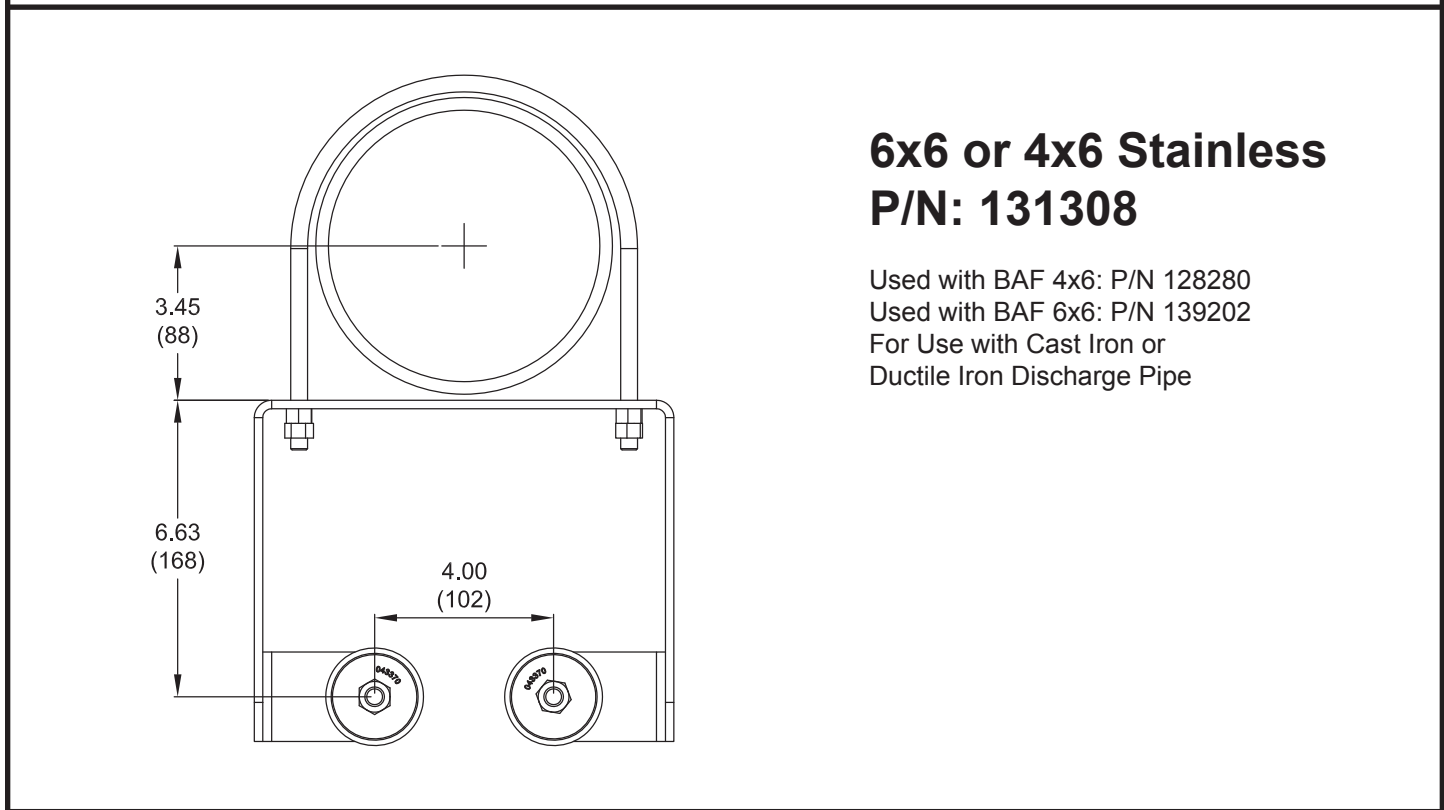
www.cranepumps.com

Demersible Chopper Pumps



6" (152) Stainless P/N: 111434

For Steel, Cast Iron or Ductil Iron Pipe [6.90" (175) O.D.] Used with BAF-6 P/N's; 091550 and 091551



6x6 or 4x6 Stainless P/N: 131308

Used with BAF 4x6: P/N 128280
Used with BAF 6x6: P/N 139202
For Use with Cast Iron or
Ductile Iron Discharge Pipe

The intermediate guide rail support is required for every 13 feet (14m) of guide rail.

Mount the intermediate between each section of guide rail pipe, by inserting each pipe over the nipples of the intermediate. Next secure the intermediate to the discharge piping. Be sure to keep the guide rails from warping and keep them parallel and perpendicular.

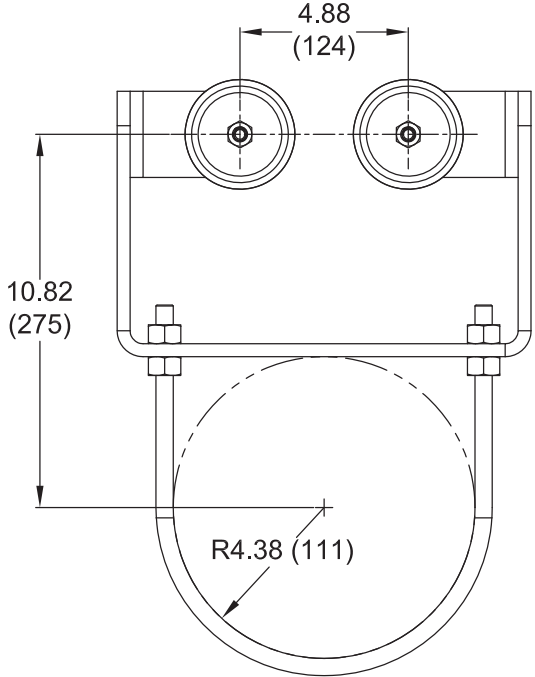
SECTION 42B
PAGE 86
DATE 2/18

CRANE
A Crane Co. Company

PUMPS & SYSTEMS

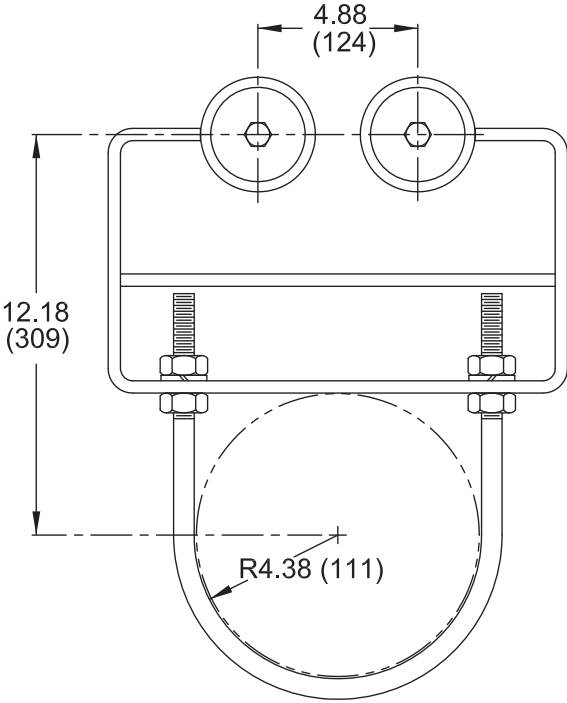
USA: (937) 778-8947 • Canada: (905) 457-6223 • International: (937) 615-3598

Demersible Chopper Pumps



8x8
P/N: 139286

For Steel or Wrought Iron Pipe [8.62" (219) O.D.]
Used with BAF-8x8 P/N; 139203



8" (203) Steel
P/N: 085034F

For Steel Pipe [8.62" (219) O.D.]
Used with BAF-8 P/N's; 082110 and 082110D

The intermediate guide rail support is required for every 13 feet (14m) of guide rail.
Mount the intermediate between each section of guide rail pipe, by inserting each pipe over the nipples of the intermediate. Next secure the intermediate to the discharge piping. Be sure to keep the guide rails from warping and keep them parallel and perpendicular.

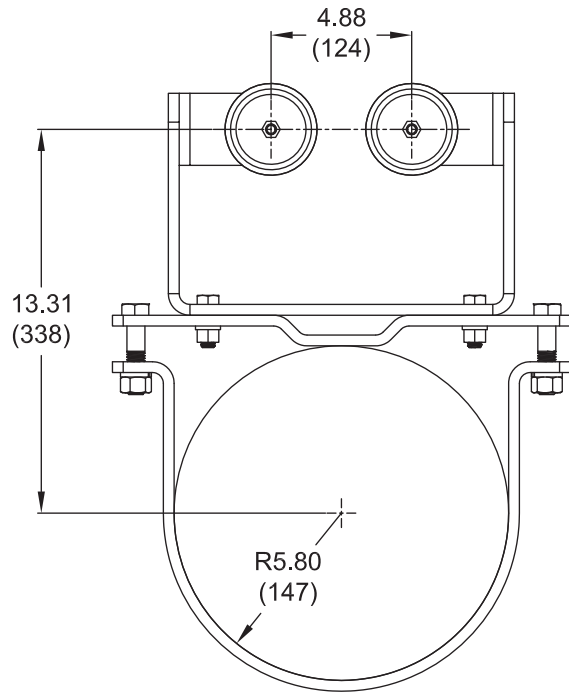
Intermediate Rail Supports

10" Non-Clog Pumps

DEMING®

www.cranepumps.com

Demersible Chopper Pumps



10x10
P/N: 139288

For Cast Iron or Ductile Iron Pipe [11.40" (282) O.D.]
Used with BAF-10x10 P/N; 139204

The intermediate guide rail support is required for every 13 feet (14m) of guide rail.
Mount the intermediate between each section of guide rail pipe, by inserting each pipe over the nipples of the intermediate. Next secure the intermediate to the discharge piping. Be sure to keep the guide rails from warping and keep them parallel and perpendicular.

SECTION 42B
PAGE 88
DATE 4/19

CRANE
®

A Crane Co. Company

PUMPS & SYSTEMS

USA: (937) 778-8947 • Canada: (905) 457-6223 • International: (937) 615-3598