

SUBMERSIBLE PUMPS

STS SERIES

☰ MENU



8-INCH - 275 GPM

FEATURES

- Premium ductile iron casting for longer life and higher pressures
- Longer discharge and motor bracket bearings for increased pump life
- Investment cast stainless steel impellers for maximum abrasion resistance
- Spiral cutlass rubber intermediate bearings designed for abrasive environments
- 416 stainless steel pump shaft ground and polished for maximum durability
- Custom pumps available

SPECIFICATIONS

- 8" minimum well I.D.
- 10' minimum submergence above inlet
- 4" or 6" NPT discharge
- 150 PPM maximum allowable amount of sand

MODEL NO. EXPLANATION

Example: 350STS10D8C-0264

- 350 = GPM
- STS = Sub Turbine
- 10 = Horsepower
- D = Ductile Iron
- 8 = 8" Pump
- C = Impeller Trim Configuration
- 02 = Number of Stages
- 6 = 6" Motor Bracket
- 4 = 4" Discharge



SUBMERSIBLE PUMPS

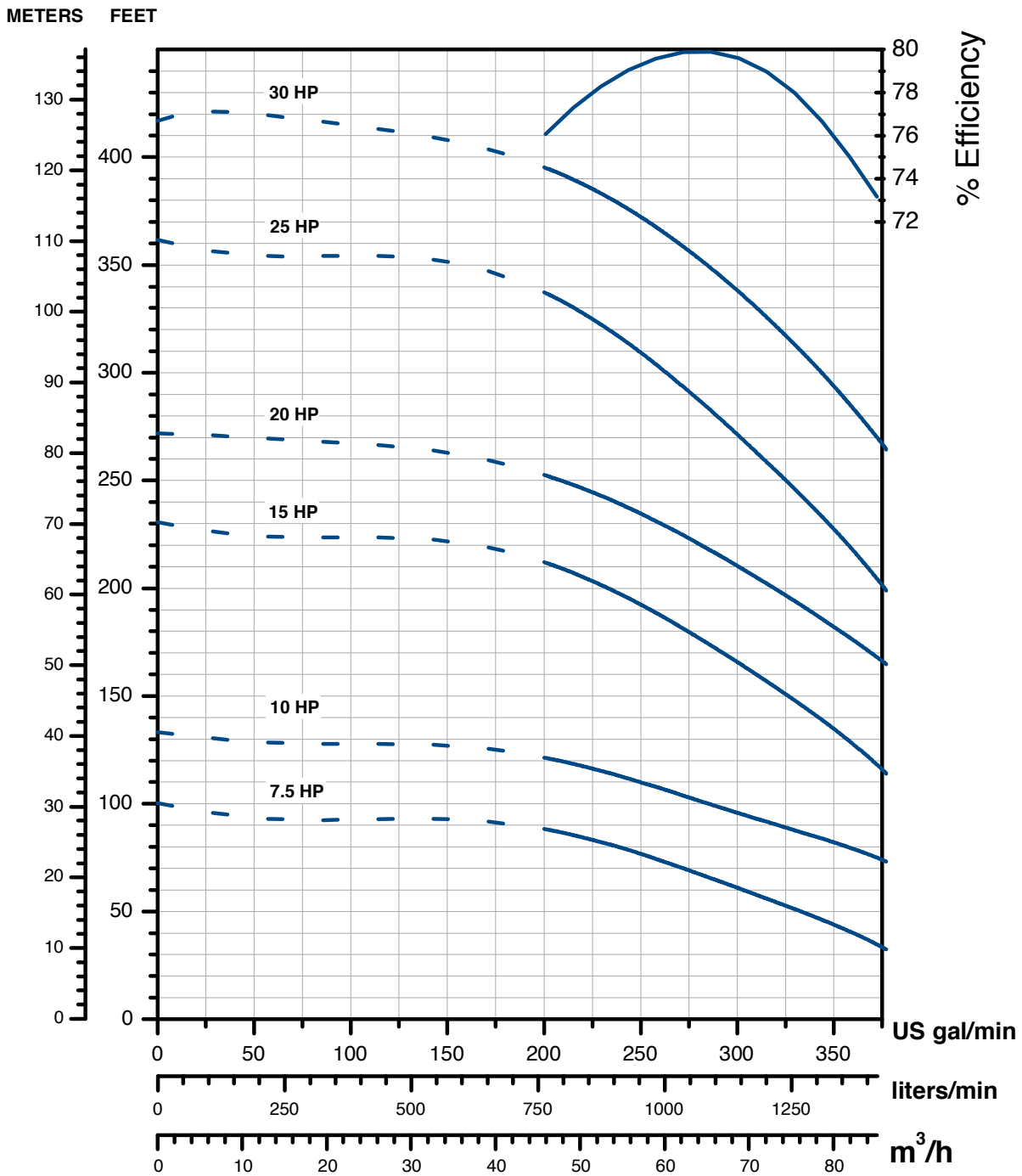
STS SERIES

☰ MENU



8-INCH - 275 GPM

PERFORMANCE



— RECOMMENDED OPERATING RANGE
 NOTE: Performance based on 68 °F fresh water; 6" motor at 3450 rpm

SUBMERSIBLE PUMPS

STS SERIES

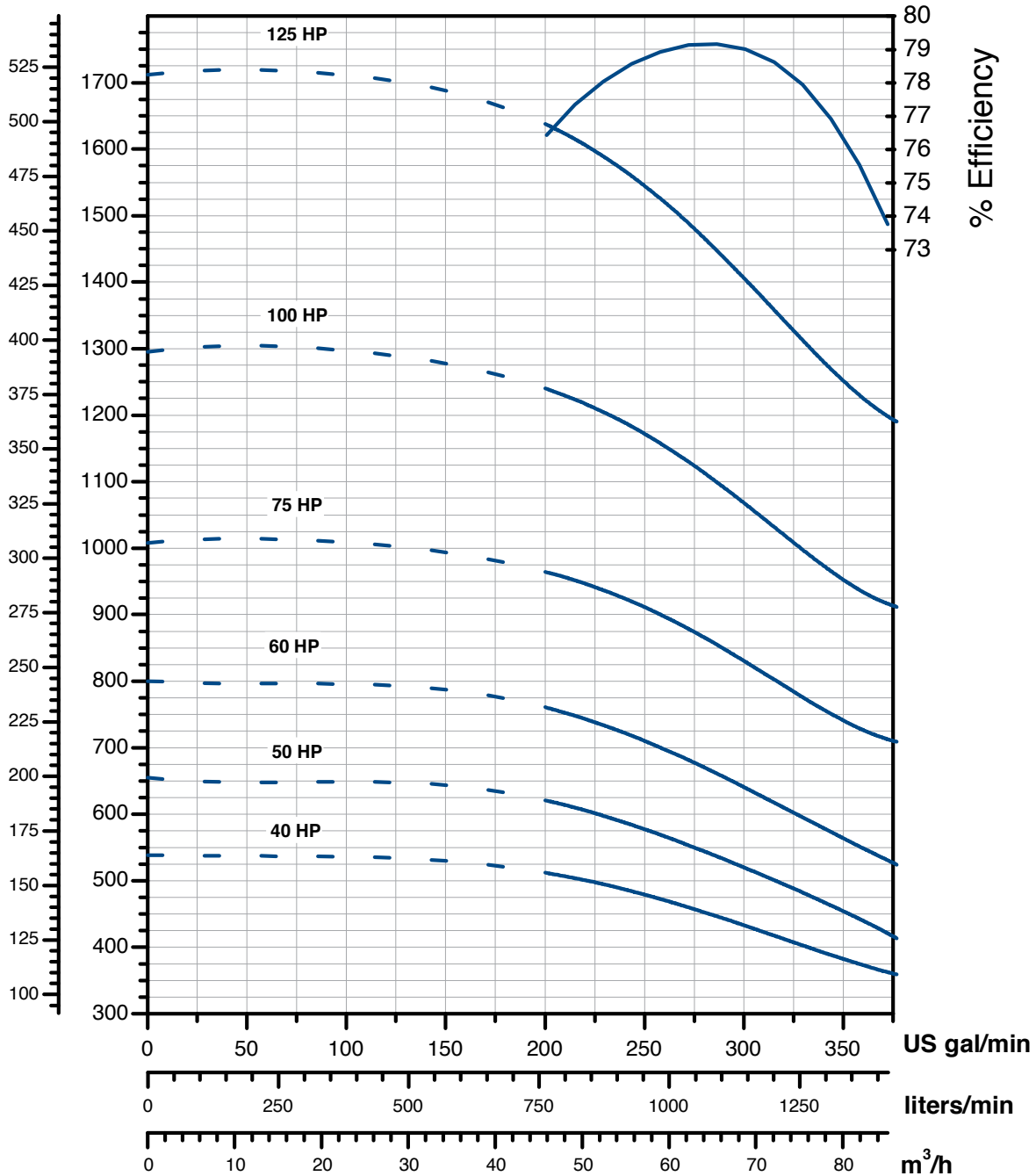
MENU



8-INCH - 275 GPM

PERFORMANCE

METERS FEET



— RECOMMENDED OPERATING RANGE

NOTE: Performance based on 68 °F fresh water; 6" motor at 3450 rpm

SUBMERSIBLE PUMPS

STS SERIES

MENU

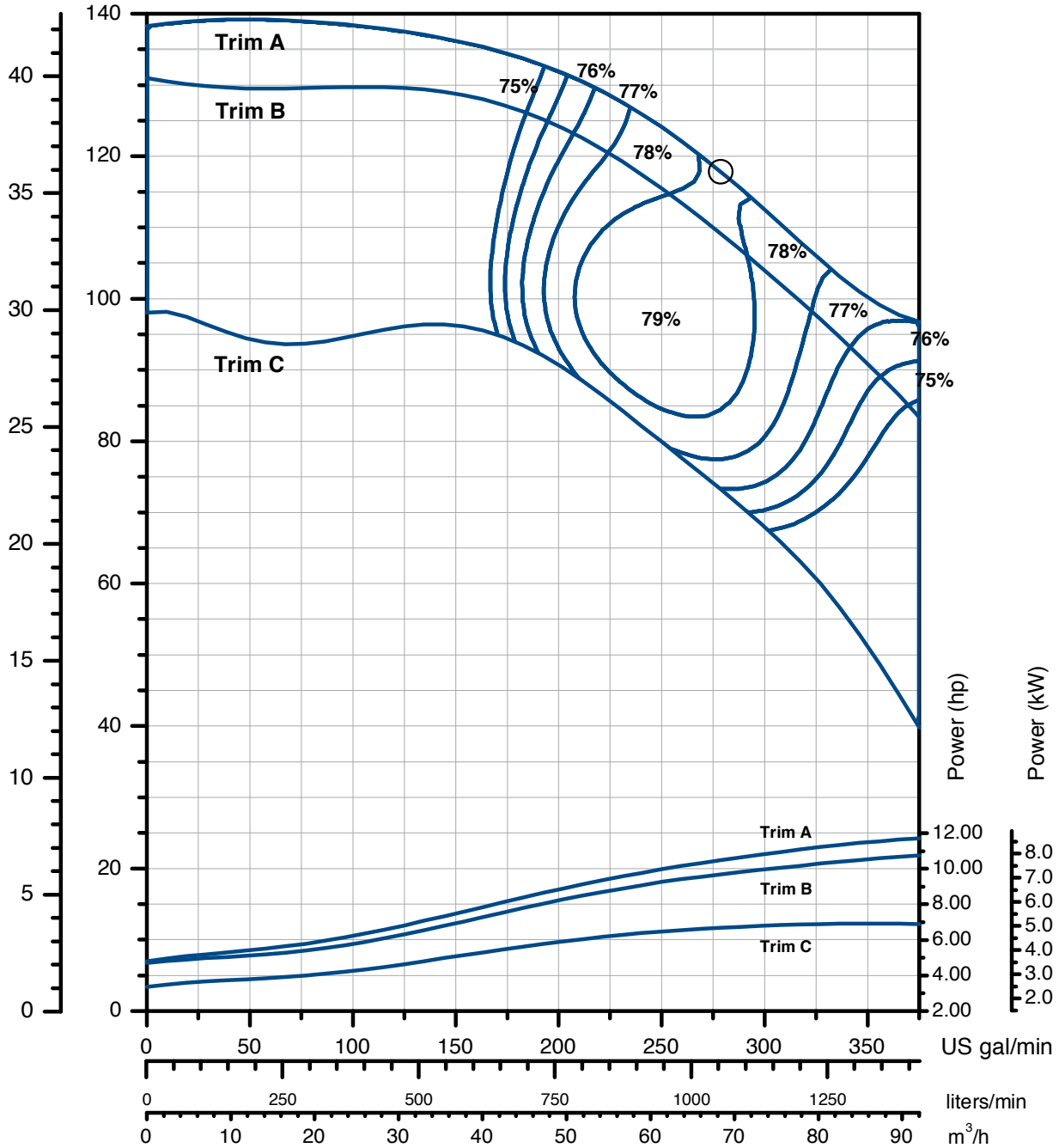


8-INCH - 275 GPM

PERFORMANCE

SINGLE-STAGE

METERS FEET



NOTE: Efficiencies are typical and not guaranteed. Efficiency correction required for low stage count pumps. (1-stage 5%, 2-stage 3%, 3-stage 1%)
 Bowl #13 begins transition to double-bolted (8 bolts @ bottom, 16 bolts @ top). Nominal RPM: 3450

SUBMERSIBLE PUMPS

STS SERIES

☰ MENU



8-INCH - 275 GPM

ORDERING INFORMATION

Pump Ends								
GPM	HP	Stages	Trim Size	Motor Bracket Size	Discharge Size	Order No.	Model No.	Ship Wt. (lbs)
275	7.5	1	1C	6"	4" NPT	97080275001	275STS7D8C-0164	111
	7.5	1	1C	6"	6" NPT	97080275101	275STS7D8C-0166	111
	10	1	1B	6"	4" NPT	97080275201	275STS10D8B-0164	111
	10	1	1B	6"	6" NPT	97080275301	275STS10D8B-0166	111
	15	2	1B 1C	6"	4" NPT	97080275002	275STS15D8X-0264	140
	15	2	1B 1C	6"	6" NPT	97080275102	275STS15D8X-0266	140
	20	2	1A 1B	6"	4" NPT	97080275302	275STS20D8X-0264	140
	20	2	1A 1B	6"	6" NPT	97080275402	275STS20D8X-0266	140
	25	3	2B 1C	6"	4" NPT	97080275003	275STS25D8X-0364	171
	25	3	2B 1C	6"	6" NPT	97080275103	275STS25D8X-0366	171
	30	3	3A	6"	4" NPT	97080275203	275STS30D8A-0364	171
	30	3	3A	6"	6" NPT	97080275303	275STS30D8A-0366	171
	40	4	2A 2B	6"	4" NPT	97080275004	275STS40D8X-0464	198
	40	4	2A 2B	6"	6" NPT	97080275104	275STS40D8X-0466	198
	40	4	2A 2B	8"	4" NPT	97080275804	275STS40D8X-0484	221
	40	4	2A 2B	8"	6" NPT	97080275904	275STS40D8X-0486	221
	50	5	5B	6"	4" NPT	97080275005	275STS50D8B-0564	228
	50	5	5B	6"	6" NPT	97080275105	275STS50D8B-0566	228
	50	5	5B	8"	4" NPT	97080275805	275STS50D8B-0584	251
	50	5	5B	8"	6" NPT	97080275905	275STS50D8B-0586	251
	60	6	2A 4B	6"	4" NPT	97080275006	275STS60D8X-0664	260
	60	6	2A 4B	6"	6" NPT	97080275106	275STS60D8X-0666	260
	60	6	2A 4B	8"	4" NPT	97080275806	275STS60D8X-0684	282
	60	6	2A 4B	8"	6" NPT	97080275906	275STS60D8X-0686	282
	75	7	7A	8"	4" NPT	97080275807	275STS75D8A-0784	310
	75	7	7A	8"	6" NPT	97080275907	275STS75D8A-0786	310
	100	9	9A	8"	4" NPT	97080275809	275STS100D8A-0984	401
100	9	9A	8"	6" NPT	97080275909	275STS100D8A-0986	401	
125	12	10A 2B	8"	4" NPT	97080275812	275STS125D8X-1284	495	
125	12	10A 2B	8"	6" NPT	97080275912	275STS125D8X-1286	495	

SUBMERSIBLE PUMPS

STS SERIES

☰ MENU

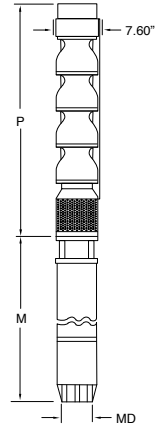


8-INCH - 275 GPM

DIMENSIONS

HP	Stages	Trim	Motor Size	P	M*	MD*	Motor Wt.	Pump Wt.
				in	in	in		
7.5	1	1C	6"	23.8	24.2	5.44	99	95
10	1	1B	6"	23.8	25.4	5.44	103	95
15	2	1B 1C	6"	29.3	28.0	5.44	114	122
20	2	1A 1B	6"	29.3	30.6	5.44	126	122
25	3	2B 1C	6"	34.9	33.1	5.44	140	150
30	3	3A	6"	34.9	35.7	5.44	154	150
40	4	2A 2B	6"	40.4	40.8	5.44	182	177
40	4	2A 2B	8"	41.8	36.4	7.70	274	200
50	5	5B	6"	45.9	55.3	5.44	263	204
50	5	5B	8"	47.3	39.4	7.70	309	227
60	6	2A 4B	6"	51.4	61.3	5.44	291	232
60	6	2A 4B	8"	52.8	42.1	7.70	344	254
75	7	7A	8"	58.3	47.4	7.70	399	282
100	9	9A	8"	69.3	54.9	7.70	481	336
125	12	10A 2B	8"	85.8	68.8	7.70	644	418

NOTE: *MD diameter = Franklin Electric Motor, M = Maximum Length of Franklin Electric Motor



DIMENSIONS

IMPELLER

Trim	A Diameter	C Angle
A	5.705"	20 °
B	5.562"	20 °
C	5.084"	20 °

MATERIALS

Part Name	Common Material Name	Material Spec. Number
Discharge Bracket	Ductile Iron	ASTM A536 65-45-12
Top Bowl	Ductile Iron	ASTM A536 65-45-12
Intermediate Bowl	Ductile Iron	ASTM A536 65-45-12
Bearings, Discharge & Suction	Bronze	ASTM 8584 C89835
Impeller	304 Stainless Steel	ASTM A743/A743M CF8
Pump Shaft	416 Stainless Steel	ASTM A582 S41600
Suction Bracket	Ductile Iron	ASTM A536 65-45-12
Bowl Bearing	Rubber	Rubber
Sand Collar	300 Stainless Steel	ASTM A666
Suction Screen	302 Stainless Steel	ASTM A240 S30200
Cable Guard	300 Stainless Steel	ASTM A666
Shaft Coupling	416 Stainless Steel	ASTM A582 S41600
Upthrust Bolt	300 Stainless Steel	ASTM A666
Taper Lock	416 Stainless Steel	ASTM A582 S41600
Bolting	300 Stainless Steel	ASTM A666

NOTE: Bowl bearing and shaft options available; contact customer service for available options

SUBMERSIBLE PUMPS

STS SERIES

☰ MENU

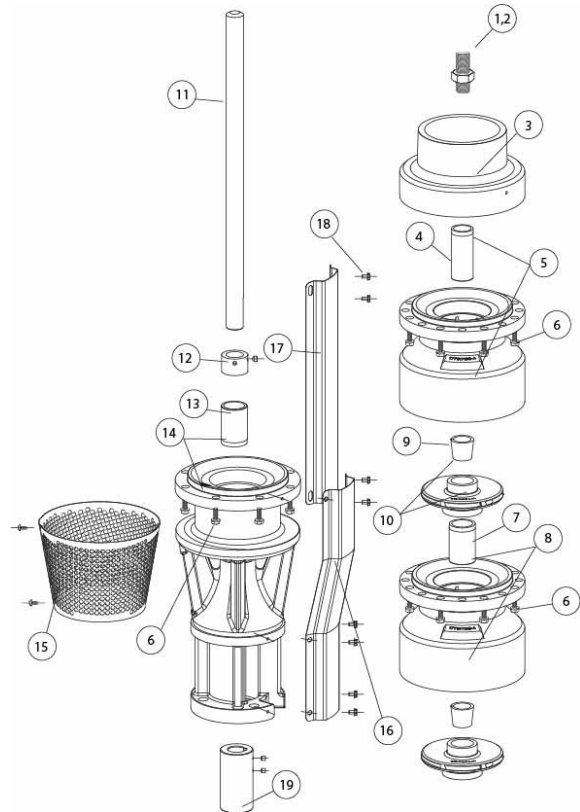


8-INCH - 275 GPM

REPAIR PARTS

Item No.	Part Description	Part No.	Qty. Per
1, 2	Upthrust Bolt/Nut Kit	305471553	1
3	Discharge 4" NPT (No Top Bearing) (225-700)	305471976	1
	Discharge 6" NPT (No Top Bearing) (225-700)	305471977	
4	Top Bearing - Bronze (Included in 5)	305471990	As Req.
5	Top Bowl with Bronze Bearing	305471991	As Req.
	Top Bowl with Bronze Bearing XP	305471992	
6	Bowl Bolt Kit (8 pcs.)*	305471549	As Req.
	Bowl Bolt Kit (500 pcs.)	305471551	
7	8" Bowl Bearing - Rubber (Included in 8)	305471400	As Req.
	8" Bowl Bearing - Viton (Included in 8)	305471401	
	8" Bowl Bearing - Bronze (Included in 8)	305471379	
8	Bowl and Bearing Assembly - Bronze	305471528	As Req.
	Bowl and Bearing Assembly XP - Bronze	305471531	
	Bowl and Bearing Assembly - Rubber	305471527	
	Bowl and Bearing Assembly XP - Rubber	305471530	
	Bowl and Bearing Assembly - Viton	305471529	
9	Bowl and Bearing Assembly XP - Viton	305471532	As Req.
	Taper Lock Collet Kit (Included in 10)	305471371	
12	Sand Cap w/ Set Screws	305471373	1
13	Motor Bracket Bearing - Bronze (Included in 14)	305471379	1
14	6" Motor Bracket with Bronze Bearing	305471438	As Req.
	8" Motor Bracket with Bronze Bearing	305471435	
15	Suction Screen with Screws for 6" Motor Bracket	305471375	1
	Suction Screen with Screws for 8" Motor Bracket	305471376	
18	Cable Guard Screw Kit	305471000	1
19	8" x 6" Motor Coupling	305471403	1
	8" x 8" Motor Coupling	305471404	
-	6" Motor Bolt Kit	305352901	1
-	8" Motor Bolt Kit	305352902	1
-	Nameplate with Drive Screws	305418901	1
-	Owner's Manual	106089101	1

*Pumps of 13 stages or more require double bolting; two bolt kits per stage will be required for the 13th stage and above



REPAIR PARTS

IMPELLER

Item No.	Description	Diameter (in)	Angle	Kit w/ Collet
10	A Trim	5.705	20 °	305471581
	B Trim	5.562	20 °	305471582
	C Trim	5.084	20 °	305471583

NOTE: Shaft and cable guard information located on the following pages

SUBMERSIBLE PUMPS

STS SERIES



MENU

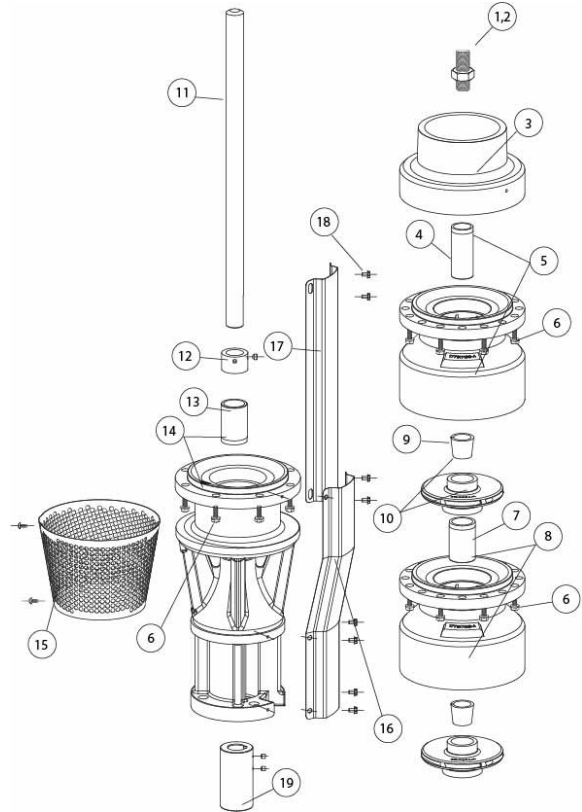
8-INCH - 275 GPM

REPAIR PARTS

8" x 6" Shaft 8" Pump with 6" Motor Bracket				
Item No.	Stages	Length (in)	Shaft Part No.	
			416 SS	Chrome Hardened
11	1	17.92	305472005	305472104
	2	23.43	305472007	305472106
	3	28.94	305472009	305472108
	4	34.46	305472011	305472110
	5	39.97	305472013	305472112
	6	45.48	305472015	305472114
	7	50.99	305472017	305472116
	8	56.50	305472019	305472118
	9	62.02	305472021	305472120
	10	67.53	305472023	305472122
	11	73.04	305472025	305472124
	12	78.55	305472027	305472126
	13	84.06	305472029	305472128
	14	89.58	305472031	305472130
	15	95.09	305472033	305472132

REPAIR PARTS

8" x 6" Cable Guard (Pre-Cut) 8" Pump with 6" Motor Bracket				
Item No.	Stages	Length (in)	Cable Guard Part No.	
			Bracket	Pump
16, 17	1	7.87	305471001	305471790
	2	13.38	305471001	305471793
	3	18.89	305471001	305471796
	4	24.46	305471001	305471799
	5	29.97	305471001	305471801
	6	35.48	305471001	305471804
	7	40.99	305471001	305471806
	8	46.51	305471001	305471838
	9	52.02	305471001	305471853
	10	57.53	305471001	305471839
	11	63.04	305471001	305471872
	12	68.55	305471001	305471843
	13	74.06	305471001	305471874
	14	79.57	305471001	305471876
	15	85.09	305471001	305471844



SUBMERSIBLE PUMPS

STS SERIES

MENU



8-INCH - 275 GPM

REPAIR PARTS

8" x 8" Shaft 8" Pump with 8" Motor Bracket				
Item No.	Stages	Length (in)	Part No.	
			416 SS	Chrome
11	1	18.42	305472006	305472105
	2	23.93	305472008	305472107
	3	29.45	305472010	305472109
	4	34.96	305472012	305472111
	5	40.47	305472014	305472113
	6	45.98	305472016	305472115
	7	51.49	305472018	305472117
	8	57.01	305472020	305472119
	9	62.52	305472022	305472121
	10	68.03	305472024	305472123
	11	73.54	305472026	305472125
	12	79.05	305472028	305472127
	13	84.57	305472030	305472129
	14	90.08	305472032	305472131
	15	95.59	305472034	305472133
	16	101.10	305472035	305472134
	17	106.61	305472036	305472135
	18	112.13	305472037	305472136

8" x 8" Cable Guard (Pre-cut) 8" Pump with 8" Motor Bracket			
Item No.	Stages	Length	Part No.
17	1	22.37	305471864
	2	27.88	305471868
	3	33.39	305471870
	4	38.90	305471830
	5	44.41	305471832
	6	49.92	305471835
	7	55.43	305471837
	8	60.95	305471808
	9	66.46	305471810
	10	71.97	305471812
	11	77.48	305471815
	12	82.99	305471817
	13	88.50	305471877
	14	94.02	305471841
	15	99.53	305471842
	16	105.04	305471840
	17	110.55	305471878
	18	116.07	305471824

8" Cable Guard			
Item No.	Description	Length (in.)	Part No.
17	Cable Guard (10' Section)	120	305471789
16	Cable Guard 6" Motor Bracket Section*	14.125	305471001

*Must have for 6" Motor Bracket

8" 416 SS Shaft (Double Keyed)	
Part No.	Length (ft.)
305471367	4
305471368	6
305471369	8
305471370	10

