

SUBMERSIBLE PUMPS

STS SERIES

☰ MENU



8-INCH - 350 GPM

FEATURES

- Premium ductile iron casting for longer life and higher pressures
- Longer discharge and motor bracket bearings for increased pump life
- Investment cast stainless steel impellers for maximum abrasion resistance
- Spiral cutlass rubber intermediate bearings designed for abrasive environments
- 416 stainless steel pump shaft ground and polished for maximum durability
- Custom pumps available

SPECIFICATIONS

- 8" minimum well I.D.
- 10' minimum submergence above inlet
- 4" or 6" NPT discharge
- 150 PPM maximum allowable amount of sand

MODEL NO. EXPLANATION

Example: 350STS10D8C-0264

- 350 = GPM
- STS = Sub Turbine
- 10 = Horsepower
- D = Ductile Iron
- 8 = 8" Pump
- C = Impeller Trim Configuration
- 02 = Number of Stages
- 6 = 6" Motor Bracket
- 4 = 4" Discharge



SUBMERSIBLE PUMPS

STS SERIES

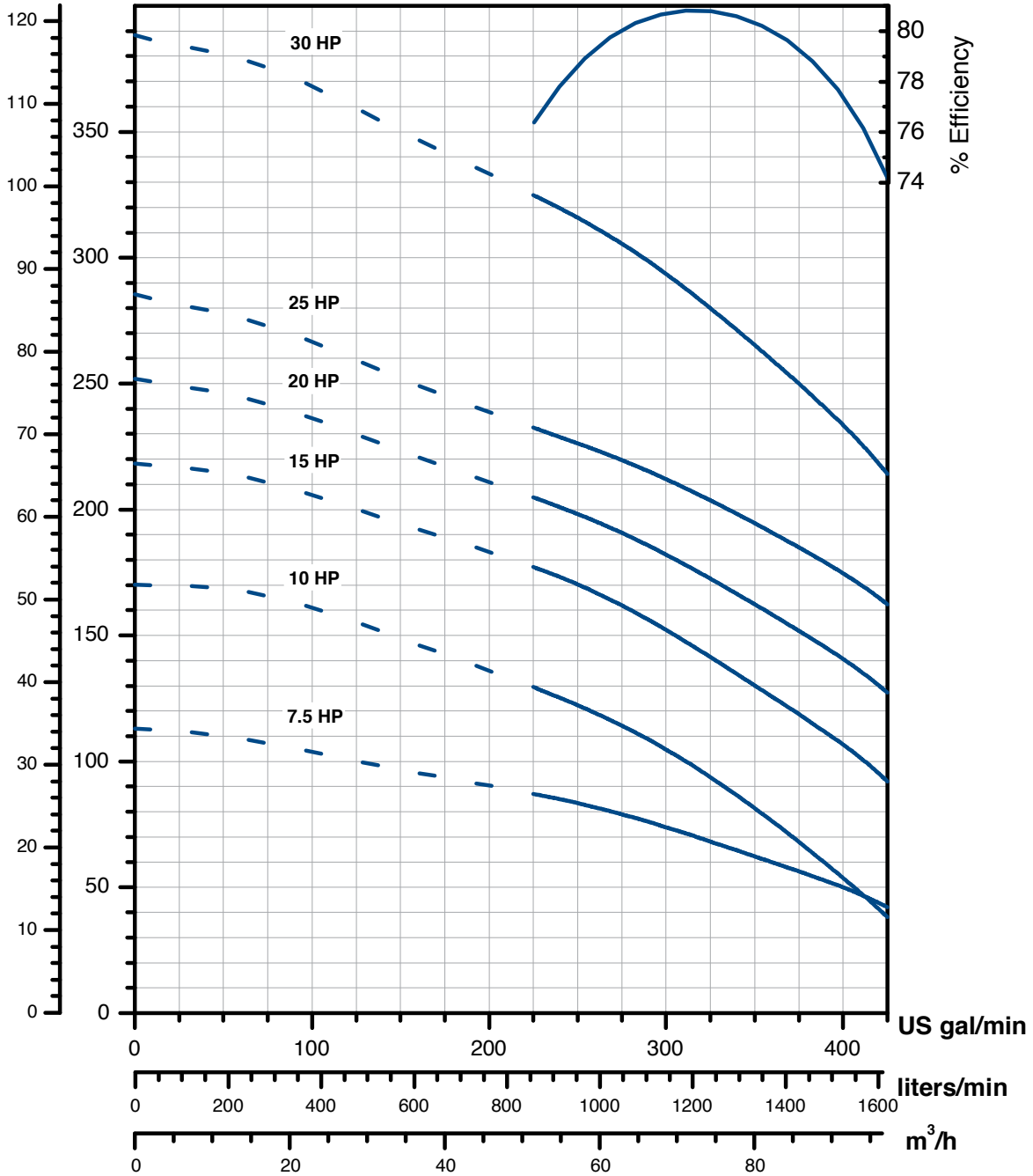
MENU



8-INCH - 350 GPM

PERFORMANCE

METERS FEET



— RECOMMENDED OPERATING RANGE

NOTE: Performance based on 68 °F fresh water; 6" motor at 3450 rpm

SUBMERSIBLE PUMPS

STS SERIES

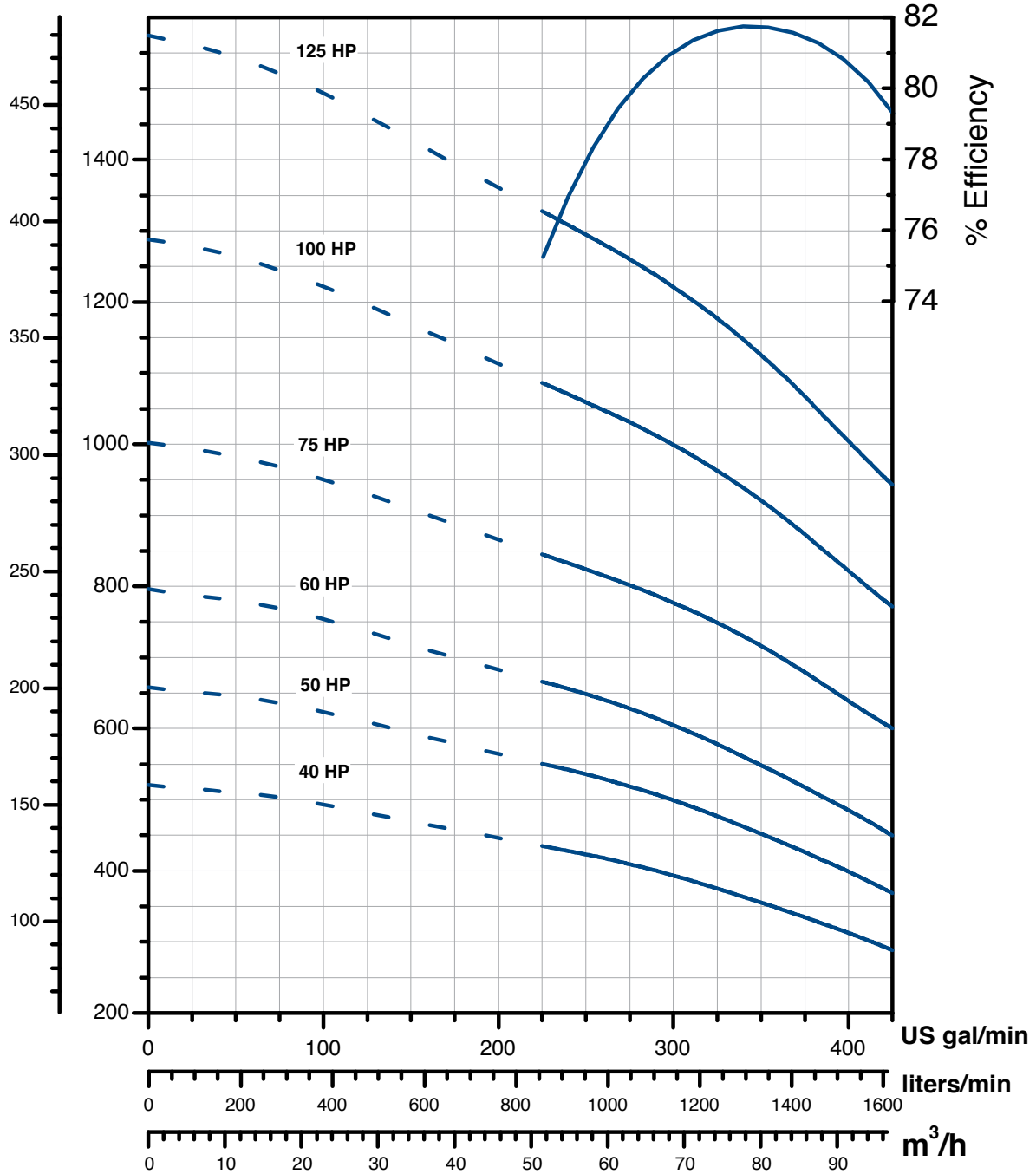
MENU



8-INCH - 350 GPM

PERFORMANCE

METERS FEET



— RECOMMENDED OPERATING RANGE

NOTE: Performance based on 68 °F fresh water; 6" motor at 3450 rpm

SUBMERSIBLE PUMPS

STS SERIES

MENU

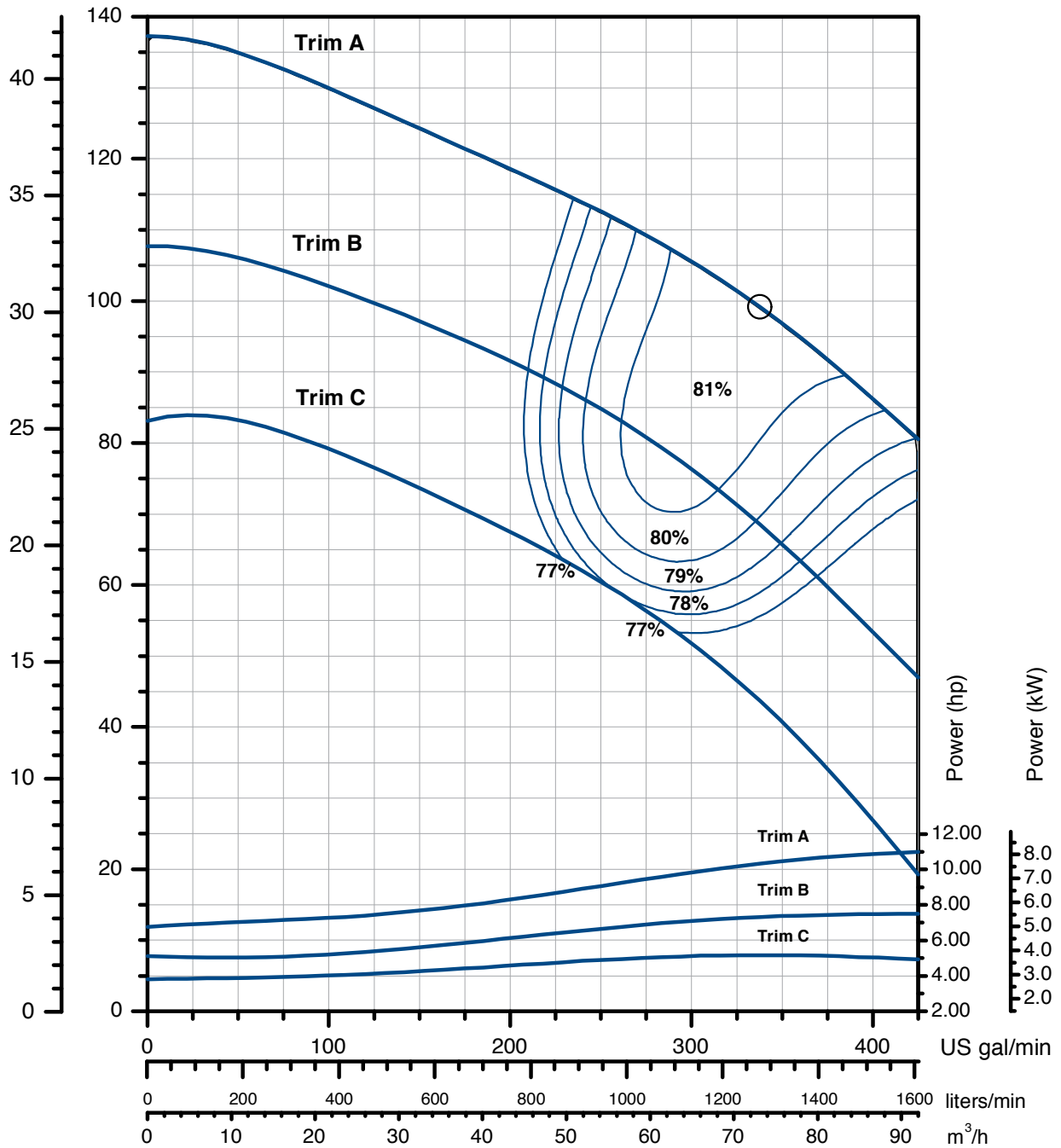


8-INCH - 350 GPM

PERFORMANCE

SINGLE-STAGE

METERS FEET



NOTE: Efficiencies are typical and not guaranteed. Efficiency correction required for low stage count pumps. (1-stage 5%, 2-stage 3%, 3-stage 1%)
 Bowl #13 begins transition to double-bolted (8 bolts @ bottom, 16 bolts @ top). Nominal RPM: 3450

SUBMERSIBLE PUMPS

STS SERIES

☰ MENU



8-INCH - 350 GPM

ORDERING INFORMATION

Pump Ends								
GPM	HP	Stages	Trim Size	Motor Bracket Size	Discharge Size	Order No.	Model No.	Ship Wt. (lbs)
350	7.5	1	1B	6"	4" NPT	97080350001	350STS7D8B-0164	110
	7.5	1	1B	6"	6" NPT	97080350101	350STS7D8B-0166	110
	10	2	2C	6"	4" NPT	97080350002	350STS10D8C-0264	142
	10	2	2C	6"	6" NPT	97080350102	350STS10D8C-0266	142
	15	2	2B	6"	4" NPT	97080350202	350STS15D8B-0264	142
	15	2	2B	6"	6" NPT	97080350302	350STS15D8B-0266	142
	20	2	1A 1B	6"	4" NPT	97080350402	350STS20D8X-0264	142
	20	2	1A 1B	6"	6" NPT	97080350502	350STS20D8X-0266	142
	25	2	2A	6"	4" NPT	97080350602	350STS25D8A-0264	142
	25	2	2A	6"	6" NPT	97080350702	350STS25D8A-0266	142
	30	3	2A 1B	6"	4" NPT	97080350003	350STS30D8X-0364	175
	30	3	2A 1B	6"	6" NPT	97080350103	350STS30D8X-0366	175
	40	4	3A 1B	6"	4" NPT	97080350004	350STS40D8X-0464	208
	40	4	3A 1B	6"	6" NPT	97080350104	350STS40D8X-0466	208
	40	4	3A 1B	8"	4" NPT	97080350804	350STS40D8X-0484	232
	40	4	3A 1B	8"	6" NPT	97080350904	350STS40D8X-0486	232
	50	5	4A 1B	6"	4" NPT	97080350005	350STS50D8X-0564	241
	50	5	4A 1B	6"	6" NPT	97080350105	350STS50D8X-0566	241
	50	5	4A 1B	8"	4" NPT	97080350805	350STS50D8X-0584	266
	50	5	4A 1B	8"	6" NPT	97080350905	350STS50D8X-0586	266
	60	6	5A 1B	6"	4" NPT	97080350006	350STS60D8X-0664	271
	60	6	5A 1B	6"	6" NPT	97080350106	350STS60D8X-0666	271
	60	6	5A 1B	8"	4" NPT	97080350806	350STS60D8X-0684	295
	60	6	5A 1B	8"	6" NPT	97080350906	350STS60D8X-0686	295
75	7	7A	8"	4" NPT	97080350807	350STS75D8A-0784	328	
75	7	7A	8"	6" NPT	97080350907	350STS75D8A-0786	328	
100	9	9A	8"	4" NPT	97080350809	350STS100D8A-0984	433	
100	9	9A	8"	6" NPT	97080350909	350STS100D8A-0986	433	
125	11	11A	8"	4" NPT	97080350811	350STS125D8A-1184	504	
125	11	11A	8"	6" NPT	97080350911	350STS125D8A-1186	504	

SUBMERSIBLE PUMPS

STS SERIES

☰ MENU

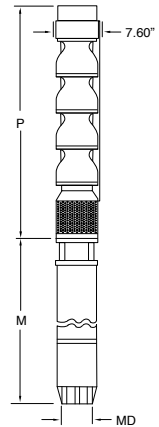


8-INCH - 350 GPM

DIMENSIONS

HP	Stages	Trim	Motor Size	P	M*	MD*	Motor Wt.	Pump Wt.
				in	in	in		
1	1B	6"	24.7	24.2	5.44	99	94	
2	2C	6"	31.1	25.4	5.44	103	124	
2	2B	6"	31.1	28.0	5.44	114	124	
2	1A 1B	6"	31.1	30.6	5.44	126	124	
2	2A	6"	31.1	33.1	5.44	140	124	
3	2A 1B	6"	37.5	35.7	5.44	154	154	
4	3A 1B	6"	43.8	40.8	5.44	182	184	
4	3A 1B	8"	45.2	36.4	7.70	274	208	
5	4A 1B	6"	50.2	55.3	5.44	263	213	
5	4A 1B	8"	51.6	39.4	7.70	309	238	
6	5A 1B	6"	56.6	61.3	5.44	291	243	
6	5A 1B	8"	58.0	42.1	7.70	344	267	
7	7A	8"	64.3	47.4	7.70	399	297	
9	9A	8"	77.1	54.9	7.70	481	356	
11	11A	8"	89.9	68.8	7.70	644	415	

NOTE: *MD diameter = Franklin Electric Motor, M = Maximum Length of Franklin Electric Motor



DIMENSIONS

IMPELLER

Trim	A Diameter	C Angle
A	5.701"	20 °
B	5.229"	20 °
C	4.757"	20 °

MATERIALS

Part Name	Common Material Name	Material Spec. Number
Discharge Bracket	Ductile Iron	ASTM A536 65-45-12
Top Bowl	Ductile Iron	ASTM A536 65-45-12
Intermediate Bowl	Ductile Iron	ASTM A536 65-45-12
Bearings, Discharge & Suction	Bronze	ASTM 8584 C89835
Impeller	304 Stainless Steel	ASTM A743/A743M CF8
Pump Shaft	416 Stainless Steel	ASTM A582 S41600
Suction Bracket	Ductile Iron	ASTM A536 65-45-12
Bowl Bearing	Rubber	Rubber
Sand Collar	300 Stainless Steel	ASTM A666
Suction Screen	302 Stainless Steel	ASTM A240 S30200
Cable Guard	300 Stainless Steel	ASTM A666
Shaft Coupling	416 Stainless Steel	ASTM A582 S41600
Upthrust Bolt	300 Stainless Steel	ASTM A666
Taper Lock	416 Stainless Steel	ASTM A582 S41600
Bolting	300 Stainless Steel	ASTM A666

NOTE: Bowl bearing and shaft options available; contact customer service for available options

SUBMERSIBLE PUMPS

STS SERIES

☰ MENU

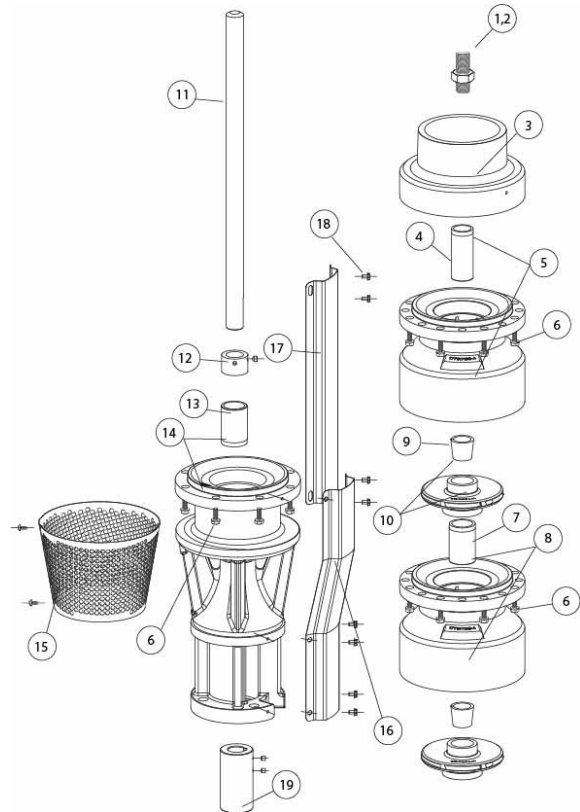


8-INCH - 350 GPM

REPAIR PARTS

Item No.	Part Description	Part No.	Qty. Per
1, 2	Upthrust Bolt/Nut Kit	305471553	1
3	Discharge 4" NPT (No Top Bearing) (225-700)	305471976	1
	Discharge 6" NPT (No Top Bearing) (225-700)	305471977	
4	Top Bearing - Bronze (Included in 5)	305471990	As Req.
5	Top Bowl with Bronze Bearing	305471993	As Req.
	Top Bowl with Bronze Bearing XP	305471994	
6	Bowl Bolt Kit (8 pcs.)*	305471549	As Req.
	Bowl Bolt Kit (500 pcs.)	305471551	
7	8" Bowl Bearing - Rubber (Included in 8)	305471400	As Req.
	8" Bowl Bearing - Viton (Included in 8)	305471401	
	8" Bowl Bearing - Bronze (Included in 8)	305471379	
8	Bowl and Bearing Assembly - Bronze	305471534	As Req.
	Bowl and Bearing Assembly XP - Bronze	305471537	
	Bowl and Bearing Assembly - Rubber	305471533	
	Bowl and Bearing Assembly XP - Rubber	305471536	
	Bowl and Bearing Assembly - Viton	305471535	
9	Bowl and Bearing Assembly XP - Viton	305471538	As Req.
	Taper Lock Collet Kit (Included in 10)	305471371	
12	Sand Cap w/ Set Screws	305471373	1
13	Motor Bracket Bearing - Bronze (Included in 14)	305471379	1
14	6" Motor Bracket with Bronze Bearing	305471440	As Req.
	8" Motor Bracket with Bronze Bearing	305471437	
15	Suction Screen with Screws for 6" Motor Bracket	305471375	1
	Suction Screen with Screws for 8" Motor Bracket	305471376	
18	Cable Guard Screw Kit	305471000	1
19	8" x 6" Motor Coupling	305471403	1
	8" x 8" Motor Coupling	305471404	
-	6" Motor Bolt Kit	305352901	1
-	8" Motor Bolt Kit	305352902	1
-	Nameplate with Drive Screws	305418901	1
-	Owner's Manual	106089101	1

*Pumps of 13 stages or more require double bolting; two bolt kits per stage will be required for the 13th stage and above



REPAIR PARTS

IMPELLER

Item No.	Description	Diameter (in)	Angle	Kit w/ Collet
10	A Trim	5.701	20 °	305471584
	B Trim	5.229	20 °	305471585
	C Trim	4.757	20 °	305471586

NOTE: Shaft and cable guard information located on the following pages

SUBMERSIBLE PUMPS

STS SERIES

MENU



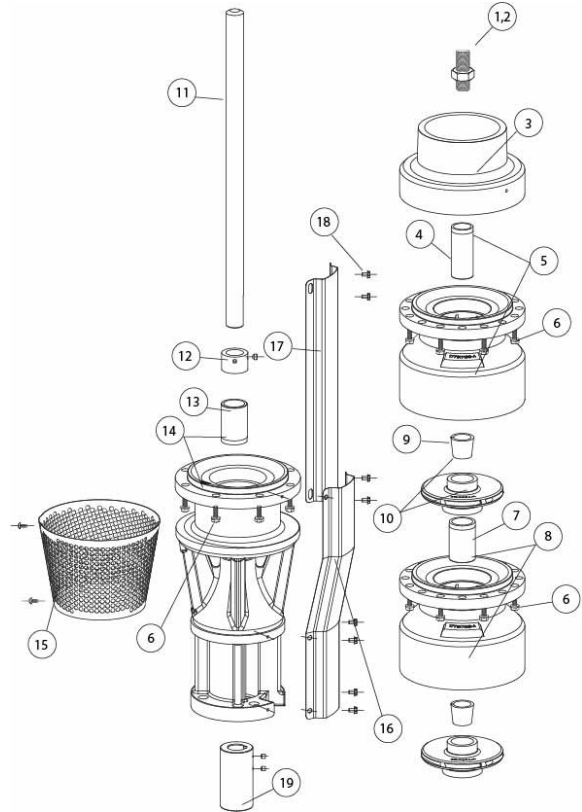
8-INCH - 350 GPM

REPAIR PARTS

8" x 6" Shaft 8" Pump with 6" Motor Bracket				
Item No.	Stages	Length (in)	Shaft Part No.	
			416 SS	Chrome Hardened
11	1	18.40	305472038	305472137
	2	24.78	305472040	305472139
	3	31.16	305472042	305472141
	4	37.53	305472044	305472143
	5	43.91	305472046	305472145
	6	50.29	305472048	305472147
	7	56.67	305472050	305472149
	8	63.05	305472052	305472151
	9	69.42	305472054	305472153
	10	75.80	305472056	305472155
	11	82.18	305472058	305472157
	12	88.56	305472060	305472159

REPAIR PARTS

8" x 6" Cable Guard (Pre-Cut) 8" Pump with 6" Motor Bracket				
Item No.	Stages	Length (in)	Cable Guard Part No.	
			Bracket	Pump
16, 17	1	8.73	305471001	305471791
	2	15.17	305471001	305471794
	3	21.54	305471001	305471797
	4	27.92	305471001	305471800
	5	34.30	305471001	305471803
	6	40.68	305471001	305471852
	7	47.06	305471001	305471845
	8	53.43	305471001	305471850
	9	59.81	305471001	305471846
	10	66.19	305471001	305471851
	11	72.57	305471001	305471873
	12	78.95	305471001	305471875



SUBMERSIBLE PUMPS

STS SERIES

MENU



8-INCH - 350 GPM

REPAIR PARTS

8" x 8" Shaft 8" Pump with 8" Motor Bracket				
Item No.	Stages	Length (in)	Part No.	
			416 SS	Chrome
11	1	18.90	305472039	305472138
	2	25.28	305472041	305472140
	3	31.66	305472043	305472142
	4	38.04	305472045	305472144
	5	44.41	305472047	305472146
	6	50.79	305472049	305472148
	7	57.17	305472051	305472150
	8	63.55	305472053	305472152
	9	69.93	305472055	305472154
	10	76.30	305472057	305472156
	11	82.68	305472059	305472158
	12	89.06	305472061	305472160
	13	95.44	305472062	305472161
	14	101.82	305472063	305472162
	15	108.19	305472064	305472163
	16	114.57	305472065	305472164

8" x 8" Cable Guard (Pre-cut) 8" Pump with 8" Motor Bracket			
Item No.	Stages	Length	Part No.
17	1	23.23	305471865
	2	29.61	305471826
	3	35.98	305471828
	4	42.36	305471831
	5	48.74	305471834
	6	55.43	305471837
	7	61.50	305471809
	8	67.87	305471811
	9	74.25	305471814
	10	80.63	305471816
	11	87.01	305471818
	12	93.39	305471820
	13	99.77	305471848
	14	106.14	305471847
	15	112.52	305471879
	16	118.90	305471880

8" Cable Guard			
Item No.	Description	Length (in.)	Part No.
17	Cable Guard (10' Section)	120	305471789
16	Cable Guard 6" Motor Bracket Section*	14.125	305471001

*Must have for 6" Motor Bracket

8" 416 SS Shaft (Double Keyed)	
Part No.	Length (ft.)
305471367	4
305471368	6
305471369	8
305471370	10

