

4" SUBMERSIBLE MOTORS

These motors are built for dependable operation in 4" diameter or larger water wells.

BASIC FEATURES

- Corrosion-resistant stainless steel exterior
- Stainless steel splined shaft
- Hermetically-sealed windings
- StatorShield™ resin system
- Filter check valve
- Water lubrication
- Kingsbury-type thrust bearing
- Pressure-equalizing diaphragm
- Built-in lightning arrestors (all single-phase; 200 & 300 V three-phase)
- Removable Water-Bloc™ lead
- Franklin-manufactured control boxes available for single-phase motors
- UL 778 recognized (North American voltages)
- CSA certified
- ANSI/NSF 61 certified
- Industry standard NEMA mounting dimensions



SPECIAL FEATURES

- Flow inducer sleeve not required in water up to 86 °F (30 °C) for motors through 2 hp
- Two-wire motors are split-phase designs with integral starting components and do not require a control box; features Franklin's patented 2-wire BIAC starting switch, which provides reverse impact torque to aid starting in adverse environments and prevents extreme fast cycling (e.g. water-logged tank)
- Three-wire motors through 1 hp use Franklin's exclusive three-wire QD (Quick Disconnect) Control Box with the patented QD Relay. This relay provides the ultimate in operational life
- Single-phase motors can be used with Pumptec products to protect against dry-run and other installation conditions that can damage motors and/or pumps; see single-phase protection devices for details

POLLUTION RECOVERY OPTION

- Pollution Recovery motors are equipped for use in monitoring and recovery wells in which hydrocarbons and other chemicals may be present
- Features nitrile rubber parts and other chemical-resistant materials as listed in the construction materials chart

4" SUBMERSIBLE MOTORS - SPECIFICATIONS AND MATERIALS

MOTOR SPECIFICATIONS

Hz	Model	Phase	HP Range	kW Range	Poles	RPM	Max. Ambient Temp.	Duty Rating
50	Super Stainless	1	0.5 - 1.5	0.37 - 1.1	2	2875	86 °F / 30 °C	Continuous
		1	0.3 - 3	0.25 - 2.2				Continuous*
		3	0.5 - 3	0.37 - 2.2				Continuous*
	Pollution Recovery	1	0.5 - 1.5	0.37 - 1.1				Continuous
		1	0.3 - 2	0.25 - 1.5				Continuous*
		3	0.5 - 2	0.37 - 1.5				Continuous*
	High Thrust	1	1.5 - 5	1.1 - 3.7				Continuous*
		3	1.5 - 10	1.1 - 7.5				Continuous*
		1	0.3 - 1.5	0.25 - 1.1				Continuous
60	Super Stainless	1	0.3 - 3	0.25 - 2.2	2	3450	86 °F / 30 °C	Continuous*
		3	0.5 - 3	0.37 - 2.2				Continuous*
		1	0.3 - 1.5	0.25 - 1.1				Continuous
	Pollution Recovery	1	0.3 - 2	0.25 - 1.5				Continuous*
		3	0.5 - 2	0.37 - 1.5				Continuous*
		1	1.5 - 5	1.1 - 3.7				Continuous*
	High Thrust	3	1.5 - 10	1.1 - 7.5				Continuous*

* 3 hp motors require 0.25 ft/sec flow past motor

CONSTRUCTION MATERIALS

Model No.	-	-	-8602G	-8802G	-3529G (not including 15HP)	-0630G	-8502G	-8702G	-8801G
Model Type	Super Stainless	Super Stainless	High Thrust	High Thrust	High Thrust	High Thrust	High Thrust	High Thrust	High Thrust
Component	Watwer Well	Pollution Recovery	Water Well	Sand Fighter®	CBM+	SERIES 600M	316 SS	Oil Stripper	ES
Top Castings	304 SS over Iron	304 SS over Iron	303 SS	303 SS	316 SS	303 SS	316 SS	316 SS	316 SS
Bottom Castings	Cast iron	Cast iron	304 SS over cast iron	304 SS over cast iron	316 SS	304 SS over cast iron	316 SS	316 SS	304 SS over cast iron
Stator Shell	301 SS	301SS	304 SS	304 SS	316 SS	316 SS	316 SS	316 SS	304 SS
Stator Ends	Low-carbon steel	Low-carbon steel	Low-carbon steel	Low-carbon steel	316 SS	Low-carbon steel	316 SS	316 SS	Low-carbon steel
Shaft Extension	17-4 SS	17-4 SS	17-4 SS	17-4 SS	17-4 SS	17-4 SS	17-4 SS	17-4 SS	17-4 SS
Fasteners	300 Series SS	316 SS	300 Series SS	300 Series SS	316 SS	300 Series SS	316 SS	316 SS	300 Series SS
Seal Cover	Acetal	Tefzel	Acetal	Sintered bronze	316 SS	Sintered bronze	316 SS	316 SS	Sintered bronze
Seal	Lip-Nitrile	Lip-FKM	Lip-Nitrile	Mech-Nitrile, SiC face	Mech-FKM, SiC face	Mech-FKM, SiC face	Mech-Nitrile, SiC face	Mech-FKM, SiC face	Mech-FKM, SiC face
Diaphragm	Nitrile	FKM	Nitrile	Nitrile	FKM	Nitrile	Nitrile	FKM	FKM
Diaphragm Cup	N/A	N/A	316 SS	316 SS	316 SS	316 SS	316 SS	316 SS	316 SS
Diaphragm Spring	N/A	N/A	316 SS	316 SS	316 SS	316 SS	316 SS	316 SS	316 SS
Diaphragm Cover	304 SS	304 SS	304 SS	304 SS	316 SS	316 SS	316 SS	316 SS	304 SS
Slinger	Nitrile	FKM	Nitrile	Nitrile	FKM	Nitrile	Nitrile	FKM	FKM
Lead Wire/Cable	XLPE or EPCV	sold separately	XLPE or EPCV	XLPE or EPCV	sold separately	XLPE or EPCV	XLPE or EPCV	Nitrile	Sold separately
Lead Potting	Epoxy	N/A	Epoxy	Epoxy	N/A	Epoxy	Epoxy	Epoxy	N/A
Lead Type	303 SS jam nut	304 SS jam nut	316 SS screws/clamp	316 SS screws/clamp	316 SS screw/clamp	316 SS screws/clamp	316 SS screws/clamp	316 SS screws/clamp	316 SS screw/clamp
Filter	Polyester	Polyester	Acetal/polyester	Acetal/polyester	316 SS plug	Acetal/polyester	316 SS plug	316 SS plug	316 SS plug
Max Temp Range	30C	30C	30C (1/4 ft/sec)	30C (1/4 ft/sec)	50C (1/4 ft/sec)	30C (1/4 ft/sec)	30C (1/4 ft/sec)	80C (1 ft/sec)	30C (1/4 ft/sec)
Thrust Rating	300 to 900	300 to 900	1500	1500	1500	300 to 1500	1500	1500	1500



4" SUBMERSIBLE MOTORS - ORDERING INFORMATION

2-WIRE MODELS

HP	Description	Volts	Hz	S.F.	Motor Lead	Model No.	In Stock	Thrust Rating	Wt. (Lbs)
1/3	Water Well	115	60	1.75	-	2445020117GS	-	300	16
		115	60	1.75	Yes	2445029004GS	Yes	300	16
		230	60	1.75	-	2445030117GS	-	300	16
		230	60	1.75	Yes	2445039004GS	Yes	300	16
	Pollution Recovery	115	60	1.75	-	2445020917GS	-	300	16
		230	60	1.75	-	2445030917GS	-	300	16
1/2	Water Well	115	60	1.6	-	2445040117GS	-	300	18
		115	60	1.6	Yes	2445049004GS	Yes	300	18
		220	50	1.0	-	2445550117GS	-	300	18
		230	60	1.6	-	2445050117GS	-	300	18
		230	60	1.6	Yes	2445059004GS	Yes	300	18
	Pollution Recovery	115	60	1.6	-	2445040917GS	-	300	18
		230	60	1.6	-	2445050917GS	-	300	18
		230	60	1.6	-	2445570117GS	-	300	21
3/4	Water Well	220	50	1.0	-	2445570117GS	-	300	21
		230	60	1.5	-	2445070117GS	-	300	21
		230	60	1.5	Yes	2445079004GS	Yes	300	21
	Pollution Recovery	230	60	1.5	-	2445070917GS	-	300	21
1	Water Well	220	50	1.0	-	2445581203GS	-	650	24
		230	60	1.4	-	2445081203GS	-	650	24
		230	60	1.4	Yes	2445089003GS	Yes	650	24
	Pollution Recovery	230	60	1.4	-	2445082303GS	-	650	24
1.5	Water Well	220	50	1.0	-	2443591217GS	-	650	31
		230	60	1.3	-	2443091217GS	-	650	31
		230	60	1.3	Yes	2443099004GS	Yes	650	31
	Pollution Recovery	230	60	1.3	-	2443092317GS	-	650	31

NOTE: Pack Designation (-S) = Single Pack, available in any quantity; All 3 hp motors are single-packed; Contact factory for lead time for non-stocked items; Pallet packs available but not shown; Contact customer service for availability

4" SUBMERSIBLE MOTORS - ORDERING INFORMATION

3-WIRE MODELS

HP	Description	Volts	Hz	S.F.	Motor Lead	Model No.	In Stock	Thrust Rating	Wt. (Lbs)
1/3	Water Well	115	60	1.75	Yes	2145029004GS	Yes	300	17
		220	50	1.0	-	2145534116GS	-	300	17
		230	60	1.75	-	2145034416GS	-	300	17
	Pollution Recovery	230	60	1.75	Yes	2145039004GS	Yes	300	17
		115	60	1.75	-	2145024916GS	-	300	17
		230	60	1.75	-	2145034916GS	-	300	17
1/2	Water Well	115	60	1.6	-	2145044416GS	-	300	19
		115	60	1.6	Yes	2145049004GS	Yes	300	19
		220	50	1.0	-	2145554116GS	Yes	300	19
		220	50	1.0	Yes	2145559204GS	Yes	300	19
		230	60	1.6	-	2145054416GS	-	300	19
		230	60	1.6	Yes	2145059004GS	Yes	300	19
	Pollution Recovery	115	60	1.6	-	2145044916GS	-	300	19
		230	60	1.6	-	2145054916GS	-	300	19
		220	50	1.0	-	2145574116GS	Yes	300	21
		220	50	1.0	Yes	2145579204GS	-	300	21
3/4	Water Well	230	60	1.5	-	2145074416GS	-	300	21
		230	60	1.5	Yes	2145079004GS	Yes	300	21
		230	60	1.5	-	2145074916GS	-	300	21
		230	60	1.5	Yes	2145070600GS	Yes	300	22
	Pollution Recovery	230	60	1.5	-	2145581903GS	Yes	650	24
		230	60	1.5	Yes	2145589203GS	Yes	650	24
1	Water Well	230	60	1.4	-	2145081203GS	-	650	24
		230	60	1.4	Yes	2145089003GS	Yes	650	24
		230	60	1.4	-	2145082303GS	-	650	24
		230	60	1.4	Yes	2145080610GS	Yes	650	25
	Pollution Recovery	220	50	1.0	-	2243501903GS	Yes	650	28
		220	50	1.0	Yes	2243509203GS	Yes	650	28
		230	60	1.3	-	2243001903GS	Yes	650	28
		230	60	1.3	Yes	2243009203GS	Yes	650	28
1.5	Water Well	230	60	1.3	-	2243008600G	-	1500	38
		230	60	1.3	-	2243002303GS	-	650	28
		230	60	1.3	Yes	2243000610GS	Yes	650	25
		230	60	1.3	Yes	2243008502G	-	1500	40
	Pollution Recovery	220	50	1.0	-	2243511916GS	Yes	650	33
		220	50	1.0	Yes	2243519204GS	Yes	650	33
2	Water Well	220	50	1.0	Yes	2243518602G	-	1500	43
		230	60	1.25	-	2243011916GS	Yes	650	33
		230	60	1.25	Yes	2243019204GS	Yes	650	33
		230	60	1.25	-	2243018600G	-	1500	43
		230	60	1.25	Yes	2243018602G	-	1500	43
		230	60	1.25	-	2243012316GS	-	650	33
	Pollution Recovery	230	60	1.25	Yes	2243010610GS	Yes	650	29
		230	60	1.15	Yes	2243018802G	Yes	1500	43
		230	60	1.25	Yes	2243018702G	-	1500	46
		230	60	1.25	Yes	2243018502G	-	1500	45
3	Water Well	220	50	1.0	-	2243522504G	Yes	900	41
		220	50	1.0	-	2243528600G	-	1500	56
		230	60	1.15	-	2243022504G	-	900	41
		230	60	1.15	Yes	2243022604G	Yes	900	41
		230	60	1.15	-	2243028600G	-	1500	56
		230	60	1.15	Yes	2243028602G	Yes	1500	56
	Series 600M	230	60	1.15	Yes	2243020620G	Yes	900	35
		230	60	1.15	Yes	2243020630G	Yes	1500	44
		230	60	1.15	Yes	2243028802G	Yes	1500	56
		230	60	1.15	Yes	2243028702G	-	1500	56
5	Water Well	230	60	1.15	Yes	2243028502G	-	1500	56
		220	50	1.0	-	2243538600G	Yes	1500	71
		230	60	1.15	-	2243038600G	-	1500	71
		230	60	1.15	Yes	2243038602G	Yes	1500	71
	Series 600M	230	60	1.15	Yes	2243030630G	Yes	1500	56
		230	60	1.15	Yes	2243038802G	Yes	1500	71
		230	60	1.15	Yes	2243038702G	-	1500	71
		230	60	1.15	Yes	2243038502G	-	1500	71

NOTE: Pack Designation (-S) = Single Pack, available in any quantity; All 3 hp motors are single-packed; Contact factory for lead time for non-stocked items; Pallet packs available but not shown; Contact customer service for availability

4" SUBMERSIBLE MOTORS - ORDERING INFORMATION

THREE-PHASE MODELS

HP	Description	Volts	Hz	S.F.	Motor Lead	Model No.	In Stock	Thrust	Wt. (Lbs)
1/2	Water Well	200	60	1.6	-	2345014116GS	-	300	18
		200	60	1.6	Yes	2345019204GS	-	300	19
		220	50	1.0	-	2345514116GS	-	300	18
		230	60	1.6	-	2345114116GS	-	300	18
		230	60	1.6	Yes	2345119204GS	-	300	19
		380-415	50	1.0	-	2345613116GS	Yes	300	18
		460	60	1.6	-	2345213116GS	-	300	18
	Pollution Recovery	460	60	1.6	Yes	2345219404GS	Yes	300	19
		575	60	1.6	Yes	2345319404GS	-	300	19
	3/4	Water Well	200	60	1.6	-	2345014916GS	-	300
230			60	1.6	-	2345114916GS	-	300	18
460			60	1.6	-	2345214916GS	-	300	18
200			60	1.5	-	2345024116GS	-	300	21
200			60	1.5	Yes	2345029204GS	-	300	22
220			50	1.0	-	2345524116GS	-	300	21
230			60	1.5	-	2345124116GS	-	300	21
230			60	1.5	Yes	2345129204GS	-	300	22
380-415			50	1.0	-	2345623116GS	Yes	300	21
460			60	1.5	-	2345223116GS	-	300	21
Pollution Recovery		460	60	1.5	Yes	2345229404GS	-	300	22
		575	60	1.5	Yes	2345329404GS	-	300	22
Series 600M		200	60	1.5	-	2345024916GS	-	300	21
		230	60	1.5	-	2345124916GS	-	300	21
	460	60	1.5	-	2345224916GS	-	300	21	
1	Water Well	230	60	1.5	Yes	2345120600GS	Yes	300	22
		460	60	1.5	Yes	2345220600GS	-	300	22
		200	60	1.4	-	2345031903GS	-	650	24
		200	60	1.4	Yes	2345039203GS	-	650	25
		220	50	1.0	-	2345534116GS	-	650	24
		230	60	1.4	-	2345131903GS	-	650	24
		230	60	1.4	Yes	2345139203GS	Yes	650	25
		380-415	50	1.0	-	2345633116GS	Yes	650	24
	Pollution Recovery	460	60	1.4	-	2345231603GS	-	650	24
		460	60	1.4	Yes	2345239403GS	Yes	650	25
		575	60	1.4	Yes	2345339403GS	-	650	25
		200	60	1.4	-	2345032303GS	-	650	24
	Series 600M	230	60	1.4	-	2345132303GS	-	650	24
		460	60	1.4	-	2345232303GS	-	650	24
		230	60	1.4	Yes	2345130610GS	Yes	650	25
		460	60	1.4	Yes	2345230610GS	-	650	25
1.5	Water Well	200	60	1.3	-	2345041903GS	-	650	28
		200	60	1.3	Yes	2345049203GS	Yes	650	29
		200	60	1.3	-	2345048600	-	1500	33
		220	50	1.3	Yes	2345549003GS	-	650	28
		230	60	1.3	-	2345141903GS	-	650	28
		230	60	1.3	Yes	2345149203GS	Yes	650	29
		230	60	1.3	-	2345148600G	-	1500	33
		460/380	60/50	1.3/1.0	-	2345241603GS	-	650	28
		460/380	60/50	1.3/1.0	Yes	2345249403GS	Yes	650	28
		460/380	60/50	1.3/1.0	-	2345248600G	Yes	1500	28
		575	60	1.3	-	2345341603GS	-	650	28
		575	60	1.3	Yes	2345349403GS	Yes	650	29
	Pollution Recovery	575	60	1.3	-	2345348600G	-	1500	33
		200	60	1.3	-	2345042303GS	-	650	28
		230	60	1.3	-	2345142303GS	-	650	28
		460/380	60/50	1.3/1.0	-	2345242303GS	-	650	28
	Series 600M	230	60	1.3	Yes	2345140610GS	Yes	650	25
		460/380	60/50	1.3/1.0	Yes	2345240610GS	-	650	25
	316 SS	200	60	1.3	Yes	2345048502G	-	1500	40
		230	60	1.3	Yes	2345148502G	-	1500	40
460/380		60/50	1.3/1.0	Yes	2345248502G	-	1500	40	
575		60	1.3	Yes	2345348502G	-	1500	40	

4" SUBMERSIBLE MOTORS - ORDERING INFORMATION

THREE-PHASE MODELS

HP	Description	Volts	Hz	S.F.	Motor Lead	Model No.	In Stock	Thrust	Wt. (Lbs)	
2	Water Well	200	60	1.25	-	2343051618GS	-	650	33	
		200	60	1.25	Yes	2343059204GS	Yes	650	34	
		200	60	1.25	-	2343058600G	-	1500	44	
		220	50	1.0	-	2343551916GS	-	650	33	
		230	60	1.25	-	2343151618GS	Yes	650	33	
		230	60	1.25	Yes	2343159204GS	Yes	650	34	
		230	60	1.25	-	2343158600G	-	1500	44	
		460/380	60/50	1.25/1.0	-	2343251618GS	Yes	650	33	
		460/380	60/50	1.25/1.0	Yes	2343259404GS	Yes	650	34	
		460/380	60/50	1.25/1.0	-	2343258600G	-	1500	44	
		460/380	60/50	1.25/1.0	Yes	2343258602G	-	1500	44	
		575	60	1.25	-	2343351618GS	-	650	33	
	575	60	1.25	Yes	2343359404GS	Yes	650	34		
	575	60	1.25	-	2343358600G	-	1500	44		
	Pollution Recovery	200	60	1.25	-	2343052318GS	-	650	33	
		230	60	1.25	-	2343152318GS	-	650	33	
		460/380	60/50	1.25/1.0	-	2343252318GS	-	650	33	
	Series 600M	230	60	1.25	Yes	2343150610GS	Yes	650	29	
		460/380	60/50	1.25/1.0	Yes	2343250610GS	-	650	29	
	316 SS	200	60	1.25	Yes	2343058502G	-	1500	44	
		230	60	1.25	Yes	2343158502G	-	1500	44	
		460/380	60/50	1.25/1.0	Yes	2343258502G	-	1500	44	
	Oil Stripper	575	60	1.25	Yes	2343358502G	-	1500	44	
		230	60	1.25	Yes	2343158702G	-	1500	44	
		460/380	60/50	1.25/1.0	Yes	2343258702G	-	1500	44	
	3	Water Well	200	60	1.15	-	2343062504G	-	900	41
			200	60	1.15	Yes	2343062604G	Yes	900	41
			200	60	1.15	-	2343068600G	-	1500	43
200			60	1.15	Yes	2343068602G	Yes	1500	44	
220			50	1.0	-	2343562504G	-	900	41	
220			50	1.0	-	2343568600G	-	1500	43	
230			60	1.15	-	2343162504G	-	900	41	
230			60	1.15	Yes	2343162604G	Yes	900	41	
230			60	1.15	-	2343168600G	-	1500	43	
230			60	1.15	Yes	2343168602G	Yes	1500	44	
380			60	1.15	-	2343462504G	-	900	41	
380			60	1.15	Yes	2343462604G	Yes	900	41	
380			60	1.15	-	2343468600G	-	1500	43	
380			60	1.15	Yes	2343468602G	Yes	1500	44	
460/380			60/50	1.15/1.0	-	2343262504G	-	900	41	
460/380			60/50	1.15/1.0	Yes	2343262604G	Yes	900	41	
460/380			60/50	1.15/1.0	-	2343268600G	-	1500	43	
460/380			60/50	1.15/1.0	Yes	2343268602G	Yes	1500	44	
575			60	1.15	-	2343362504G	-	900	41	
575			60	1.15	Yes	2343362604G	Yes	900	41	
575		60	1.15	-	2343368600G	-	1500	43		
575		60	1.15	Yes	2343368602G	Yes	1500	44		
Series 600M		230	60	1.15	Yes	2343160620G	-	900	35	
		230	60	1.15	Yes	2343160630G	Yes	1500	44	
		460/380	60/50	1.15	Yes	2343260620G	-	900	35	
		460/380	60/50	1.15	Yes	2343260630G	-	1500	44	
Sand Fighter®		200	60	1.15	Yes	2343068802G	-	1500	44	
		230	60	1.15	Yes	2343168802G	Yes	1500	44	
		380	60	1.15	Yes	2343468802G	-	1500	44	
		460/380	60/50	1.15/1.0	Yes	2343268802G	Yes	1500	44	
316 SS		575	60	1.15	Yes	2343368802G	-	1500	44	
		200	60	1.15	Yes	2343068502G	-	1500	44	
		230	60	1.15	Yes	2343168502G	-	1500	44	
		460/380	60/50	1.15/1.0	Yes	2343268502G	-	1500	44	
Oil Stripper		575	60	1.15	Yes	2343368502G	-	1500	44	
		230	60	1.15	Yes	2343168702G	-	1500	44	
460/380	60/50	1.15/1.0	Yes	2343268702G	-	1500	44			

4" SUBMERSIBLE MOTORS - ORDERING INFORMATION

THREE-PHASE MODELS

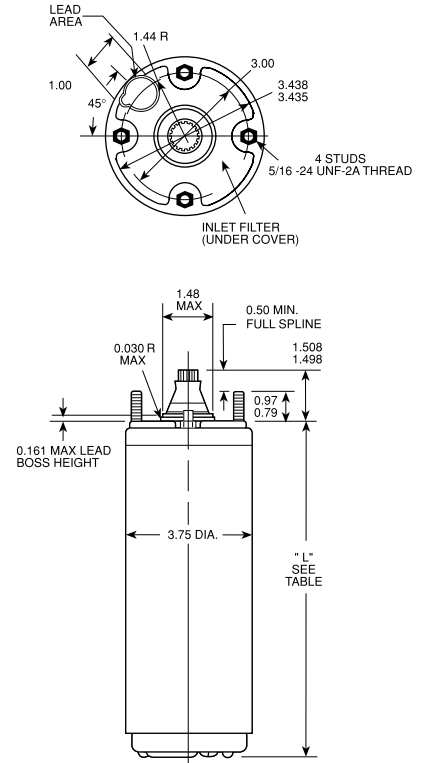
HP	Description	Volts	Hz	S.F.	Motor Lead	Model No.	In Stock	Thrust	Wt. (Lbs)
4	Water Well	380	50	1.0	-	2343958600G	-	1500	49
		380	50	1.0	Yes	2343958602G	-	1500	50
5	Water Well	200	60	1.15	-	2343078600G	-	1500	55
		200	60	1.15	Yes	2343078602G	Yes	1500	56
		220	50	1.0	-	2343578600G	-	1500	55
		230	60	1.15	-	2343178600G	-	1500	55
		230	60	1.15	Yes	2343178602G	Yes	1500	56
		380	60	1.15	-	2343478600G	-	1500	55
		380	60	1.15	Yes	2343478602G	Yes	1500	56
		460/380	60/50	1.15/1.0	-	2343278600G	-	1500	55
		460/380	60/50	1.15/1.0	Yes	2343278602G	Yes	1500	56
		575	60	1.15	-	2343378600G	-	1500	55
	575	60	1.15	Yes	2343378602G	Yes	1500	56	
	Series 600M	230	60	1.15	Yes	2343170630G	Yes	1500	56
		460/380	60/50	1.15	Yes	2343270630G	-	1500	56
	Sand Fighter®	200	60	1.15	Yes	2343078802G	-	1500	56
		230	60	1.15	Yes	2343178802G	Yes	1500	56
		380	60	1.15	Yes	2343478802G	-	1500	56
		460/380	60/50	1.15/1.0	Yes	2343278802G	Yes	1500	56
		575	60	1.15	Yes	2343378802G	-	1500	56
	316 SS	200	60	1.15	Yes	2343078502G	-	1500	56
		230	60	1.15	Yes	2343178502G	-	1500	56
460/380		60/50	1.15/1.0	Yes	2343278502G	-	1500	56	
Oil Stripper	575	60	1.15	Yes	2343378502G	-	1500	56	
	230	60	1.15	Yes	2343178702G	-	1500	58	
	460/380	60/50	1.15/1.0	Yes	2343278702G	-	1500	58	
ES	460/380	60/50	1.15/1.0	-	2343278801G	-	1500	56	
	460/380	60/50	1.15/1.0	-	2343273529G	-	1500	59	
5.5	Water Well	460/380	60/50	1.0	-	2343978600G	-	1500	60
		460/380	60/50	1.0	Yes	2343978602G	-	1500	61
7.5	Water Well	200	60	1.15	-	2343088600G	-	1500	70
		200	60	1.15	Yes	2343088602G	Yes	1500	71
		220	50	1	-	2343588600G	-	1500	70
		230	60	1.15	-	2343188600G	-	1500	70
		230	60	1.15	Yes	2343188602G	Yes	1500	71
		380	60	1.15	-	2343488600G	-	1500	70
		380	60	1.15	Yes	2343488602G	Yes	1500	71
		460/380	60/50	1.15/1.0	-	2343288600G	Yes	1500	70
		460/380	60/50	1.15/1.0	Yes	2343288602G	Yes	1500	71
		575	60	1.15	-	2343388600G	-	1500	70
	575	60	1.15	Yes	2343388602G	Yes	1500	71	
	Sand Fighter®	200	60	1.15	Yes	2343088802G	-	1500	71
		230	60	1.15	Yes	2343188802G	Yes	1500	71
		380	60	1.15	Yes	2343488802G	-	1500	71
		460/380	60/50	1.15/1.0	Yes	2343288802G	Yes	1500	71
		575	60	1.15	Yes	2343388802G	-	1500	71
	316 SS	200	60	1.15	Yes	2343088502G	-	1500	71
		230	60	1.15	Yes	2343188502G	-	1500	71
		460/380	60/50	1.15/1.0	Yes	2343288502G	-	1500	71
	Oil Stripper	575	60	1.15	Yes	2343388502G	-	1500	71
230		60	1.15	Yes	2343188702G	-	1500	71	
460/380		60/50	1.15/1.0	Yes	2343288702G	-	1500	71	
ES	460/380	60/50	1.15/1.0	-	2343288801G	-	1500	71	
	460/380	60/50	1.15/1.0	-	2343283529G	-	1500	74	
10	Water Well	380	60	1.15	Yes	2345498602G	-	1500	77
		460/380	60/50	1.15/1.0	Yes	2345958602G	Yes	1500	77
		575	60	1.15	Yes	2345988602G	-	1500	77
	Sand Fighter®	380	60	1.15	Yes	2345498802G	-	1500	77
		460/380	60/50	1.15/1.0	Yes	2345958802G	Yes	1500	77
		575	60	1.15	Yes	2345988802G	-	1500	77
	316 SS	460/380	60/50	1.15	Yes	2345958502G	-	1500	77
	Oil Stripper	460/380	60/50	1.15	Yes	2345958702G	-	1500	77
	ES	460/380	60/50	1.15/1.0	-	2345958801G	-	1500	77
	CBM+	460/380	60/50	1.15/1.0	-	2345953529G	-	1500	80
15	CBM+	460/380	60/50	1.15/1.0	-	2346268996	-	3500	115

4" SUBMERSIBLE MOTORS - DIMENSIONS AND WEIGHTS

SUPER STAINLESS

HP / kW	Phase	L (in)	Motor Carton Size (in)			Shipping Wt.	
			W	H	L	lbs	kg
0.333 / 0.25	1	8.76	4.25	4.38	16.00	16	7.3
	1	8.76	4.25	4.38	16.00	17	7.7
0.5 / 0.37	1	9.51	4.25	4.38	16.00	18	8.2
	3	9.51	4.25	4.38	16.00	19	8.6
0.75 / 0.55	1	10.64	4.25	4.38	19.00	21	9.5
	3	10.64	4.25	4.38	19.00	21	9.5
1 / 0.75	1	11.73	4.25	4.38	19.00	24	10.9
	3	11.73	4.25	4.38	19.00	24	10.9
1.5 / 1.1	1	15.1	4.25	4.38	21.25	31	14.1
	3	13.6	4.25	4.38	21.25	28	12.7
2 / 1.5	1	15.1	4.25	4.38	21.25	33	15
	3	13.6	4.25	4.38	21.25	28	12.7
3 / 2.2	1	19.04	4.25	4.38	21.25	41	18.6
	3	16.04	4.25	4.38	21.25	35	15.9

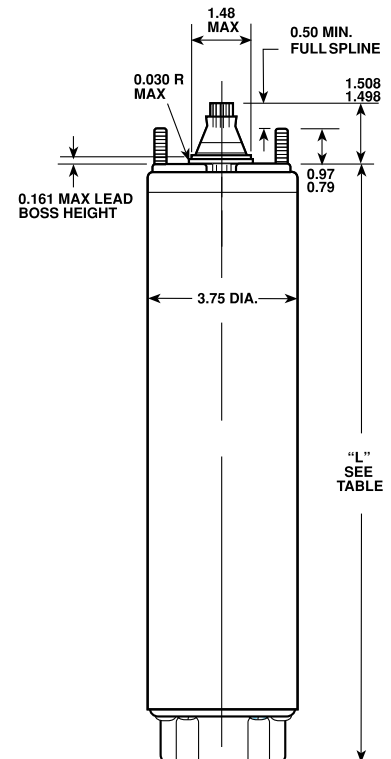
NOTE: All dimensions listed above are for models supplied with lead; consult factory for other models



HIGH THRUST

HP / kW	Model	Phase	L (in)	Motor Carton Size (in)			Shipping Wt.	
				W	H	L	lbs	kg
1.5 / 1.1	Standard, Sand Fighter®	1	19.1	6.50	6.25	21.50	35	15.9
	Standard, Sand Fighter®	3	17.98	6.50	6.25	21.50	37	16.8
2 / 1.5	Standard, Sand Fighter®	1	20.6	6.50	6.25	24.25	43	19.5
	Oil Stripper	1	22.85	6.50	6.25	25.75	46	20.9
	Standard, Sand Fighter®	3	19.1	6.50	6.25	24.25	44	20
3 / 2.2	Oil Stripper	3	21.35	6.50	6.25	25.75	42	19.1
	Standard, Sand Fighter®	1	23.18	6.50	6.25	27.25	56	25.4
	Oil Stripper	1	23.18	6.50	6.25	33.25	56	25.4
5 / 3.7	Standard, Sand Fighter®	3	20.18	6.50	6.25	24.25	44	20
	Oil Stripper	3	20.18	6.50	6.25	25.75	44	20
	Standard, Sand Fighter®	1	29.18	6.50	6.25	33.25	71	32.2
5.5 / 4	Oil Stripper	1	29.18	6.50	6.25	34.75	71	32.2
	Standard, Sand Fighter®	3	23.18	6.50	6.25	27.25	56	25.4
	Oil Stripper	3	25.66	6.50	6.25	28.75	63	28.6
7.5 / 5.5	Standard, Sand Fighter®	3	25.66	6.50	6.25	33.25	63	28.6
	Oil Stripper	3	29.18	6.50	6.25	33.25	71	32.2
10 / 7.5	Standard, Sand Fighter®	3	32.18	6.50	6.25	36.25	77	34.9
15 / 11.2	CBM+	3	47.5	6.50	6.25	50.00	115	52.3

NOTE: Consult factory for 316 SS weights and dimensions

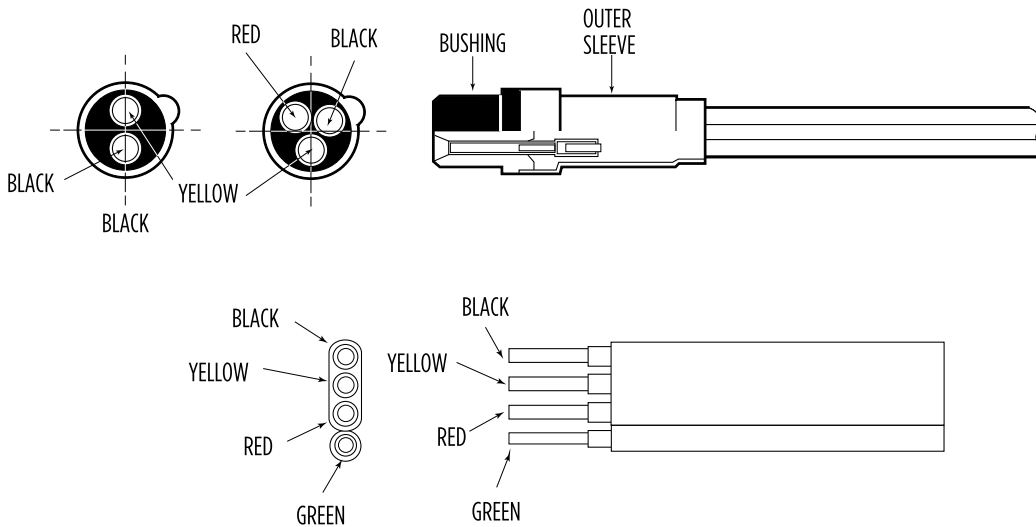


4" SUBMERSIBLE MOTORS - LEADS AND ACCESSORIES

MOTOR LEADS AND CABLES

HP	Wire	Description	Wire AWG	Model No.	Wt. (lbs)
All	2	Lead, Individual XLPE, 303 SS, 48 in, Ground	14	152552905	1
		Lead, Individual XLPE, 303 SS, 100 in, Ground		152552906	1
		Lead, Individual Nitrile, 316 SS, 48 in, No Ground		152328905*	1
		Lead, Individual Nitrile, 316 SS, 100 in, No Ground		152328906*	1
	3 (Jam-Nut Style)	Lead, Individual XLPE, 303 SS, 48 in, Ground		152553905	<1
		Lead, Individual XLPE, 303 SS, 100 in, Ground		152553906	<1
		Lead, Individual Nitrile, 316 SS, 48 in, No Ground *		152255901	<1
		Lead, Individual Nitrile, 316 SS, 100 in, No Ground *		152255902	<1
		Lead, Individual Nitrile, 316 SS, 160 in, No Ground *		152255904	<1
		Lead, Individual Nitrile, 316 SS, 30 ft, No Ground *		152255906	5
		Lead, Individual Nitrile, 316 SS, 50 ft, No Ground *		152255907	5
		Lead, Individual Nitrile, 316 SS, 100 ft, No Ground *		152255910	9
		Lead, Individual Nitrile, 316 SS, 150 ft, No Ground *		152255912	14
		3 (Clamp Style)		Lead, Individual XLPE, 316 SS, 48 in, Ground	152735911
	Lead, Individual XLPE, 316 SS, 100 in, Ground			152735941	1
	Lead, Individual Nitrile, 316 SS, 100 in, No Ground *			152744902	<1
	Lead, Individual Nitrile, 316 SS, 160 in, No Ground *			152744904	<1
	Lead, Individual Nitrile, 316 SS, 50 ft, No Ground *			152744907	5
	Lead, Individual Nitrile, 316 SS, 100 ft, No Ground *			152744910	9

NOTE: Refer to Franklin Application Installation Maintenance (AIM) Manual for accurate cable sizing; MOTOR WARRANTY IS VOID if Franklin-supplied leads are not used
 * Nitrile not for use in potable water



MOTOR ACCESSORIES

HP	Description	Model No.	Wt. (lbs)
All	Coupling, 4-inch, #416 SS, 3/16 x 1/8 x 1 3/8 Key	151551911	1