

6" SUBMERSIBLE MOTORS

These motors are built for dependable operation in 6" diameter or larger water wells.

BASIC FEATURES

- Double flanged NEMA mounting design
- Stainless steel splined shaft
- StatorShield™, Franklin's six-feature encapsulation system
- High-capacity, Kingsbury-type, water-lubricated thrust bearing
- Factory-filled with Franklin's non-toxic water soluble fill solution
- Field replaceable lead using Franklin's exclusive Water-Bloc™ technology
- Full 3,450 rpm 60 Hz design point
- External sand slinger on shaft
- Mechanical face seal at shaft exit
- Copper bar rotor
- All models variable frequency drive (VFD) compatible
- Single-phase models must be used with a Franklin Electric control box

SPECIAL FEATURES

- Sand Fighter™ and 316 stainless steel models are equipped with Franklin's exclusive Sand Fighter™ sealing system for sand or other abrasives, as well as Franklin's exclusive on-winding SubTrol™ heat sensor for use with SubMonitor™
- Consult factory for other voltage, hertz, and horsepower ratings not listed in this catalog
- Specifications are subject to change without notice; contact Franklin Electric if current materials are required for bid specifications
- Overmolded motor leads on all 10 GA leads





6" SUBMERSIBLE MOTORS - SPECIFICATIONS AND MATERIALS

MOTOR SPECIFICATIONS

Hz	Model	Phase	HP Range	kW Range	Poles	RPM	Max. Ambient Temp.	Duty Rating
50	Standard*	1	5 - 15	3.7 - 11	2	2875	86 °F / 30 °C	Continuous*
50		3	5 - 40	3.7 - 45			86 °F / 30 °C	
50		3	50 - 60	37 - 45			122 °F / 50 °C	
50	High-Temp 90°C**	3	5 - 40	3.7 - 30		195 °F / 90 °C		
60	Standard*	1	5 - 15	3.7 - 11		3450	86 °F / 30 °C	
60		3	5 - 40	3.7 - 30			86 °F / 30 °C	
60		3	50 - 60	37 - 45	122 °F / 50 °C			
60	High-Temp 90°C**	3	5 - 40	3.7 - 30	195 °F / 90 °C			

*At 0.5 ft/sec flow past motor; motors are rated for continuous duty up to 86°F (30 °C) water temperature

**At 0.5 ft/sec flow past motor; motors are rated for continuous duty up to 195°F (90 °C) water temperature and up to 86 °F (30 °C) water temperature with NO FLOW in lakes or in wells 12 inches or larger in diameter.

CONSTRUCTION MATERIALS

Component	Construction Type					
	Standard Water Well	Sand Fighter™	Corrosion Resistant (316 SS)	Hi-Temp 90°C (300 SS Shell)	Hi-Temp 90°C (316 SS)	
UL Insulation Class Rating	Class F			Class F	Class F	
Motor Ambient Temp. Rating	86 °F / 30 °C (5-40 hp) 122 °F / 50 °C (50-60 hp)			194 °F / 90 °C (5-40 hp)	194 °F / 90 °C (5-40 hp)	
Stator Resin Type	Standard (5-40 hp) / Hi-Temp (50-60 hp)	Per standard water well	Per standard water well	FE Hi-Temp	FE Hi-Temp	
Motor Fill Solution (Water Soluble/Non-Toxic)	FES91			FES92	FES92	
Top End Bell & Thrust Housing	Epoxy-coated gray iron		316 SS	Epoxy-coated gray iron	316 SS	
On Winding SubTrol™ heat sensor	No (5-40 hp) / Yes (50-60 hp)	Yes	Yes	Not Available	Not Available	
Stator Shell	300 series SS	Per standard water well	316 SS	300 series SS	316 SS	
Stator Ends	Carbon steel		316 SS	Carbon steel	316 SS	
Shaft Extension	300 Series SS (5-30 hp) / 17-4 SS (40-60 hp)		17-4 SS	300 SS (5-20 hp), 17-4 SS (25-40 hp)	17-4 SS	
Bushing	Bronze		316 SS	Bronze	316 SS	
Bushing Retainer	300 series SS			300 series SS	316 SS	
Shaft Mechanical Seal	Carbon ceramic (5-40 hp) Sand Fighter™ Seal System (50-60 hp)	Sand Fighter™ Seal System	Sand Fighter™ Seal System	Sand Fighter™ Seal System	Sand Fighter™ Seal System	
Mechanical Seal / Rubber Components	Nitrile (5-40 hp) / FKM (50-60 hp)	Per standard water well	Per standard water well	FKM	FKM	
Diaphragm Material	Nitrile (5-40 hp) / FKM (50-60 hp)				FKM	FKM
Diaphragm Plate	300 series SS		316 SS	300 series SS	316 SS	
Diaphragm Spring	300 series SS		25-6 MO SS	300 series SS	25-6 MO SS	
Shaft Slinger	Nitrile (5-40 hp) / FKM (50-60 hp)		Nitrile	FKM	FKM	
Lead Wire	Overmolded			Per standard water well	XLPO	XLPO
Lead Potting	Epoxy			Epoxy	Epoxy	
Lead Jam Nut	Brass		316 SS	Brass	316 SS	
Thrust Bearing Rating (86 °F / 30 °C)	3500 lbs (5-30 hp) 6000 lbs (40-60 hp)		Per standard water well	Standard 5-20 hp • 4,500 lbs Standard 25-40 hp • 7,500 lbs	Standard 5-20 hp • 4,500 lbs Standard 25-40 hp • 7,500 lbs	
Method Of Connecting System Ground To Motor	Ground wire in power lead connector			Ground wire in power lead connector	Ground wire in power lead connector	

NOTE: Specifications subject to change without notice; contact Franklin Electric if current material types are required for bid specifications

6" SUBMERSIBLE MOTORS - ORDERING INFORMATION

SINGLE-PHASE MODELS

HP	Description	Volts	Hz	S.F.	Motor Lead	Model No.	In Stock	Thrust Rating	Wt. (lbs)
5	Water Well	230	60	1.15	DOL (3)	2261109020	Yes	3500	110
	Sand Fighter™	230	60	1.15	DOL (3)	2261108020	Yes	3500	110
	316 SS	230	60	1.15	DOL (3)	2261103920	-	3500	110
7.5	Water Well	230	60	1.15	DOL (3)	2261119020	Yes	3500	123
	Sand Fighter™	230	60	1.15	DOL (3)	2261118020	Yes	3500	123
	316 SS	230	60	1.15	DOL (3)	2261113920	-	3500	123
10	Water Well	230	60	1.15	DOL (3)	2261129020	Yes	3500	141
	Sand Fighter™	230	60	1.15	DOL (3)	2261128020	Yes	3500	141
	316 SS	230	60	1.15	DOL (3)	2261123920	-	3500	141
15	Water Well	230	60	1.15	DOL (3)	2261139020	Yes	3500	154
	Sand Fighter™	230	60	1.15	DOL (3)	2261138020	Yes	3500	154
	316 SS	230	60	1.15	DOL (3)	2261133920	-	3500	154

THREE-PHASE MODELS

HP	Description	Volts	Hz	S.F.	Motor Lead	Model No.	In Stock	Thrust Rating	Wt. (lbs)
5	Water Well	200	60	1.15	DOL (3)	2366509020	Yes	3500	101
		220	50	1.0	DOL (3)	2366809020	-	3500	101
		230	60	1.15	DOL (3)	2366009020	Yes	3500	101
		230	60	1.15	Y-Δ (6)	2367209020	-	3500	106
		380	60	1.15	DOL (3)	2366609020	-	3500	101
		380	60	1.15	Y-Δ (6)	2367809020	-	3500	106
		415	50	1.0	DOL (3)	2366909020	-	3500	101
		460/380	60/50	1.15/1.0	DOL (3)	2366109020	Yes	3500	101
		460/380	60/50	1.15/1.0	Y-Δ (6)	2367109020	-	3500	106
		575	60	1.15	DOL (3)	2366209020	-	3500	101
	Sand Fighter™	200	60	1.15	DOL (3)	2366508120	Yes	3500	101
		220	50	1.0	DOL (3)	2366808120	-	3500	101
		230	60	1.15	DOL (3)	2366008120	Yes	3500	101
		380	60	1.15	DOL (3)	2366608120	-	3500	101
		460/380	60/50	1.15/1.0	DOL (3)	2366108120	Yes	3500	101
		460/380	60/50	1.15/1.0	Y-Δ (6)	2367108120	-	3500	106
		575	60	1.15	DOL (3)	2366208120	Yes	3500	101
	316 SS w/SubTrol™	200	60	1.15	DOL (3)	2366504020	-	3500	101
		230	60	1.15	DOL (3)	2366004020	Yes	3500	101
		380	60	1.15	DOL (3)	2366604020	-	3500	101
		460/380	60/50	1.15/1.0	DOL (3)	2366104020	Yes	3500	101
		460/380	60/50	1.15/1.0	Y-Δ (6)	2367104020	-	3500	106
		575	60	1.15	DOL (3)	2366204020	-	3500	101
	Hi-Temp 90°C	200	60	1.15	DOL (3)	2766500003	-	4500	116
		230	60	1.15	DOL (3)	2766000003	-	4500	116
		380	60	1.15	DOL (3)	2766600003	-	4500	116
		460/380	60/50	1.15/1.0	DOL (3)	2766100003	-	4500	116
		460/380	60/50	1.15/1.0	Y-Δ (6)	2767100003	-	4500	121
		575	60	1.15	DOL (3)	2766200003	-	4500	116
	Hi-Temp 90°C - 316 SS	200	60	1.15	DOL (3)	2766503003	-	4500	116
230		60	1.15	DOL (3)	2766003003	-	4500	116	
380		60	1.15	DOL (3)	2766603003	-	4500	116	
460/380		60/50	1.15/1.0	DOL (3)	2766103003	-	4500	116	
575		60	1.15	DOL (3)	2766203003	-	4500	116	



6" SUBMERSIBLE MOTORS - ORDERING INFORMATION

THREE-PHASE MODELS

HP	Description	Volts	Hz	S.F.	Motor Lead	Model No.	In Stock	Thrust Rating	Wt. (lbs)
7.5	Water Well	200	60	1.15	DOL (3)	2366519020	Yes	3500	108
		220	50	1.0	DOL (3)	2366819020	-	3500	108
		230	60	1.15	DOL (3)	2366019020	Yes	3500	108
		230	60	1.15	Y-Δ (6)	2367219020	-	3500	113
		380	60	1.15	DOL (3)	2366619020	Yes	3500	108
		380	60	1.15	Y-Δ (6)	2367819020	-	3500	113
		415	50	1.0	DOL (3)	2366919020	-	3500	108
		460/380	60/50	1.15/1.0	DOL (3)	2366119020	Yes	3500	108
		460/380	60/50	1.15/1.0	Y-Δ (6)	2367119020	Yes	3500	113
	575	60	1.15	DOL (3)	2366219020	-	3500	108	
	Sand Fighter™	200	60	1.15	DOL (3)	2366518120	Yes	3500	108
		220	50	1.0	DOL (3)	2366818120	-	3500	108
		230	60	1.15	DOL (3)	2366018120	Yes	3500	108
		380	60	1.15	DOL (3)	2366618120	-	3500	108
		415	50	1.0	DOL (3)	2366918120	-	3500	108
		460/380	60/50	1.15/1.0	DOL (3)	2366118120	Yes	3500	108
		460/380	60/50	1.15/1.0	Y-Δ (6)	2367118120	-	3500	113
		575	60	1.15	DOL (3)	2366218120	Yes	3500	108
		316 SS w/SubTrol™	200	60	1.15	DOL (3)	2366514020	-	3500
	230		60	1.15	DOL (3)	2366014020	Yes	3500	108
	380		60	1.15	DOL (3)	2366614020	-	3500	108
	460/380		60/50	1.15/1.0	DOL (3)	2366114020	Yes	3500	108
	460/380		60/50	1.15/1.0	Y-Δ (6)	2367114020	-	3500	113
	575		60	1.15	DOL (3)	2366214020	-	3500	108
	Hi-Temp 90°C		200	60	1.15	DOL (3)	2766510003	-	4500
		230	60	1.15	DOL (3)	2766010003	-	4500	129
		380	60	1.15	DOL (3)	2766610003	-	4500	129
		460/380	60/50	1.15/1.0	DOL (3)	2766110003	-	4500	129
		460/380	60/50	1.15/1.0	Y-Δ (6)	2767110003	-	4500	134
		575	60	1.15	DOL (3)	2766210003	-	4500	129
Hi-Temp 90°C - 316 SS		200	60	1.15	DOL (3)	2766513003	-	4500	129
	230	60	1.15	DOL (3)	2766013003	-	4500	129	
	380	60	1.15	DOL (3)	2766613003	-	4500	129	
	460/380	60/50	1.15/1.0	DOL (3)	2766113003	-	4500	129	
	575	60	1.15	DOL (3)	2766213003	-	4500	129	

6" SUBMERSIBLE MOTORS - ORDERING INFORMATION

THREE-PHASE MODELS

HP	Description	Volts	Hz	S.F.	Motor Lead	Model No.	In Stock	Thrust Rating	Wt. (lbs)
10	Water Well	200	60	1.15	DOL (3)	2366529020	Yes	3500	116
		220	50	1.0	DOL (3)	2366829020	-	3500	116
		230	60	1.15	DOL (3)	2366029020	Yes	3500	116
		230	60	1.15	Y-Δ (6)	2367229020	-	3500	121
		380	60	1.15	DOL (3)	2366629020	Yes	3500	116
		380	60	1.15	Y-Δ (6)	2367829020	-	3500	121
		415	50	1.0	DOL (3)	2366929020	-	3500	116
		460/380	60/50	1.15/1.0	DOL (3)	2366129020	Yes	3500	116
		460/380	60/50	1.15/1.0	Y-Δ (6)	2367129020	Yes	3500	121
		575	60	1.15	DOL (3)	2366229020	-	3500	116
	Sand Fighter™	200	60	1.15	DOL (3)	2366528120	Yes	3500	116
		220	50	1.0	DOL (3)	2366828120	-	3500	116
		230	60	1.15	DOL (3)	2366028120	Yes	3500	116
		380	60	1.15	DOL (3)	2366628120	-	3500	116
		415	50	1.0	DOL (3)	2366928120	-	3500	116
		460/380	60/50	1.15/1.0	DOL (3)	2366128120	Yes	3500	116
		460/380	60/50	1.15/1.0	Y-Δ (6)	2367128120	-	3500	121
		575	60	1.15	DOL (3)	2366228120	Yes	3500	116
	316 SS w/SubTrol™	200	60	1.15	DOL (3)	2366524020	-	3500	116
		230	60	1.15	DOL (3)	2366024020	Yes	3500	116
		380	60	1.15	DOL (3)	2366624020	-	3500	116
		460/380	60/50	1.15/1.0	DOL (3)	2366124020	Yes	3500	116
		460/380	60/50	1.15/1.0	Y-Δ (6)	2367124020	-	3500	121
		575	60	1.15	DOL (3)	2366224020	-	3500	116
	Hi-Temp 90°C	200	60	1.15	DOL (3)	2766520003	-	4500	145
		230	60	1.15	DOL (3)	2766020003	-	4500	145
		380	60	1.15	DOL (3)	2766620003	-	4500	145
		460/380	60/50	1.15/1.0	DOL (3)	2766120003	Yes	4500	145
		460/380	60/50	1.15/1.0	Y-Δ (6)	2767120003	-	4500	150
		575	60	1.15	DOL (3)	2766220003	-	4500	145
	Hi-Temp 90°C - 316 SS	200	60	1.15	DOL (3)	2766523003	-	4500	145
		230	60	1.15	DOL (3)	2766023003	-	4500	145
		380	60	1.15	DOL (3)	2766623003	-	4500	145
		460/380	60/50	1.15/1.0	DOL (3)	2766123003	-	4500	145
		575	60	1.15	DOL (3)	2766223003	-	4500	145



6" SUBMERSIBLE MOTORS - ORDERING INFORMATION

THREE-PHASE MODELS

HP	Description	Volts	Hz	S.F.	Motor Lead	Model No.	In Stock	Thrust Rating	Wt. (lbs)
15	Water Well	200	60	1.15	DOL (3)	2366539020	Yes	3500	129
		200	60	1.15	Y-Δ (6)	2367639020	-	3500	134
		220	50	1.0	DOL (3)	2366839020	-	3500	129
		230	60	1.15	DOL (3)	2366039020	Yes	3500	129
		230	60	1.15	Y-Δ (6)	2367239020	Yes	3500	134
		380	60	1.15	DOL (3)	2366639020	Yes	3500	129
		380	60	1.15	Y-Δ (6)	2367839020	-	3500	134
		415	50	1.0	DOL (3)	2366939020	-	3500	129
		460/380	60/50	1.15/1.0	DOL (3)	2366139020	Yes	3500	129
		460/380	60/50	1.15/1.0	Y-Δ (6)	2367139020	Yes	3500	134
		575	60	1.15	DOL (3)	2366239020	-	3500	129
	Sand Fighter™	200	60	1.15	DOL (3)	2366538120	Yes	3500	129
		220	50	1.0	DOL (3)	2366838120	-	3500	129
		230	60	1.15	DOL (3)	2366038120	Yes	3500	129
		380	60	1.15	DOL (3)	2366638120	-	3500	129
		415	50	1.0	DOL (3)	2366938120	-	3500	129
		460/380	60/50	1.15/1.0	DOL (3)	2366138120	Yes	3500	129
		460/380	60/50	1.15/1.0	Y-Δ (6)	2367138120	-	3500	134
		575	60	1.15	DOL (3)	2366238120	Yes	3500	129
	316 SS w/SubTrol™	200	60	1.15	DOL (3)	2366534020	-	3500	129
		230	60	1.15	DOL (3)	2366034020	Yes	3500	129
		380	60	1.15	DOL (3)	2366634020	-	3500	129
		460/380	60/50	1.15/1.0	DOL (3)	2366134020	Yes	3500	129
		460/380	60/50	1.15/1.0	Y-Δ (6)	2367134020	-	3500	134
		575	60	1.15	DOL (3)	2366234020	-	3500	129
	Hi-Temp 90°C	200	60	1.15	DOL (3)	2766530003	-	4500	156
		230	60	1.15	DOL (3)	2766030003	-	4500	156
		380	60	1.15	DOL (3)	2766630003	-	4500	156
		460/380	60/50	1.15/1.0	DOL (3)	2766130003	Yes	4500	156
		460/380	60/50	1.15/1.0	Y-Δ (6)	2767130003	-	4500	161
		575	60	1.15	DOL (3)	2766230003	-	4500	156
	Hi-Temp 90°C - 316 SS	200	60	1.15	DOL (3)	2766533003	-	4500	156
		230	60	1.15	DOL (3)	2766033003	-	4500	156
		380	60	1.15	DOL (3)	2766633003	-	4500	156
		460/380	60/50	1.15/1.0	DOL (3)	2766133003	-	4500	156
		575	60	1.15	DOL (3)	2766233003	-	4500	156

6" SUBMERSIBLE MOTORS - ORDERING INFORMATION

THREE-PHASE MODELS

HP	Description	Volts	Hz	S.F.	Motor Lead	Model No.	In Stock	Thrust Rating	Wt. (lbs)
20	Water Well	200	60	1.15	DOL (3)	2366549020	Yes	3500	145
		200	60	1.15	Y-Δ (6)	2367649020	-	3500	150
		220	50	1.0	DOL (3)	2366849020	-	3500	145
		230	60	1.15	DOL (3)	2366049020	Yes	3500	145
		230	60	1.15	Y-Δ (6)	2367249020	-	3500	150
		380	60	1.15	DOL (3)	2366649020	Yes	3500	145
		380	60	1.15	Y-Δ (6)	2367849020	-	3500	150
		415	50	1.0	DOL (3)	2366949020	-	3500	145
		460/380	60/50	1.15/1.0	DOL (3)	2366149020	Yes	3500	145
		460/380	60/50	1.15/1.0	Y-Δ (6)	2367149020	Yes	3500	150
		575	60	1.15	DOL (3)	2366249020	-	3500	145
	Sand Fighter™	200	60	1.15	DOL (3)	2366548120	Yes	3500	145
		220	50	1.0	DOL (3)	2366848120	-	3500	145
		230	60	1.15	DOL (3)	2366048120	Yes	3500	145
		380	60	1.15	DOL (3)	2366648120	-	3500	145
		415	50	1.0	DOL (3)	2366948120	-	3500	145
		460/380	60/50	1.15/1.0	DOL (3)	2366148120	Yes	3500	145
		460/380	60/50	1.15/1.0	Y-Δ (6)	2367148120	-	3500	150
		575	60	1.15	DOL (3)	2366248120	Yes	3500	145
	316 SS w/SubTrol™	200	60	1.15	DOL (3)	2366544020	-	3500	145
		230	60	1.15	DOL (3)	2366044020	Yes	3500	145
		380	60	1.15	DOL (3)	2366644020	-	3500	145
		460/380	60/50	1.15/1.0	DOL (3)	2366144020	Yes	3500	145
		460/380	60/50	1.15/1.0	Y-Δ (6)	2367144020	-	3500	150
		575	60	1.15	DOL (3)	2366244020	-	3500	145
	Hi-Temp 90°C	200	60	1.15	DOL (3)	2766540003	-	4500	174
		230	60	1.15	DOL (3)	2766040003	-	4500	174
		380	60	1.15	DOL (3)	2766640003	-	4500	174
		460/380	60/50	1.15/1.0	DOL (3)	2766140003	Yes	4500	174
		460/380	60/50	1.15/1.0	Y-Δ (6)	2767140003	-	4500	179
		575	60	1.15	DOL (3)	2766240003	-	4500	174
	Hi-Temp 90°C - 316 SS	200	60	1.15	DOL (3)	2766543003	-	4500	174
		230	60	1.15	DOL (3)	2766043003	-	4500	174
		380	60	1.15	DOL (3)	2766643003	-	4500	174
		460/380	60/50	1.15/1.0	DOL (3)	2766143003	-	4500	174
		575	60	1.15	DOL (3)	2766243003	-	4500	174



6" SUBMERSIBLE MOTORS - ORDERING INFORMATION

THREE-PHASE MODELS

HP	Description	Volts	Hz	S.F.	Motor Lead	Model No.	In Stock	Thrust Rating	Wt. (lbs)	
25	Water Well	200	60	1.15	DOL (3)	2366559020	Yes	3500	156	
		200	60	1.15	Y-Δ (6)	2367659020	-	3500	161	
		220	50	1.0	DOL (3)	2366859020	-	3500	156	
		230	60	1.15	DOL (3)	2366059020	Yes	3500	156	
		230	60	1.15	Y-Δ (6)	2367259020	-	3500	161	
		380	60	1.15	DOL (3)	2366659020	Yes	3500	156	
		380	60	1.15	Y-Δ (6)	2367859020	-	3500	161	
		415	50	1.0	DOL (3)	2366959020	-	3500	156	
		460/380	60/50	1.15/1.0	DOL (3)	2366159020	Yes	3500	156	
		460/380	60/50	1.15/1.0	Y-Δ (6)	2367159020	Yes	3500	161	
		575	60	1.15	DOL (3)	2366259020	-	3500	156	
	Sand Fighter™	200	60	1.15	DOL (3)	2366558120	Yes	3500	156	
		220	50	1.0	DOL (3)	2366858120	-	3500	156	
		230	60	1.15	DOL (3)	2366058120	Yes	3500	156	
		380	60	1.15	DOL (3)	2366658120	-	3500	156	
		415	50	1.0	DOL (3)	2366958120	-	3500	156	
		460/380	60/50	1.15/1.0	DOL (3)	2366158120	Yes	3500	156	
		460/380	60/50	1.15/1.0	Y-Δ (6)	2367158120	-	3500	161	
		575	60	1.15	DOL (3)	2366258120	Yes	3500	156	
		316 SS w/SubTrol™	200	60	1.15	DOL (3)	2366554020	-	3500	156
			230	60	1.15	DOL (3)	2366054020	-	3500	156
			380	60	1.15	DOL (3)	2366654020	-	3500	156
	460/380		60/50	1.15/1.0	DOL (3)	2366154020	Yes	3500	156	
	460/380		60/50	1.15/1.0	Y-Δ (6)	2367154020	-	3500	161	
	575		60	1.15	DOL (3)	2366254020	-	3500	156	
	Hi-Temp 90°C		200	60	1.15	DOL (3)	2766550103	-	7500	202
		230	60	1.15	DOL (3)	2766050103	-	7500	202	
		380	60	1.15	DOL (3)	2766650103	-	7500	202	
		460/380	60/50	1.15/1.0	DOL (3)	2766150103	Yes	7500	202	
		460/380	60/50	1.15/1.0	Y-Δ (6)	2767150103	-	7500	207	
		575	60	1.15	DOL (3)	2766250103	-	7500	202	
		Hi-Temp 90°C - 316 SS	200	60	1.15	DOL (3)	2766553103	-	7500	202
	230		60	1.15	DOL (3)	2766053103	-	7500	202	
	380		60	1.15	DOL (3)	2766653103	-	7500	202	
	460/380		60/50	1.15/1.0	DOL (3)	2766153103	-	7500	202	
	575		60	1.15	DOL (3)	2766253103	-	7500	202	

6" SUBMERSIBLE MOTORS - ORDERING INFORMATION

THREE-PHASE MODELS

HP	Description	Volts	Hz	S.F.	Motor Lead	Model No.	In Stock	Thrust Rating	Wt. (lbs)
30	Water Well	200	60	1.15	DOL (3)	2366569020	Yes	3500	174
		200	60	1.15	Y-Δ (6)	2367669020	-	3500	179
		220	50	1.0	DOL (3)	2366869020	-	3500	174
		230	60	1.15	DOL (3)	2366069020	Yes	3500	174
		230	60	1.15	Y-Δ (6)	2367269020	-	3500	179
		380	60	1.15	DOL (3)	2366669020	Yes	3500	174
		380	60	1.15	Y-Δ (6)	2367869020	-	3500	179
		415	50	1.0	DOL (3)	2366969020	-	3500	174
		460/380	60/50	1.15/1.0	DOL (3)	2366169020	Yes	3500	174
		460/380	60/50	1.15/1.0	Y-Δ (6)	2367169020	Yes	3500	179
		575	60	1.15	DOL (3)	2366269020	-	3500	174
	Sand Fighter™	200	60	1.15	DOL (3)	2366568120	Yes	3500	174
		220	50	1.0	DOL (3)	2366868120	-	3500	174
		230	60	1.15	DOL (3)	2366068120	Yes	3500	174
		380	60	1.15	DOL (3)	2366668120	-	3500	174
		415	50	1.0	DOL (3)	2366968120	-	3500	174
		460/380	60/50	1.15/1.0	DOL (3)	2366168120	Yes	3500	174
		460/380	60/50	1.15/1.0	Y-Δ (6)	2367168120	-	3500	179
		575	60	1.15	DOL (3)	2366268120	Yes	3500	174
	316 SS w/SubTrol™	200	60	1.15	DOL (3)	2366564020	-	3500	174
		230	60	1.15	DOL (3)	2366064020	-	3500	174
		380	60	1.15	DOL (3)	2366664020	-	3500	174
		460/380	60/50	1.15/1.0	DOL (3)	2366164020	Yes	3500	174
		460/380	60/50	1.15/1.0	Y-Δ (6)	2367164020	-	3500	179
		575	60	1.15	DOL (3)	2366264020	-	3500	174
	Hi-Temp 90°C	200	60	1.15	DOL (3)	2766560103	-	7500	300
		230	60	1.15	DOL (3)	2766060103	-	7500	300
		380	60	1.15	DOL (3)	2766660103	-	7500	300
		460/380	60/50	1.15/1.0	DOL (3)	2766160103	Yes	7500	300
		460/380	60/50	1.15/1.0	Y-Δ (6)	2767160103	-	7500	305
		575	60	1.15	DOL (3)	2766260103	-	7500	300
	Hi-Temp 90°C - 316 SS	200	60	1.15	DOL (3)	2766563103	-	7500	300
		230	60	1.15	DOL (3)	2766063103	-	7500	300
		380	60	1.15	DOL (3)	2766663103	-	7500	300
		460/380	60/50	1.15/1.0	DOL (3)	2766163103	-	7500	300
		575	60	1.15	DOL (3)	2766263103	-	7500	300



6" SUBMERSIBLE MOTORS - ORDERING INFORMATION

THREE-PHASE MODELS

HP	Description	Volts	Hz	S.F.	Motor Lead	Model No.	In Stock	Thrust Rating	Wt. (lbs)	
40	Water Well	200	60	1.15	Y-Δ (6)	2367679025	-	6000	207	
		230	60	1.15	Y-Δ (6)	2367279025	-	6000	207	
		380	60	1.15	DOL (3)	2366679025	-	6000	202	
		380	60	1.15	Y-Δ (6)	2367879025	-	6000	207	
		415	50	1.0	DOL (3)	2366979025	-	6000	202	
		460/380	60/50	1.15/1.0	DOL (3)	2366179025	Yes	6000	202	
		460/380	60/50	1.15/1.0	Y-Δ (6)	2367179025	-	6000	207	
		575	60	1.15	DOL (3)	2366279025	-	6000	202	
	Sand Fighter™	380	60	1.15	DOL (3)	2366678125	Yes	6000	202	
		415	50	1.0	DOL (3)	2366978125	-	6000	202	
		460/380	60/50	1.15/1.0	DOL (3)	2366178125	Yes	6000	202	
		460/380	60/50	1.15/1.0	Y-Δ (6)	2367178125	Yes	6000	207	
		575	60	1.15	DOL (3)	2366278125	Yes	6000	202	
	316 SS w/SubTro™	380	60	1.15	DOL (3)	2366674025	-	6000	202	
		460/380	60/50	1.15/1.0	DOL (3)	2366174025	Yes	6000	202	
		460/380	60/50	1.15/1.0	Y-Δ (6)	2367174025	-	6000	207	
		575	60	1.15	DOL (3)	2366274025	-	6000	202	
	Hi-Temp 90°C	380	60	1.15	DOL (3)	2766670103	-	10000	330	
		460/380	60/50	1.15/1.0	DOL (3)	2766170103	Yes	10000	330	
		460/380	60/50	1.15/1.0	Y-Δ (6)	2767170103	-	10000	335	
		575	60	1.15	DOL (3)	2766270103	-	10000	330	
	Hi-Temp 90°C - 316 SS	380	60	1.15	DOL (3)	2766673103	-	10000	330	
		460/380	60/50	1.15/1.0	DOL (3)	2766173103	-	10000	330	
		575	60	1.15	DOL (3)	2766273103	-	10000	330	
	50	Sand Fighter™	380	60	1.15	DOL (3)	2366688125	Yes	6000	300
			460/380	60/50	1.15/1.0	DOL (3)	2366188125	Yes	6000	300
			460/380	60/50	1.15/1.0	Y-Δ (6)	2367188125	Yes	6000	305
			575	60	1.15	DOL (3)	2366288125	Yes	6000	300
316 SS		380	60	1.15	DOL (3)	2366684025	-	6000	300	
		460/380	60/50	1.15/1.0	DOL (3)	2366184025	Yes	6000	300	
		460/380	60/50	1.15/1.0	Y-Δ (6)	2367184025	-	6000	305	
		575	60	1.15	DOL (3)	2366284025	-	6000	300	
60	Sand Fighter™	380	60	1.15	DOL (3)	2366698125	Yes	6000	330	
		460/380	60/50	1.15/1.0	DOL (3)	2366198125	Yes	6000	330	
		460/380	60/50	1.15/1.0	Y-Δ (6)	2367198125	Yes	6000	335	
		575	60	1.15	DOL (3)	2366298125	Yes	6000	330	
	316 SS	380	60	1.15	DOL (3)	2366694025	-	6000	330	
		460/380	60/50	1.15/1.0	DOL (3)	2366194025	Yes	6000	330	
		460/380	60/50	1.15/1.0	Y-Δ (6)	2367194025	-	6000	335	
		575	60	1.15	DOL (3)	2366294025	-	6000	330	

NOTE: Models designated above as Sand Fighter™ are water well construction; all 316 SS and Ni-Resist models are equipped with Sand Fighter™ sealing system; all models listed above include factory-installed leads (13 ft)

6" SUBMERSIBLE MOTORS - DIMENSIONS AND WEIGHTS

STANDARD

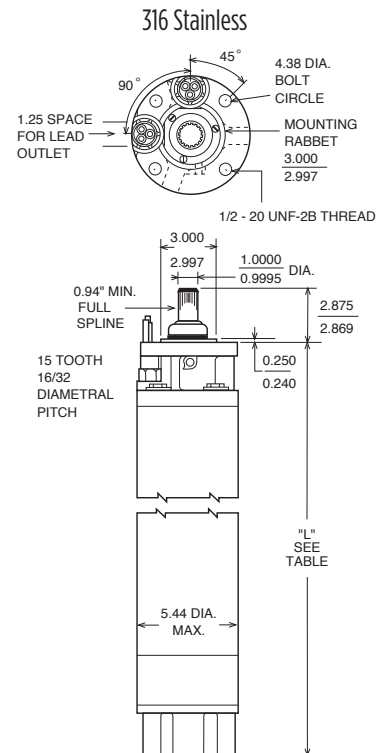
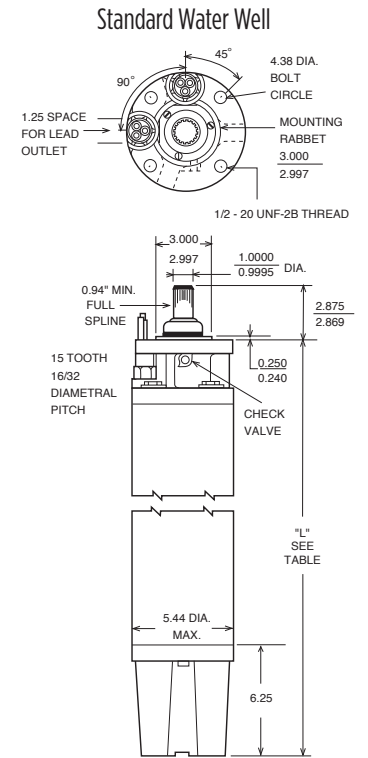
HP / kW	Construction	"L" (in)	Motor Carton Size (in)			Shipping Wt.	
			W	H	L	lbs	kg
5 / 3.7	304 SS 3-Lead	22.9	7.50	10.75	34.50	101	46
	316 SS 3-Lead	22.5	7.50	10.75	34.50	101	46
7.5 / 5.5	304 SS 3-Lead	24.2	7.50	10.75	34.50	108	49
	316 SS 3-Lead	23.8	7.50	10.75	34.50	108	49
10 / 7.5	304 SS 3-Lead	25.4	7.50	10.75	34.50	116	53
	316 SS 3-Lead	25.0	7.50	10.75	34.50	116	53
15 / 11	304 SS 3-Lead	28.0	7.50	10.75	34.50	129	59
	316 SS 3-Lead	27.6	7.50	10.75	34.50	129	59
20 / 15	304 SS 3-Lead	30.6	7.50	10.75	37.00	145	66
	316 SS 3-Lead	30.2	7.50	10.75	37.00	145	66
25 / 18.5	304 SS 3-Lead	33.1	7.50	10.75	42.25	156	71
	316 SS 3-Lead	32.7	7.50	10.75	42.25	156	71
30 / 22	304 SS 3-Lead	35.7	7.50	10.75	42.25	174	79
	316 SS 3-Lead	35.3	7.50	10.75	42.25	174	79
40 / 30	304 SS 3-Lead	40.8	7.50	10.75	47.25	202	92
	316 SS 3-Lead	40.4	7.50	10.75	47.25	202	92
50 / 37	304 SS 3-Lead	55.3	8.75	10.50	71.75	300	136
	316 SS 3-Lead	59.2	8.75	10.50	71.75	300	136
60 - 45	304 SS 3-Lead	61.3	8.75	10.50	71.75	330	150
	316 SS 3-Lead	65.2	8.75	10.50	71.75	330	150

NOTE: 6-Lead Y-Δ models available (add 5 lbs to shipping weight)

HIGH-TEMP 90

HP / kW	Construction	L (in)	Motor Carton Size (in)			Shipping Wt.	
			W	H	L	lbs	kg
5 / 3.7	304 SS 3-Lead	26.4	9	11	35	116	53
	316 SS 3-Lead	26.4	9	11	35	116	53
7.5 / 5.5	304 SS 3-Lead	28.96	9	11	37	129	59
	316 SS 3-Lead	28.96	9	11	37	129	59
10 / 7.5	304 SS 3-Lead	31.52	9	11	42	145	66
	316 SS 3-Lead	31.52	9	11	42	145	66
15 / 11	304 SS 3-Lead	34.09	9	11	42	156	71
	316 SS 3-Lead	34.09	9	11	42	156	71
20 / 15	304 SS 3-Lead	36.65	9	11	51	174	79
	316 SS 3-Lead	36.65	9	11	51	174	79
25 / 18.5	304 SS 3-Lead	41.77	9	11	51	202	92
	316 SS 3-Lead	41.77	9	11	51	202	92
30 / 22	304 SS 3-Lead	58.14	9	11	72	300	136
	316 SS 3-Lead	58.14	9	11	72	300	136
40 / 30	304 SS 3-Lead	64.14	9	11	72	330	150
	316 SS 3-Lead	64.14	9	11	72	330	150

NOTE: 6-Lead Y-Δ models available (add 5 lbs to shipping weight)





6" SUBMERSIBLE MOTORS - LEADS AND ACCESSORIES

MOTOR LEADS AND CABLES

HP	Model	Description	Wire AWG	Model No.	Wt. (lbs)
All	Standard	Lead, XLPE, Brass, 13 ft, w/Ground	8	305517901	4
		Lead, XLPE, Brass, 26 ft, w/Ground	8	305517902	9
		Lead, XLPE, 316 SS, 13 ft, w/Ground	8	305517951	4
		Lead, XLPE, 316 SS, 26 ft, w/Ground	10	305518952	9
		Lead, XLPE, 316 SS, 26 ft, w/Ground	8	305517952	9
5-30		Lead, XLPE, 316 SS, 50 ft, w/Ground	10	305518955	11
		Lead, XLPE, 316 SS, 75 ft, w/Ground	8	305517955	16
		Lead, XLPE, 316 SS, 75 ft, w/Ground	10	305518957	16
		Lead, XLPE, 316 SS, 75 ft, w/Ground	8	305517957	24
		Lead, XLPE, 316 SS, 100 ft, w/Ground	10	305518960	21
		Lead, XLPE, 316 SS, 100 ft, w/Ground	8	305517960	32
		Lead, XLPE, 316 SS, 125 ft, w/Ground	10	305518962	27
		Lead, XLPE, 316 SS, 125 ft, w/Ground	8	305517962	40
		Lead, XLPE, 316 SS, 150 ft, w/Ground	10	305518965	32
		Lead, XLPE, 316 SS, 150 ft, w/Ground	8	305517965	48
All	Hi-Temp	Lead, XLPO, 316 SS, 13 ft, w/Ground	8	305519951	4
		Lead, XLPO, 316 SS, 26 ft, w/Ground	8	305519952	9
		Lead, XLPO, 316 SS, 50 ft, w/Ground	8	305519955	16
5-30		Lead, XLPO, 316 SS, 75 ft, w/Ground	8	305519957	24
		Lead, XLPO, 316 SS, 100 ft, w/Ground	8	305519960	32
		Lead, XLPO, 316 SS, 125 ft, w/Ground	8	305519962	40
		Lead, XLPO, 316 SS, 150 ft, w/Ground	8	305519965	48

NOTE: Refer to Franklin Application Installation Maintenance (AIM) Manual for accurate cable sizing; MOTOR WARRANTY IS VOID if Franklin-supplied leads are not used

MOTOR ACCESSORIES

HP	Description	Model No.	Wt. (lbs)
All	Coupling, 6-inch, #416 SS, 3/4" Pump Shaft, 3/16 x 1/8 x 1-3/4 Key	151935902	2
	Coupling, 6-inch, #416 SS, 7/8" Pump Shaft, 1/4 x 3/16 x 1-3/4 Key	151935901	2
	Coupling, 6-inch, #416 SS, 1" Pump Shaft, 1/4 x 3/16 x 1-3/4 Key	151935909	2
	Coupling, 6-inch, #316 SS, 3/4" Pump Shaft, 3/16 x 1/8 x 1-3/4 Key	151935922	2
	Coupling, 6-inch, #316 SS, 7/8" Pump Shaft, 1/4 x 3/16 x 1-3/4 Key	151935921	2
	Coupling, 6-inch, #316 SS, 1" Pump Shaft, 1/4 x 3/16 x 1-3/4 Key	151935929	2
	Surge Arrestor - Three-Phase - Up to 650 V to Ground	155440902	2
	PT 100 Sensor - 6-inch (1/2-13 Threads)	305327903	<2