

HIGH PERFORMANCE BOOSTER PUMPS - BT4 SERIES

FEATURES

- Stainless steel discharge on all models
- Stainless steel or cast iron bracket with a rugged support foot for horizontal or vertical mounting and a handle for portability
- Built with Franklin's patented (U.S. patent) 7,290,984 Tri-Seal floating stage system, providing maximum efficiency, longevity, and performance
- Acetal impellers, Modified PPO diffusers, and 300-series stainless steel hub, eye seals, shaft, and shell
- Mechanical seal with standard phenolic/ceramic faces, FKM elastomers, and stainless steel components
- Industry-proven ODP square-flange motors easily serviced through a back pull-out design, leaving the pump and plumbing undisturbed in their original location
- High service factor, 1/2-3 hp, dual-voltage motors
- Shut-off pressures up to 270 psi, flow rates from 5-25 gpm, and temperatures up to 120 °F/49 °C



ORDERING INFORMATION

Model	HP	Phase	Suc. x Dis. (NPT)	GPM	Construction	Volts	Order No.	Wt. (lbs)
5FBT05S4-T	1/2	3	1" x 1"	5	Stainless Steel	208-230/460	95830555	37
5FBT07S4-T	3/4						95830560	41
5FBT1S4-T	1						95830565	46
7FBT05S4-T	1/2					208-230/460	95830755	37
7FBT07S4-T	3/4						95830760	40
7FBT1S4-T	1						95830765	46
7FBT15S4-T	1-1/2			208-230/460		95830770	53	
10FBT05S4-T	1/2					95831055	37	
10FBT07S4-T	3/4					95831060	39	
10FBT1S4-T	1			208-230/460		95831065	45	
10FBT15S4-T	1-1/2					95831070	52	
10FBT2S4-T	2					95831075	56	
15FBT07S4-T	3/4			208-230/460		95831560	39	
15FBT1S4-T	1					95831565	44	
15FBT15S4-T	1-1/2					95831570	49	
15FBT2S4-T	2			208-230/460		95831575	55	
20FBT07S4-T	3/4					95832060	39	
20FBT1S4-T	1					95832065	44	
20FBT15S4-T	1-1/2			208-230/460		95832070	51	
20FBT2S4-T	2					95832075	55	
20FBT3S4-T	3					95832080	67	
25FBT1S4-T	1			208-230/460		95832565	44	
25FBT15S4-T	1-1/2					95832570	48	
25FBT2S4-T	2					95832575	54	
25FBT3S4-T	3		95832580	66				

HIGH PERFORMANCE BOOSTER PUMPS - BT4 SERIES

ORDERING INFORMATION

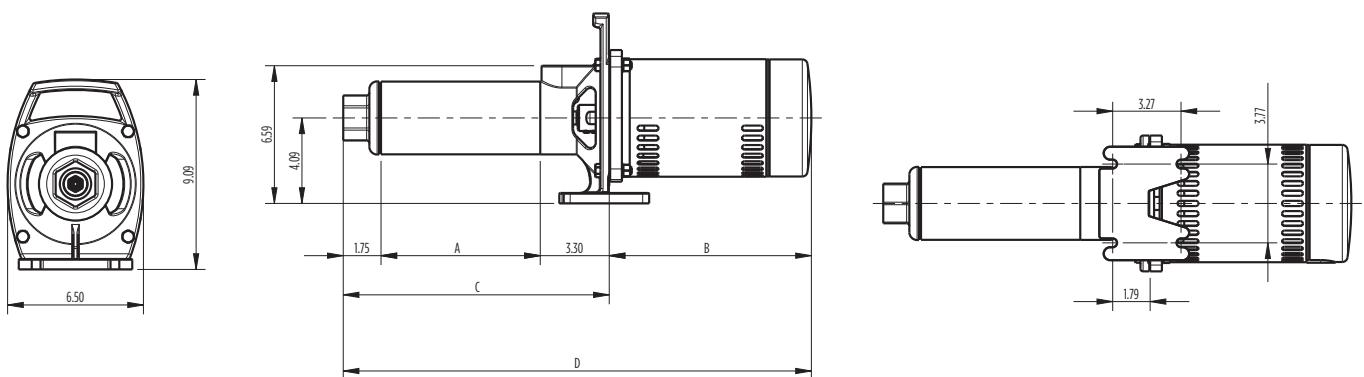
Model	HP	Phase	Suc. x Dis. (NPT)	GPM	Inlet Construction	Volts	Order No.	Wt. (lbs)
5FBT05S4	1/2	1	1" x 1"	5	Stainless Steel	115/230	95830510	37
5FBT07S4	3/4						95830515	41
5FBT1S4	1						95830520	46
5FBT05C4	1/2				Cast Iron		95880505	36
5FBT07C4	3/4						95880510	40
5FBT1C4	1						95880515	43
7FBT05S4	1/2			7	Stainless Steel		95830710	37
7FBT07S4	3/4						95830715	40
7FBT1S4	1						95830720	46
7FBT15S4	1-1/2				Cast Iron		95830725	53
7FBT05C4	1/2						95880705	36
7FBT07C4	3/4						95880710	40
7FBT1C4	1			95880715	43			
7FBT15C4	1-1/2			95880720	48			
10FBT05S4	1/2			10	Stainless Steel		95831010	37
10FBT07S4	3/4						95831015	39
10FBT1S4	1						95831020	45
10FBT15S4	1-1/2				Cast Iron		95831025	52
10FBT2S4	2						95831030	56
10FBT05C4	1/2						95881005	35
10FBT07C4	3/4			95881010	39			
10FBT1C4	1			95881015	42			
10FBT15C4	1-1/2			95881020	48			
10FBT2C4	2			95881025	55			
15FBT07S4	3/4			15	Stainless Steel		95831515	39
15FBT1S4	1						95831520	44
15FBT15S4	1-1/2						95831525	49
15FBT2S4	2				Cast Iron		95831530	55
15FBT07C4	3/4						95881510	39
15FBT1C4	1						95881515	41
15FBT15C4	1-1/2	95881520	47					
15FBT2C4	2	95881525	52					
20FBT07S4	3/4	20	Stainless Steel	95832015	39			
20FBT1S4	1			95832020	44			
20FBT15S4	1-1/2			95832025	51			
20FBT2S4	2		Cast Iron	95832030	55			
20FBT3S4	3			230	95832035	67		
20FBT07C4	3/4			115/230	95882010	39		
20FBT1C4	1	95882015	41					
20FBT15C4	1-1/2	95882020	47					
20FBT2C4	2	95882025	54					
20FBT3C4	3	230	95882035	70				
25FBT1S4	1	25	Stainless Steel	95832520	44			
25FBT15S4	1-1/2			115/230	95832525	48		
25FBT2S4	2			95832530	54			
25FBT3S4	3		Cast Iron	230	95832535	66		
25FBT1C4	1			95882515	41			
25FBT15C4	1-1/2			115/230	95882520	46		
25FBT2C4	2	95882525	51					
25FBT3C4	3	230	95882535	69				

NOTE: Includes FKM mechanical seal and high service factor motor.

HIGH PERFORMANCE BOOSTER PUMPS - BT4 SERIES

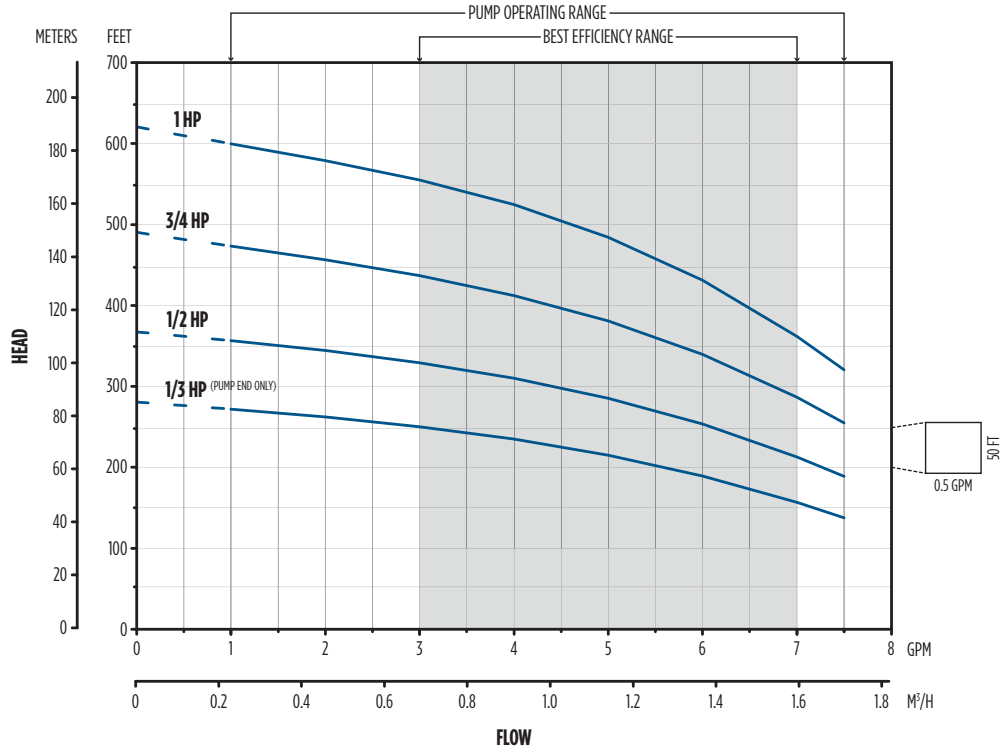
DIMENSIONS

GPM	HP	Stage	A	B	C	D
5	1/3	7	8.44	9.63	13.49	23.12
	1/2	9	10.09	10.38	15.14	25.52
	7/10	12	12.55	11.00	17.60	28.60
	1	15	15.01	11.88	20.06	31.94
7	1/3	6	7.62	9.63	12.67	22.30
	1/2	8	9.26	10.38	14.31	24.69
	7/10	10	10.91	11.00	15.96	26.96
	1	14	14.19	11.88	19.24	31.12
	1-1/2	19	18.30	12.63	23.35	35.98
10	1/3	5	7.2	9.63	12.27	21.90
	1/2	7	9.02	10.38	14.07	24.45
	7/10	8	9.93	11.00	14.98	25.98
	1	11	12.64	11.88	17.69	29.57
	1-1/2	15	16.26	12.63	21.31	33.94
	2	18	18.97	12.63	24.02	36.65
15	1/2	5	7.22	10.38	12.27	22.65
	7/10	6	8.12	11.00	13.17	24.17
	1	8	9.93	11.88	14.98	26.86
	1-1/2	12	13.54	12.63	18.59	31.22
	2	15	16.26	12.63	21.31	33.94
20	1/2	4	7.59	10.38	12.64	23.02
	7/10	5	8.82	11.00	13.87	24.87
	1	7	11.26	11.88	16.31	28.19
	1-1/2	10	14.94	12.63	19.99	32.62
	2	12	17.38	12.63	22.43	35.06
	3	15	21.06	13.18	26.11	39.29
25	7/10	4	7.59	11.00	12.64	23.64
	1	6	10.04	11.88	15.09	26.97
	1-1/2	8	12.49	12.63	17.54	30.17
	2	10	14.94	12.63	19.99	32.62
	3	13	18.61	13.18	23.66	36.84

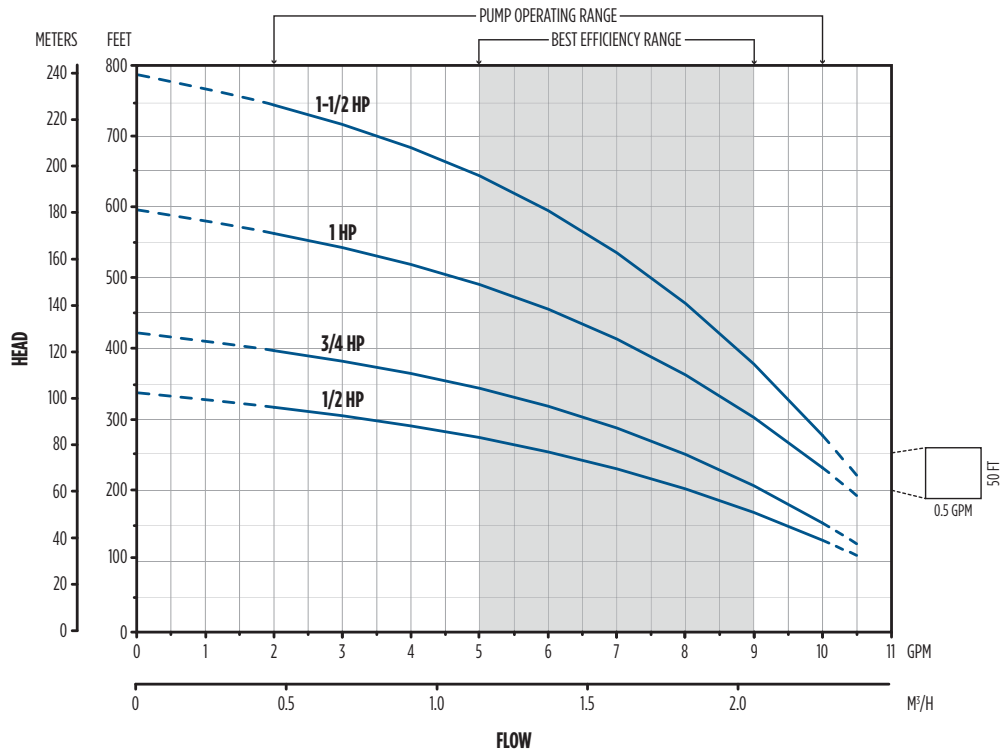


HIGH PERFORMANCE BOOSTER PUMPS - BT4 SERIES

PERFORMANCE: 5 GPM

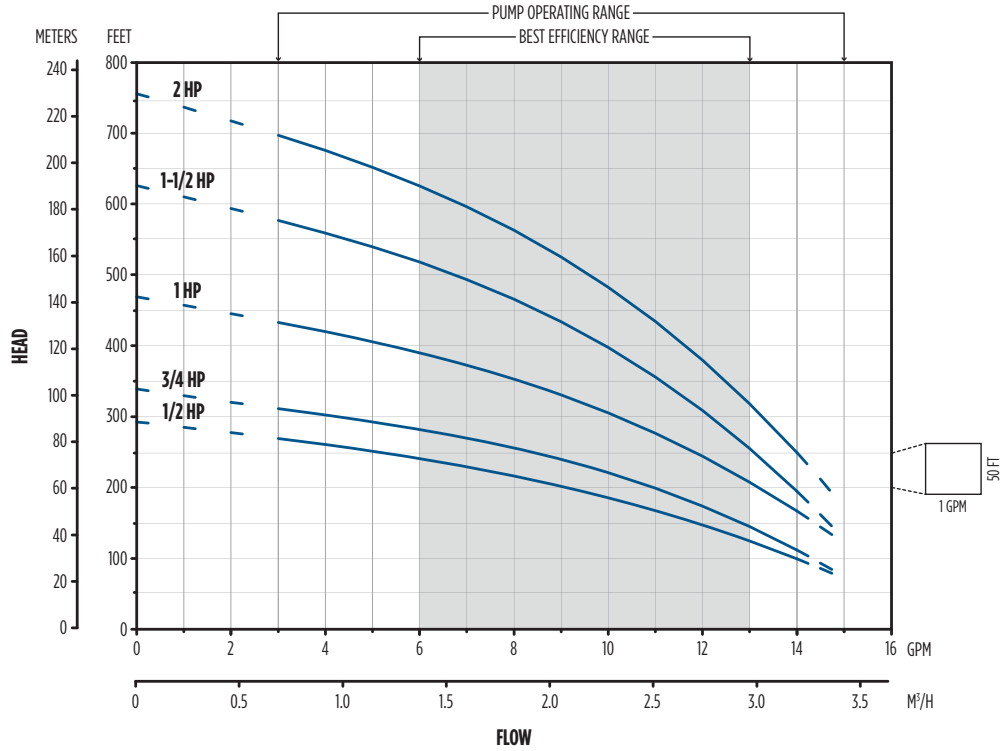


PERFORMANCE: 7 GPM

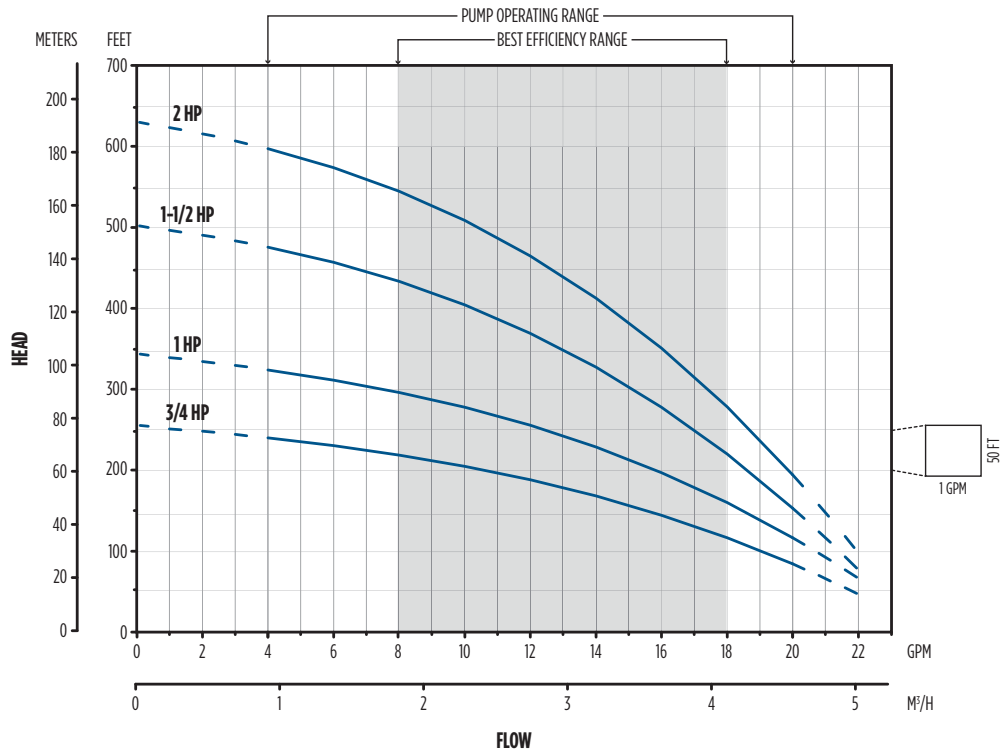


HIGH PERFORMANCE BOOSTER PUMPS - BT4 SERIES

PERFORMANCE: 10 GPM



PERFORMANCE: 15 GPM



HIGH PERFORMANCE BOOSTER PUMPS - BT4 SERIES

PERFORMANCE: 20 GPM

This graph shows the performance of BT4 Series booster pumps at a flow rate of 20 GPM. The y-axis represents head in meters (0 to 180) and feet (0 to 600). The x-axis represents flow in GPM (0 to 30) and M³/H (0 to 7). Five pump models are shown: 3 HP, 2 HP, 1-1/2 HP, 1 HP, and 3/4 HP. A shaded region indicates the 'BEST EFFICIENCY RANGE' between approximately 15 and 25 GPM. A 'PUMP OPERATING RANGE' is also indicated. A callout shows a 50 FT head for 2.5 GPM.

Flow (GPM)	3 HP Head (FT)	2 HP Head (FT)	1-1/2 HP Head (FT)	1 HP Head (FT)	3/4 HP Head (FT)
0	170	135	110	80	55
5	165	130	105	75	55
10	155	120	100	70	55
15	145	110	95	65	55
20	130	100	90	60	55
25	115	90	85	55	55
30	100	80	80	50	55

PERFORMANCE: 25 GPM

This graph shows the performance of BT4 Series booster pumps at a flow rate of 25 GPM. The y-axis represents head in meters (0 to 140) and feet (0 to 500). The x-axis represents flow in GPM (0 to 40) and M³/H (0 to 8). Four pump models are shown: 3 HP, 2 HP, 1-1/2 HP, and 1 HP. A shaded region indicates the 'BEST EFFICIENCY RANGE' between approximately 15 and 30 GPM. A 'PUMP OPERATING RANGE' is also indicated. A callout shows a 50 FT head for 2.5 GPM.

Flow (GPM)	3 HP Head (FT)	2 HP Head (FT)	1-1/2 HP Head (FT)	1 HP Head (FT)
0	145	110	90	65
5	145	110	90	65
10	140	105	85	65
15	130	100	80	60
20	115	90	75	55
25	100	80	70	50
30	85	70	65	45
35	70	60	60	40
40	55	50	55	35

42