

BOOSTER PUMPS

Franklin’s booster pumps feature a stainless steel construction and are designed to meet any pressure-boosting need. The selection is available in a range of horsepower sizes, in single- and three-phase configurations, and offer high performance for a wide variety of applications. Whether boosting water pressure from a city main or a private water system, Franklin’s quality pumps will fulfill the task.

PRODUCT FAMILY

- MH Series
- BT4 Series
- BT4 Series 56C Pump Ends

APPLICATIONS

- Pressure Boosting (from city mains or private water systems)
- Water Transfer and Circulation
- Lawn and Crop Irrigation
- Residential Lawn Sprinkler Systems
- Reverse Osmosis (MH/SS BT4)
- Filtration (SS BT4)
- Pressure Washing
- Poultry Houses
- Equipment Spray Cooling
- Evaporative Cooling System Misters
- General Purpose Plumbing
- Aeration
- Wash-Down Applications
- Commercial Water Features and Fountains
- Cisterns



FAMILY COMPARISON CHART

Model	Performance	50	100	150	200	250	300	350
MH Series	Shut-off PSI	140						
	Max. GPM	64						
BT4 Series	Shut-off PSI	326						
	Max. GPM	32						

MULTI-STAGE BOOSTER PUMPS - MH SERIES

FEATURES

- 300-series stainless steel wet end
- FKM mechanical shaft seal for added chemical resistance
- High quality, industry proven, UL778 approved, indoor/outdoor square-flange motors
- Available in 15, 30, and 45 gpm flow rates
- High pressure capability of 140 psi
- Able to pump fluids at temperatures up to 225 °F
- Can operate in suction lift installation up to 10 feet



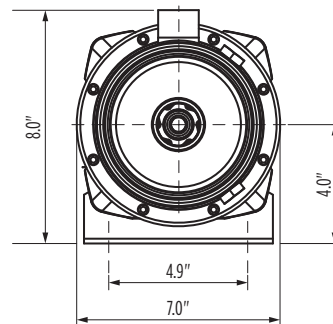
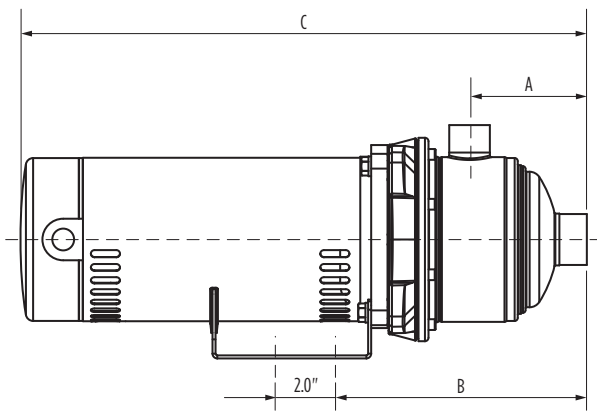
ORDERING INFORMATION

Model No.	HP	Phase	Dis. x Suc. (NPT)	Stage	GPM	Voltage	Order No.	Wt. (lbs)	
15FMH05S2	1/2	1	1" x 1-1/4"	2	15	115/230	96061500	22	
15FMH07S3	3/4			3			96061501	25	
15FMH1S4	1			4			96061502	29	
15FMH1S5	1-1/2			5			96061503	35	
15FMH2S6	2			6			96061504	40	
30FMH07S2	3/4			2			96063000	25	
30FMH1S3	1		3	96063001	33				
30FMH1S4	1-1/2		4	96063002	37				
30FMH2S5	2		5	96063003	41				
45FMH1S2	1-1/2		1-1/4" x 1-1/2"	2	45		96064500	33	
45FMH2S3	2			3			96064501	39	
15FMH05S2-T	1/2			2			208-230/460	96061510	24
15FMH07S3-T	3/4	3	96061511	24					
15FMH1S4-T	1	4	96061512	29					
15FMH1S5-T	1-1/2	5	96061513	34					
15FMH2S6-T	2	6	96061514	42					
30FMH07S2-T	3/4	1" x 1-1/4"	2	30	96063010	24			
30FMH1S3-T	1		3		96063011	33			
30FMH1S4-T	1-1/2		4		96063012	36			
30FMH2S5-T	2		5		96063013	43			
45FMH1S2-T	1-1/2		1-1/4" x 1-1/2"		2	45		96064510	32
45FMH2S3-T	2				3			96064511	41

MULTI-STAGE BOOSTER PUMPS - MH SERIES

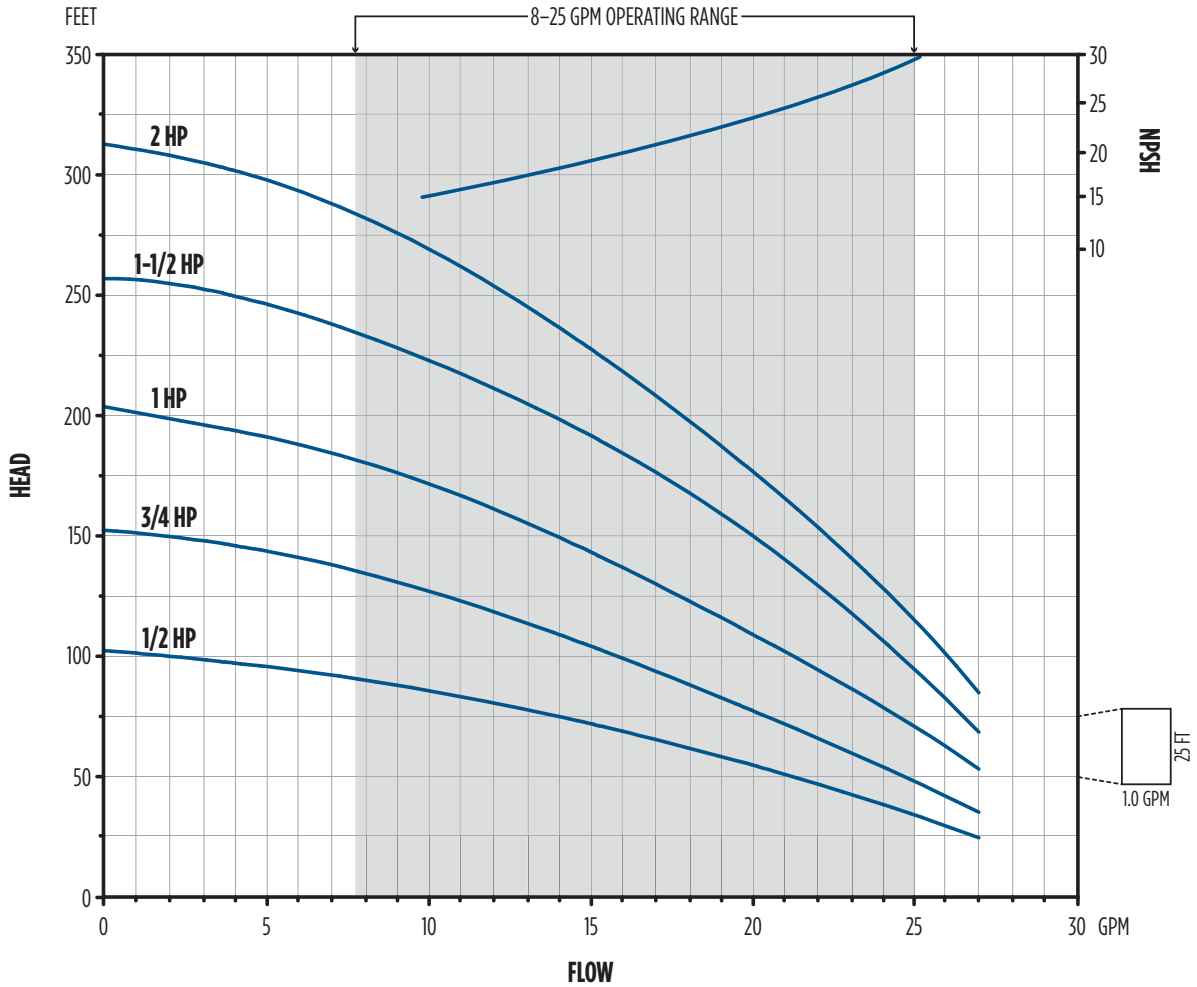
DIMENSIONS

Model	HP	Phase	GPM	Stage	A	B	C	
15FMH05S2	1/2	1	15	2	4.06"	8.75"	16.75"	
15FMH07S3	3/4			3	4.06"	8.75"	17.50"	
15FMH1S4	1			4	5.00"	9.69"	19.07"	
15FMH1S5	1-1/2			5	5.94"	10.64"	20.81"	
15FMH2S6	2			6	6.89"	11.58"	22.59"	
30FMH07S2	3/4			30	2	4.06"	8.75"	17.50"
30FMH1S3	1		3		4.06"	8.75"	19.00"	
30FMH1S4	1-1/2		4		5.00"	9.69"	20.70"	
30FMH2S5	2		5		5.94"	10.64"	21.64"	
45FMH1S2	1-1/2		45		2	4.65"	9.34"	19.67"
45FMH2S3	2				3	4.65"	9.34"	20.50"
15FMH05S2-T	1/2		3	15	2	4.06"	8.75"	16.97"
15FMH07S3-T	3/4	3			4.06"	8.75"	17.62"	
15FMH1S4-T	1	4			5.00"	9.69"	18.92"	
15FMH1S5-T	1-1/2	5			5.94"	10.64"	20.78"	
15FMH2S6-T	2	6			6.89"	11.58"	22.56"	
30FMH07S2-T	3/4	30			2	4.06"	8.75"	17.62"
30FMH1S3-T	1			3	4.06"	8.75"	18.85"	
30FMH1S4-T	1-1/2			4	5.00"	9.69"	20.67"	
30FMH2S5-T	2			5	5.94"	10.64"	21.61"	
45FMH1S2-T	1-1/2			45	2	4.65"	9.34"	19.64"
45FMH2S3-T	2				3	4.65"	9.34"	20.47"



MULTI-STAGE BOOSTER PUMPS - MH SERIES

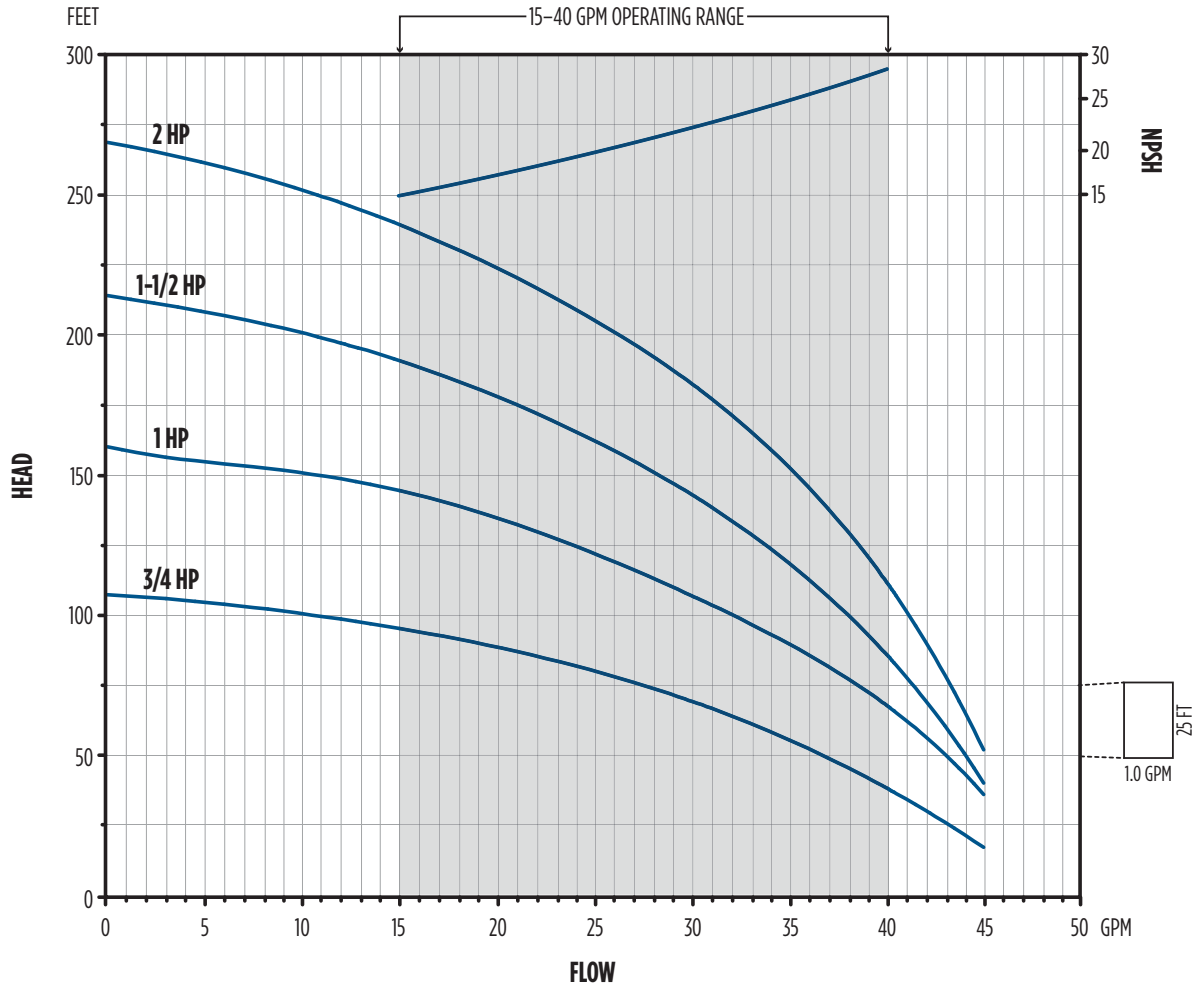
PERFORMANCE - 15 GPM



Model	HP	Total Head (ft)																				Shut-off Head (PSI)			
		50	60	70	80	90	100	110	120	130	140	150	160	170	180	190	200	210	220	230	240		250	260	270
		Capacities (GPM)																							
15FMH05S2	1/2	21.0	18.0	15.0	12.0	8.0	1.0	-	-	-	-	-	-	-	-	-	-	-	-	-	-	-	-	-	44
15FMH05S2-T																									
15FMH07S3	3/4	25.0	23.0	21.0	19.0	18.0	16.0	14.0	12.0	9.0	6.0	1.0	-	-	-	-	-	-	-	-	-	-	-	-	66
15FMH07S3-T																									
15FMH1S4	1	-	26.0	25.0	24.0	23.0	21.0	20.0	18.0	17.0	15.0	14.0	12.0	10.0	8.0	5.0	1.0	-	-	-	-	-	-	-	88
15FMH1S4-T																									
15FMH1S5S	1-1/2	-	-	27.0	26.0	25.0	25.0	24.0	23.0	22.0	21.0	20.0	19.0	18.0	16.0	15.0	14.0	12.0	10.0	9.0	6.0	4.0	-	-	111
15FMH1S5S-T																									
15FMH2S6	2	-	-	-	-	27.0	26.0	25.0	25.0	24.0	23.0	22.0	21.0	21.0	20.0	19.0	18.0	17.0	16.0	15.0	14.0	12.0	11.0	10.0	135
15FMH2S6-T																									

MULTI-STAGE BOOSTER PUMPS - MH SERIES

PERFORMANCE - 30 GPM

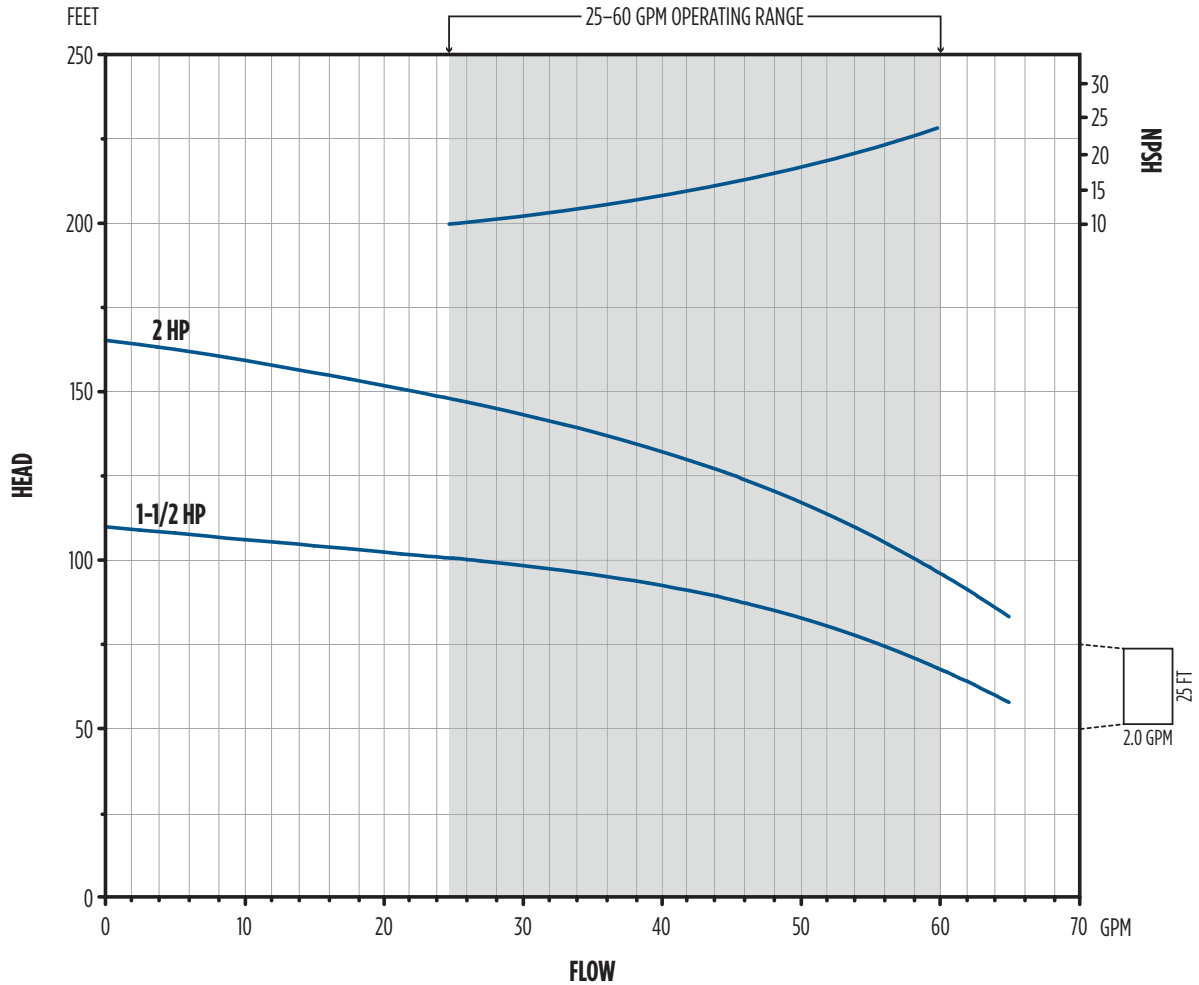


Model	HP	Total Head (ft)																		Shut-off Head (PSI)		
		50	60	70	80	90	100	110	120	130	140	150	160	170	180	190	200	210	220		230	240
		Capacities (GPM)																				
30FMH07S2	3/4	37.0	33.0	30.0	25.0	19.0	10.0	-	-	-	-	-	-	-	-	-	-	-	-	-	-	47
30FMH07S2-T																						
30FMH1S3	1	43.0	41.0	40.0	37.0	35.0	32.0	29.0	26.0	22.0	17.0	11.0	-	-	-	-	-	-	-	-	-	69
30FMH1S3-T																						
30FMH1S5S4	1-1/2	44.0	43.0	42.0	41.0	39.0	38.0	36.0	35.0	33.0	31.0	28.0	26.0	23.0	19.0	15.0	10.0	3.0	-	-	-	93
30FMH1S5S4-T																						
30FMH2S5	2	-	44.0	44.0	43.0	42.0	41.0	40.0	39.0	38.0	37.0	35.0	34.0	32.0	30.0	28.0	26.0	24.0	21.0	18.0	15.0	116
30FMH2S5-T																						



MULTI-STAGE BOOSTER PUMPS - MH SERIES

PERFORMANCE - 45 GPM



Model	HP	Total Head (ft)											Shut-off Head (PSI)	
		60	70	80	90	100	110	120	130	140	150	160		
		Capacities (GPM)												
45FMH15S2	1-1/2	64.0	59.0	52.0	43.0	26.0	-	-	-	-	-	-	-	47
45FMH15S2-T														
45FMH2S3	2	-	-	-	62.0	58.0	54.0	48.0	42.0	33.0	22.0	9.0	71	
45FMH2S3-T														

HIGH PERFORMANCE BOOSTER PUMPS - BT4 SERIES

FEATURES

- Stainless steel discharge on all models
- Stainless steel or cast iron bracket with a rugged support foot for horizontal or vertical mounting and a handle for portability
- Built with Franklin's patented (U.S. patent) 7,290,984 Tri-Seal floating stage system, providing maximum efficiency, longevity, and performance
- Acetal impellers, Modified PPO diffusers, and 300-series stainless steel hub, eye seals, shaft, and shell
- Mechanical seal with standard phenolic/ceramic faces, FKM elastomers, and stainless steel components
- Industry-proven ODP square-flange motors easily serviced through a back pull-out design, leaving the pump and plumbing undisturbed in their original location
- High service factor, 1/2-3 hp, dual-voltage motors
- Shut-off pressures up to 270 psi, flow rates from 5-25 gpm, and temperatures up to 120 °F/49 °C



ORDERING INFORMATION

Model	HP	Phase	Suc. x Dis. (NPT)	GPM	Construction	Volts	Order No.	Wt. (lbs)		
5FBT05S4-T	1/2	3	1" x 1"	5	Stainless Steel	208-230/460	95830555	37		
5FBT07S4-T	3/4						95830560	41		
5FBT1S4-T	1						95830565	46		
7FBT05S4-T	1/2						7	208-230/460	95830755	37
7FBT07S4-T	3/4								95830760	40
7FBT1S4-T	1								95830765	46
7FBT15S4-T	1-1/2			95830770		53				
10FBT05S4-T	1/2			10		208-230/460			95831055	37
10FBT07S4-T	3/4								95831060	39
10FBT1S4-T	1						95831065	45		
10FBT15S4-T	1-1/2						95831070	52		
10FBT2S4-T	2						95831075	56		
15FBT07S4-T	3/4						15	208-230/460	95831560	39
15FBT1S4-T	1			95831565		44				
15FBT15S4-T	1-1/2			95831570		49				
15FBT2S4-T	2			95831575		55				
20FBT07S4-T	3/4			20		208-230/460			95832060	39
20FBT1S4-T	1								95832065	44
20FBT15S4-T	1-1/2						95832070	51		
20FBT2S4-T	2						95832075	55		
20FBT3S4-T	3						95832080	67		
25FBT1S4-T	1						25	208-230/460	95832565	44
25FBT15S4-T	1-1/2			95832570		48				
25FBT2S4-T	2			95832575		54				
25FBT3S4-T	3	95832580	66							

HIGH PERFORMANCE BOOSTER PUMPS - BT4 SERIES

ORDERING INFORMATION

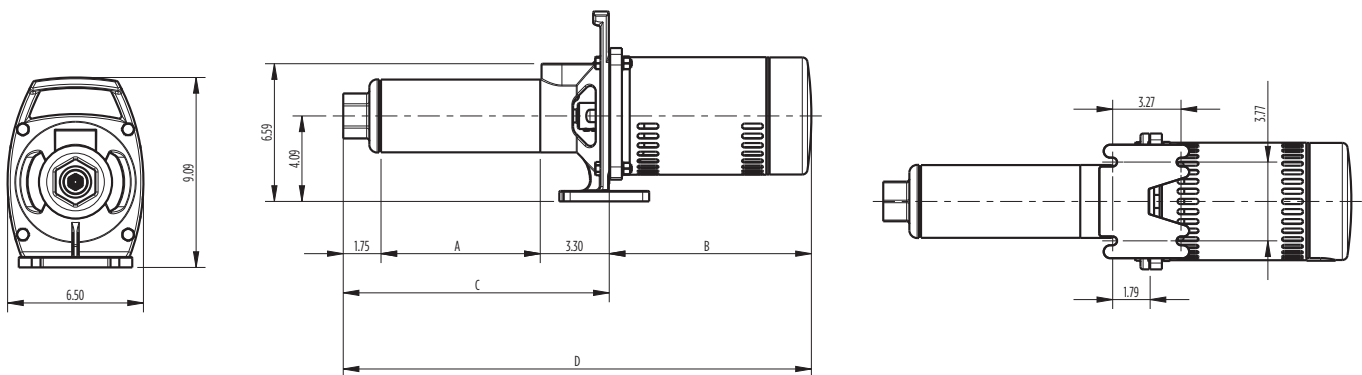
Model	HP	Phase	Suc. x Dis. (NPT)	GPM	Inlet Construction	Volts	Order No.	Wt. (lbs)
5FBT05S4	1/2	1	1" x 1"	5	Stainless Steel	115/230	95830510	37
5FBT07S4	3/4						95830515	41
5FBT1S4	1						95830520	46
5FBT05C4	1/2				95880505		36	
5FBT07C4	3/4				95880510		40	
5FBT1C4	1				95880515		43	
7FBT05S4	1/2			7	Stainless Steel		95830710	37
7FBT07S4	3/4						95830715	40
7FBT1S4	1						95830720	46
7FBT15S4	1-1/2				95830725		53	
7FBT05C4	1/2				95880705		36	
7FBT07C4	3/4				95880710		40	
7FBT1C4	1			95880715	43			
7FBT15C4	1-1/2			95880720	48			
10FBT05S4	1/2			10	Stainless Steel		95831010	37
10FBT07S4	3/4						95831015	39
10FBT1S4	1						95831020	45
10FBT15S4	1-1/2				95831025		52	
10FBT2S4	2				95831030	56		
10FBT05C4	1/2				95881005	35		
10FBT07C4	3/4			95881010	39			
10FBT1C4	1			95881015	42			
10FBT15C4	1-1/2			95881020	48			
10FBT2C4	2			95881025	55			
15FBT07S4	3/4			15	Stainless Steel	95831515	39	
15FBT1S4	1					95831520	44	
15FBT15S4	1-1/2					95831525	49	
15FBT2S4	2				95831530	55		
15FBT07C4	3/4				95881510	39		
15FBT1C4	1				95881515	41		
15FBT15C4	1-1/2			95881520	47			
15FBT2C4	2			95881525	52			
20FBT07S4	3/4			20	Stainless Steel	95832015	39	
20FBT1S4	1					95832020	44	
20FBT15S4	1-1/2					95832025	51	
20FBT2S4	2				95832030	55		
20FBT3S4	3	95832035	67					
20FBT07C4	3/4	95882010	39					
20FBT1C4	1	95882015	41					
20FBT15C4	1-1/2	95882020	47					
20FBT2C4	2	95882025	54					
20FBT3C4	3	95882035	70					
25FBT1S4	1	25	Stainless Steel	95832520	44			
25FBT15S4	1-1/2			95832525	48			
25FBT2S4	2			95832530	54			
25FBT3S4	3		95832535	66				
25FBT1C4	1		95882515	41				
25FBT15C4	1-1/2		95882520	46				
25FBT2C4	2	95882525	51					
25FBT3C4	3	95882535	69					

NOTE: Includes FKM mechanical seal and high service factor motor.

HIGH PERFORMANCE BOOSTER PUMPS - BT4 SERIES

DIMENSIONS

GPM	HP	Stage	A	B	C	D
5	1/3	7	8.44	9.63	13.49	23.12
	1/2	9	10.09	10.38	15.14	25.52
	7/10	12	12.55	11.00	17.60	28.60
	1	15	15.01	11.88	20.06	31.94
7	1/3	6	7.62	9.63	12.67	22.30
	1/2	8	9.26	10.38	14.31	24.69
	7/10	10	10.91	11.00	15.96	26.96
	1	14	14.19	11.88	19.24	31.12
	1-1/2	19	18.30	12.63	23.35	35.98
10	1/3	5	7.2	9.63	12.27	21.90
	1/2	7	9.02	10.38	14.07	24.45
	7/10	8	9.93	11.00	14.98	25.98
	1	11	12.64	11.88	17.69	29.57
	1-1/2	15	16.26	12.63	21.31	33.94
	2	18	18.97	12.63	24.02	36.65
15	1/2	5	7.22	10.38	12.27	22.65
	7/10	6	8.12	11.00	13.17	24.17
	1	8	9.93	11.88	14.98	26.86
	1-1/2	12	13.54	12.63	18.59	31.22
	2	15	16.26	12.63	21.31	33.94
20	1/2	4	7.59	10.38	12.64	23.02
	7/10	5	8.82	11.00	13.87	24.87
	1	7	11.26	11.88	16.31	28.19
	1-1/2	10	14.94	12.63	19.99	32.62
	2	12	17.38	12.63	22.43	35.06
	3	15	21.06	13.18	26.11	39.29
25	7/10	4	7.59	11.00	12.64	23.64
	1	6	10.04	11.88	15.09	26.97
	1-1/2	8	12.49	12.63	17.54	30.17
	2	10	14.94	12.63	19.99	32.62
	3	13	18.61	13.18	23.66	36.84



HIGH PERFORMANCE BOOSTER PUMPS - BT4 SERIES

PERFORMANCE: 5 GPM

PERFORMANCE: 5 GPM

This graph shows the performance of BT4 Series pumps at a flow rate of 5 GPM. The y-axis represents head in meters and feet, and the x-axis represents flow in GPM and M³/H. The operating range is indicated by a shaded area between approximately 3.5 and 7.5 GPM.

Flow (GPM)	1 HP Head (FT)	3/4 HP Head (FT)	1/2 HP Head (FT)	1/3 HP Head (FT)
0	~600	~500	~400	~300
1	~580	~480	~380	~280
2	~560	~460	~360	~260
3	~540	~440	~340	~240
4	~520	~420	~320	~220
5	~500	~400	~300	~200
6	~480	~380	~280	~180
7	~460	~360	~260	~160
8	~440	~340	~240	~140

PERFORMANCE: 7 GPM

PERFORMANCE: 7 GPM

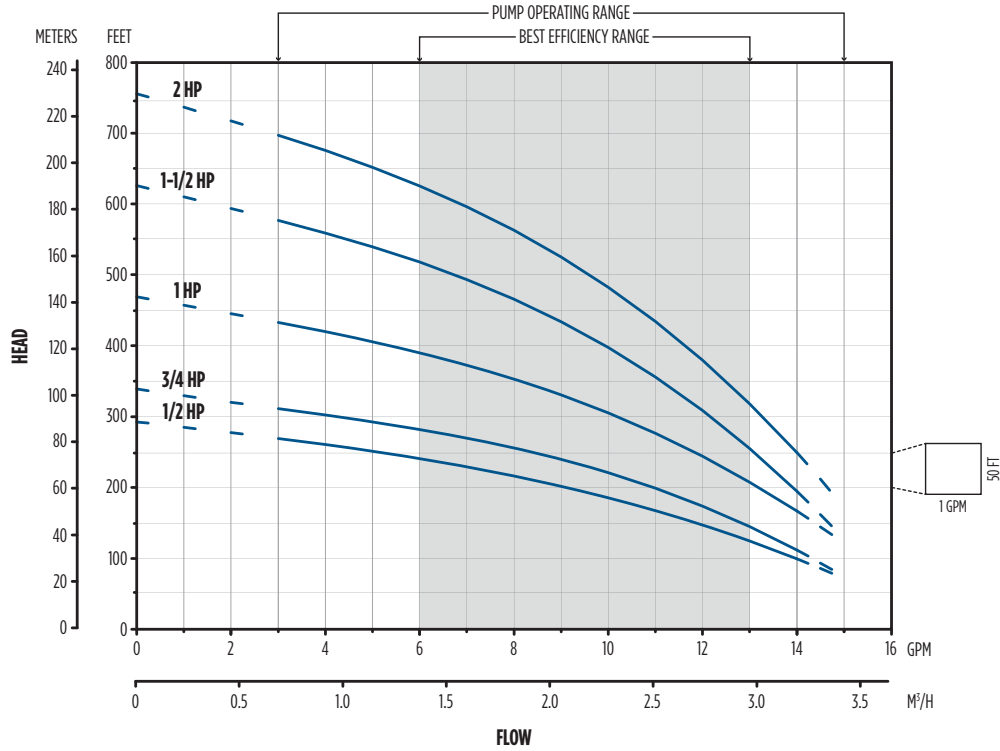
This graph shows the performance of BT4 Series pumps at a flow rate of 7 GPM. The y-axis represents head in meters and feet, and the x-axis represents flow in GPM and M³/H. The operating range is indicated by a shaded area between approximately 5.5 and 9.5 GPM.

Flow (GPM)	1-1/2 HP Head (FT)	1 HP Head (FT)	3/4 HP Head (FT)	1/2 HP Head (FT)
0	~800	~600	~450	~350
1	~780	~580	~430	~330
2	~760	~560	~410	~310
3	~740	~540	~390	~290
4	~720	~520	~370	~270
5	~700	~500	~350	~250
6	~680	~480	~330	~230
7	~660	~460	~310	~210
8	~640	~440	~290	~190
9	~620	~420	~270	~170
10	~600	~400	~250	~150
11	~580	~380	~230	~130

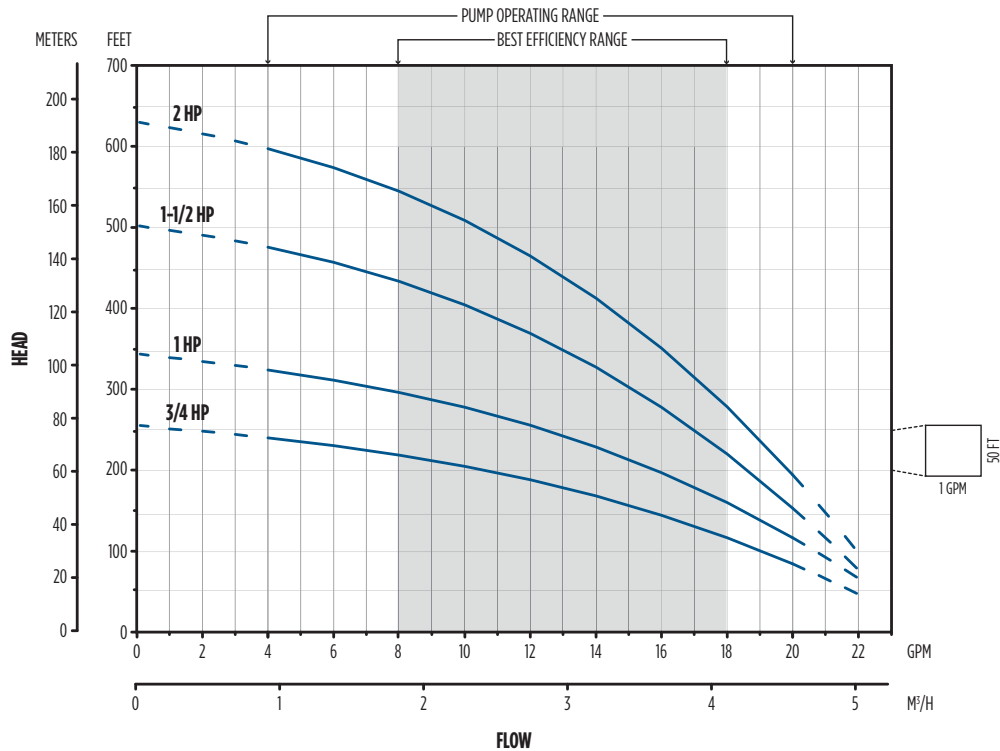
40

HIGH PERFORMANCE BOOSTER PUMPS - BT4 SERIES

PERFORMANCE: 10 GPM



PERFORMANCE: 15 GPM



HIGH PERFORMANCE BOOSTER PUMPS - BT4 SERIES

PERFORMANCE: 20 GPM

This graph shows the performance of BT4 series booster pumps at a flow rate of 20 GPM. The y-axis represents head in meters (0 to 180) and feet (0 to 600). The x-axis represents flow in GPM (0 to 30) and M³/H (0 to 7). Five performance curves are shown for 3 HP, 2 HP, 1-1/2 HP, 1 HP, and 3/4 HP. A shaded region indicates the pump operating range (approx. 15-25 GPM) and the best efficiency range (approx. 15-25 GPM). A callout shows a 50 FT head at 2.5 GPM.

Flow (GPM)	3 HP Head (FT)	2 HP Head (FT)	1-1/2 HP Head (FT)	1 HP Head (FT)	3/4 HP Head (FT)
0	170	135	110	80	55
5	165	130	105	75	50
10	155	120	100	70	45
15	145	110	95	65	40
20	130	100	85	55	35
25	115	90	75	45	30
30	95	75	60	30	20

PERFORMANCE: 25 GPM

This graph shows the performance of BT4 series booster pumps at a flow rate of 25 GPM. The y-axis represents head in meters (0 to 140) and feet (0 to 500). The x-axis represents flow in GPM (0 to 40) and M³/H (0 to 8). Four performance curves are shown for 3 HP, 2 HP, 1-1/2 HP, and 1 HP. A shaded region indicates the pump operating range (approx. 15-30 GPM) and the best efficiency range (approx. 15-30 GPM). A callout shows a 50 FT head at 2.5 GPM.

Flow (GPM)	3 HP Head (FT)	2 HP Head (FT)	1-1/2 HP Head (FT)	1 HP Head (FT)
0	145	110	90	65
5	140	105	85	60
10	130	100	80	55
15	120	95	75	50
20	105	85	65	40
25	90	75	55	30
30	70	60	40	20
35	50	45	25	10
40	30	25	10	5

42

HIGH PERFORMANCE BOOSTER PUMPS - BT4 SERIES 56C PUMP ENDS

FEATURES

- 56C standard motor bracket for use with any customer-supplied motor
- All stainless steel construction, including a stainless steel bracket with a rugged support foot for horizontal or vertical mounting and a handle for portability
- Built with Franklin's patented (U.S. patent) 7,290,984 Tri-Seal floating stage system, providing maximum efficiency, longevity, and performance
- Acetal impellers, Modified PPO diffusers, and 300-series stainless steel hub, eye seals, shaft, and shell
- Mechanical seal with standard phenolic/ceramic faces, FKM elastomers, and stainless steel components
- Shut-off pressures up to 270 psi, flow rates from 5-25 gpm



ORDERING INFORMATION

Model	HP	Suc. x Dis. (NPT)	GPM	Order No.	Wt. (lbs)
5BT03S4-PE	1/3	1" x 1"	5	95920507	18
5BT05S4-PE	1/2			95920509	19
5BT07S4-PE	3/4			95920512	20
5BT1S4-PE	1			95920515	21
7BT05S4-PE	1/2		95920708	7	18
7BT07S4-PE	3/4		95920710	19	
7BT1S4-PE	1		95920714	20	
7BT15S4-PE	1-1/2		95920719	24	
10BT05S4-PE	1/2		95921007	10	18
10BT07S4-PE	3/4		95921008	19	
10BT1S4-PE	1		95921011	20	
10BT15S4-PE	1-1/2		95921015	23	
10BT2S4-PE	2		95921018	24	
15BT07S4-PE	3/4		95921506	15	18
15BT1S4-PE	1		95921508	19	
15BT15S4-PE	1-1/2		95921512	20	
15BT2S4-PE	2		95921515	23	
20BT07S4-PE	3/4		95922005	20	18
20BT1S4-PE	1		95922007	19	
20BT15S4-PE	1-1/2		95922010	20	
20BT2S4-PE	2		95922012	23	
20BT3S4-PE	3		95922015	24	
25BT1S4-PE	1		95922506	25	18
25BT15S4-PE	1-1/2		95922508	19	
25BT2S4-PE	2		95922510	20	
25BT3S4-PE	3		95922513	24	