

## NON-CORROSIVE TRANSFER PUMPS - JCM SERIES

### FEATURES

- High-tech, non-corrosive plastic construction and stainless steel for components in contact with liquid
- Patented, air-cooled heat sink allows pump to run dry or in loss-of-prime conditions without damage to the shaft seal
- Floating eye seal between the closed impeller and the pump case maximizes pump efficiency for best flow and pressure
- Phenolic/Ceramic mechanical shaft seal with nitrile elastomers and 18-8SS components
- Accepts a standard 1-1/2" union (ordered separately)
- UL and CSA agency listings apply to clean water applications only



### ORDERING INFORMATION

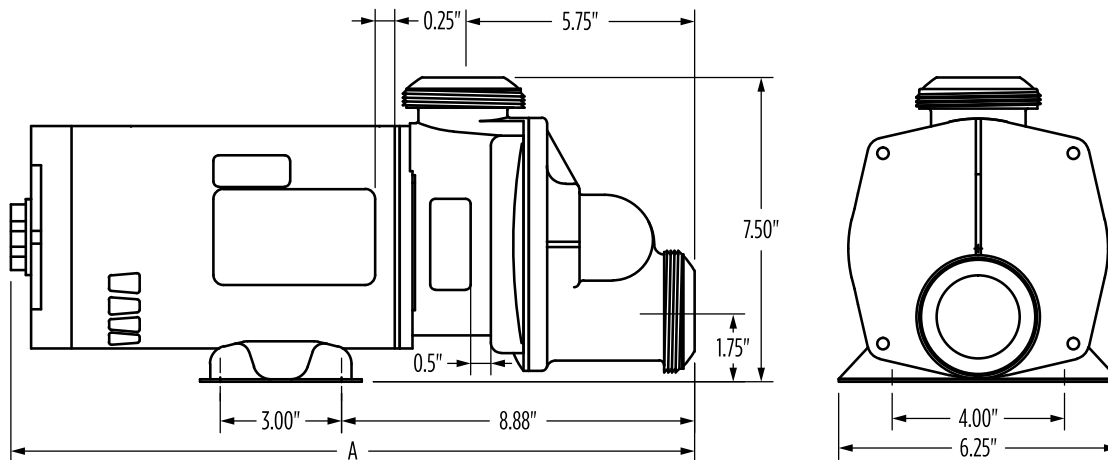
Model	HP	Dis. x Suc. (MNPT)	Voltage	S.F.A.	Order No.	Wt. (lbs)	
S7JCM	3/4	1-1/2" x 1-1/2"	115	9.8	94215696	22	
S1JCM	1		115	9.8	94215704	24	
S15JCM	1-1/2		115	12.4	94216587	26	
S2JCM	2		115/230	16.8/8.4	94215522	35	
S7JCM-A3*	3/4		115	10.5	94216405	22	
S1JCM-A3*	1		115	10.5	94216421	24	
S15JCM-A3*	1-1/2		115	12.4	94216603	26	
S2JCM-A3*	2		115	16.0	94216447	35	
Set of (2) S15UNS Straight Union					31175608	1	

\* Built-in air switch and 3' cord with standard three-prong plug

### DIMENSIONS

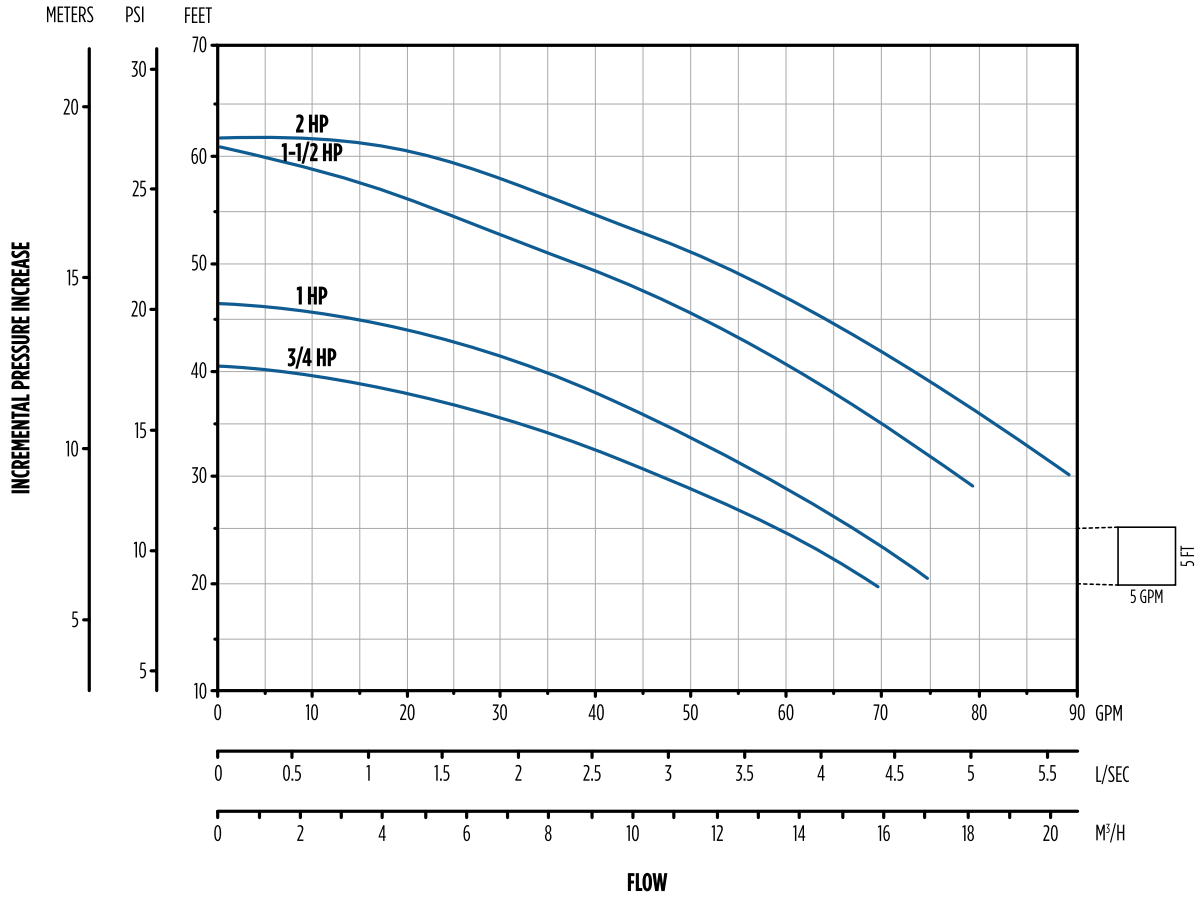
Model	HP	A
S7JCM / S7JCM-A3*	3/4	16.63"
S1JCM / S1JCM-A3*	1	16.63"
S15JCM / S15JCM-A3*	1-1/2	17.06"
S2JCM / S2JCM-A3*	2	17.06"

NOTE: Dimensions will vary according to motor manufacturer



## NON-CORROSIVE TRANSFER PUMPS - JCM SERIES

### PERFORMANCE



Model	HP	Total Head (ft)					Shut-off Head (ft)
		20	30	40	50	60	
S7JCM / S7JCM-A3*	3/4	70.0	47.0	6.0	-	-	40
SIJCM / SIJCM-A3*	1	-	57.0	34.0	-	-	46
SI5JCM / SI5JCM-A3*	1-1/2	-	78.0	61.0	38.0	4.0	61
S2JCM / S2JCM-A3*	2	-	89.0	73.0	53.0	22.0	62